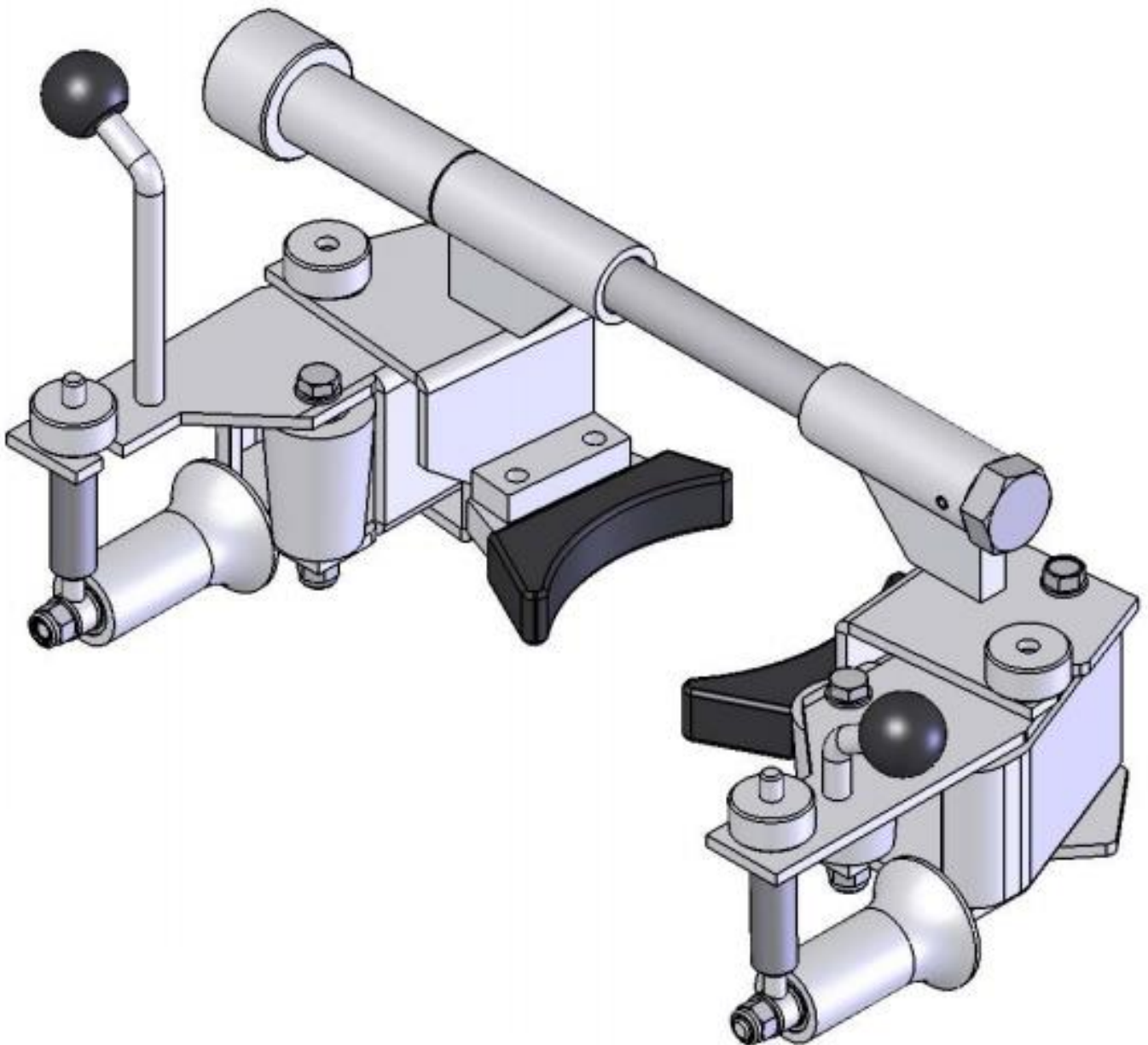


Parts List: CLY 680 300

Insulator Mounted Angle Roller

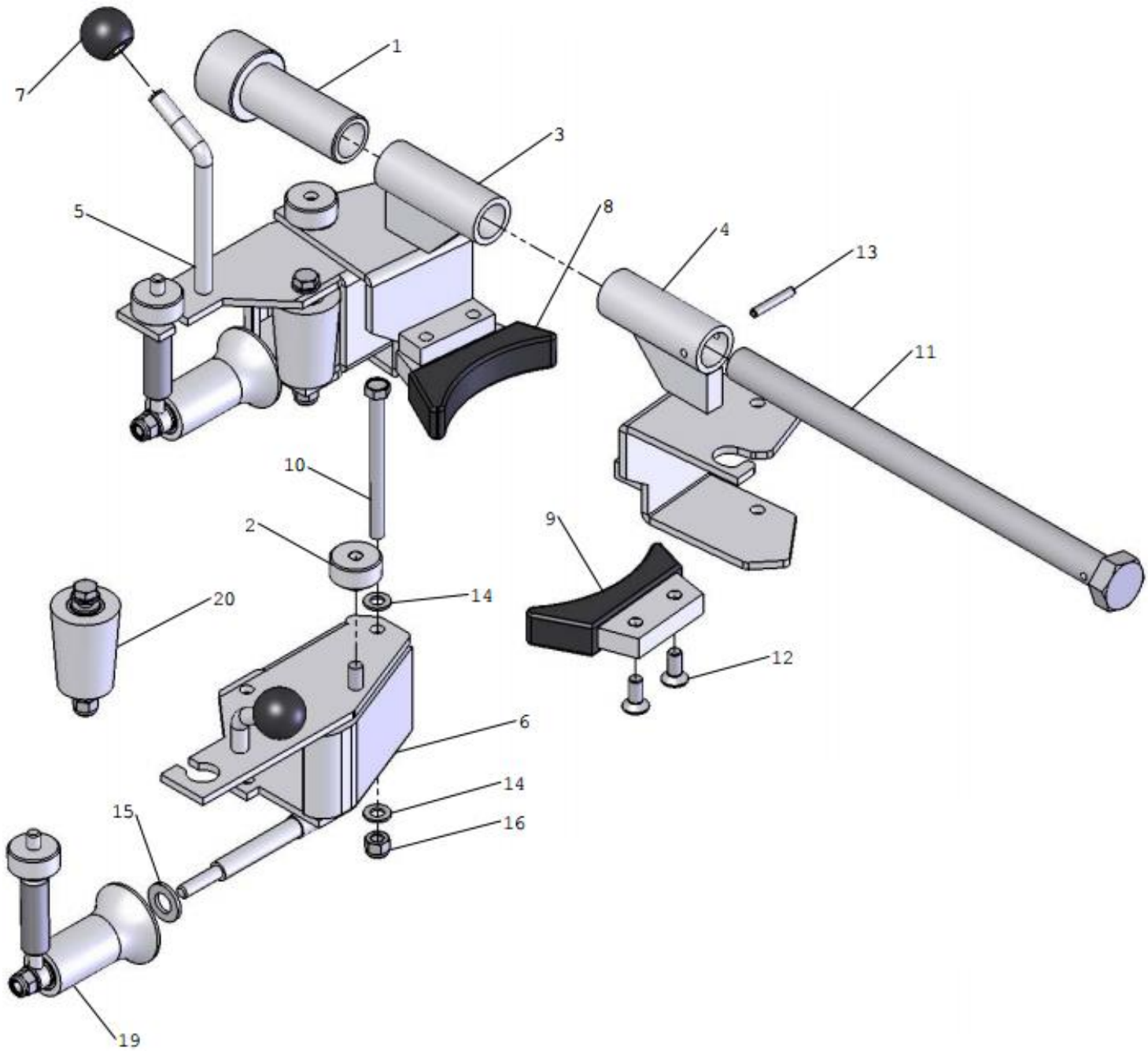


CLYDESDALE

Powering the Future

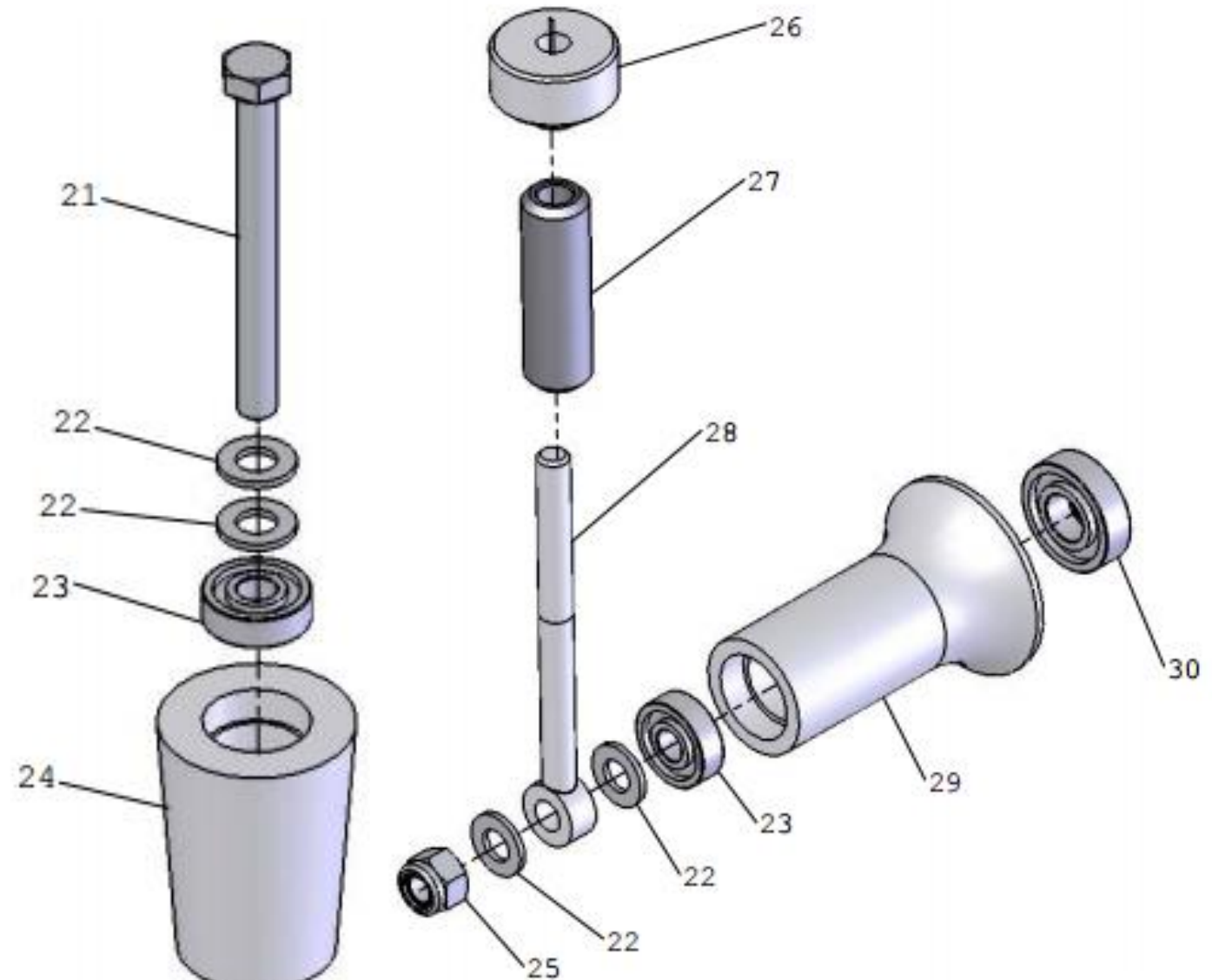
Parts List: CLY 680 300

Insulator Mounted Angle Roller



CLYDESDALE**Powering the Future****Parts List: CLY 680 300****Insulator Mounted Angle Roller**

Item No.	Part No.	Description	Qty
1	ZZ 680 0015	CLAMP BOLT KNURLED NUT	1
2	ZZ 680 0016	M8 KNURLED NUT	4
3	ZZ 680 0017	LH CLAMP BODY	1
4	ZZ 680 0018	RH CLAMP BODY	1
5	ZZ 680 0019	LH ROLLER BODY	1
6	ZZ 680 0020	RH ROLLER BODY	1
7	ZZ 200 003	BLACK BALL M10 X 30MM	2
8	ZZ 680 0022	LH RUBBER MOUNT FOOT	1
9	ZZ 680 0023	RH RUBBER MOUNT FOOT	1
10	ZZ 100 0895	M8 X 95MM HEX BOLT PLATED	2
11	ZZ 680 0024	CLAMP BOLT	1
12	ZZ 101 0820	M8 X 20 C/SUNK SCREW PLATED	4
13	ZZ 103 0530	M5 X 30MM SPRING PIN	1
14	ZZ 110 08	M8 NORM WASHER	16
15	ZZ 110 12	M12 NORM WASHER	2
16	ZZ 120 08	M8 NYLOCK NUT	6
19	SEE PAGE 4		
20	SEE PAGE 4		



Item No.	Part No.	Description	Qty
21	ZZ 100 0880	M8 X 80MM HEX BOLT PLATED	2
22	ZZ 110 08	M8 NORM WASHER	16
23	ZZ 140 001	BEARING 608 2RS	6
24	ZZ 680 0011	VERTICAL ROLLER TAPERED	2
25	ZZ 120 08	M8 NYLOCK NUT	6
26	ZZ 680 0016	M8 KNURLED NUT	4
27	ZZ 680 0014	NYLON CONDUCTOR ARRESTOR ROLLER	2
28	ZZ 680 0013	CONDUCTOR ARRESTOR ROLLER SHAFT	2
29	ZZ 680 0012	HORIZONTAL SUPPORT ROLLER	2
30	ZZ 140 002	BEARING 6001 2RS	2