

# CLY 760 2500: 2500KG CABLE DRUM TRAILER Data Sheet

# CLYDESDALE

## Powering the Future

**Clydesdale Ltd.**  
Instal House, 3 Sunbeam Rd  
Woburn Road Ind. Est., Kempston  
Bedfordshire MK42 7BZ  
United Kingdom

T: +44 (0) 1234 855 855  
F: +44 (0) 1234 855 800  
E: sales@clydesdale.ltd.uk  
www.clydesdale.ltd.uk

**Variable Shaft Mounting:**  
Allows use with a wide range of drum sizes.

**Locking Tabs:**  
Secure drum in raised position.

**Hot-Dip Galvanised Finish:**  
Galvanised frame and chassis for superior corrosion resistance.

**Accessory Storage:**  
Toolbox fitted for storage to avoid misplacing of pins and accessories.

**Sturdy Jockey Wheel:**  
60mm diam. serrated construction with quick release clamp bracket for easy removal.

**Braked Coupling Head:**  
With the following head options:  
40mm Eye, 50mm Ball Head,  
76mm NATO eye.

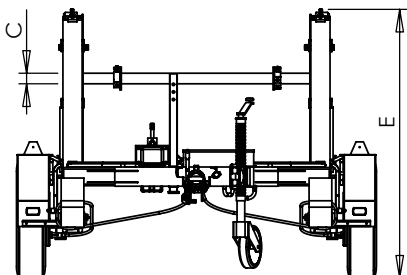
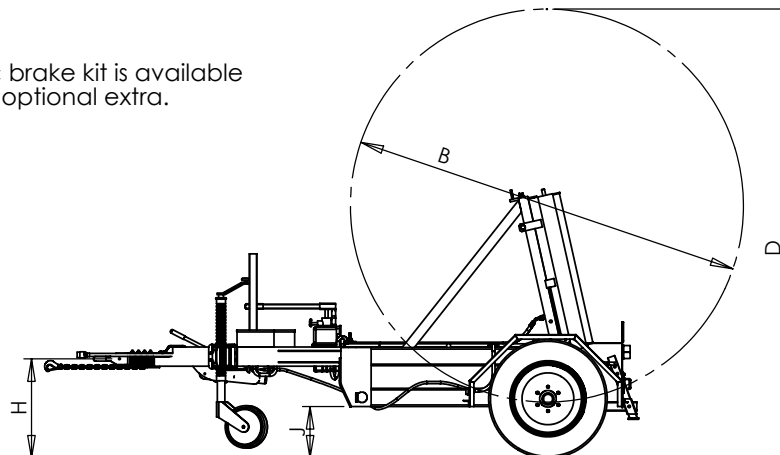
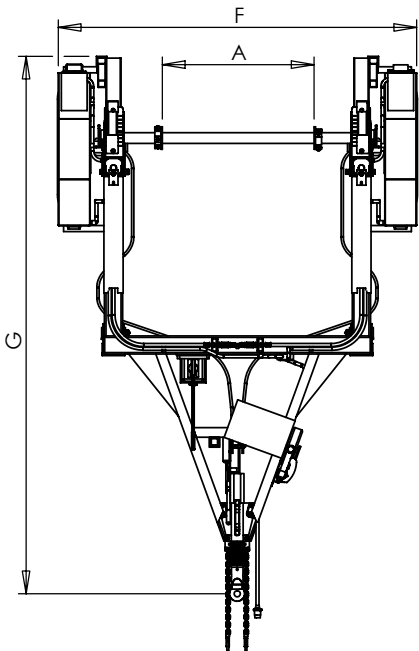
**Breakaway Chains:**  
Two heavy duty chains with quick release hooks fitted as standard.

**Controlled Hydraulic Lifting:**  
Drum is raised by pumping single pump handle. Pressure to each ram can be controlled by two ball valves for safe, level lifting.

**RTA Compliant Lighting:**  
Fitted as standard including fog lamp and square style number plate clips.

**Low Maintenance Suspension:**  
Two grease points on front pivots. Maintenance free, robust rear rubber spring units.

A disc brake kit is available as an optional extra.



<b>Max Drum Width</b>	A	1400mm
<b>Max Drum Diameter</b>	B	2600mm
<b>Min Drum Hole Diameter</b>	C	70mm
<b>Max Loaded Trailer Height</b>	D	2970mm
<b>Max Unloaded Trailer Height</b>	E	1790mm
<b>Trailer Width</b>	F	2380mm
<b>Trailer Length</b>	G	3555mm
<b>Coupling Height (when level)</b>	H	660mm
<b>Road Clearance (when level)</b>	J	340mm
<b>Max Drum Weight</b>		2500kg
<b>Unladen Weight</b>		740kg
<b>Max Laden Weight</b>		3240kg
<b>Min Drum Diameter</b>		900mm