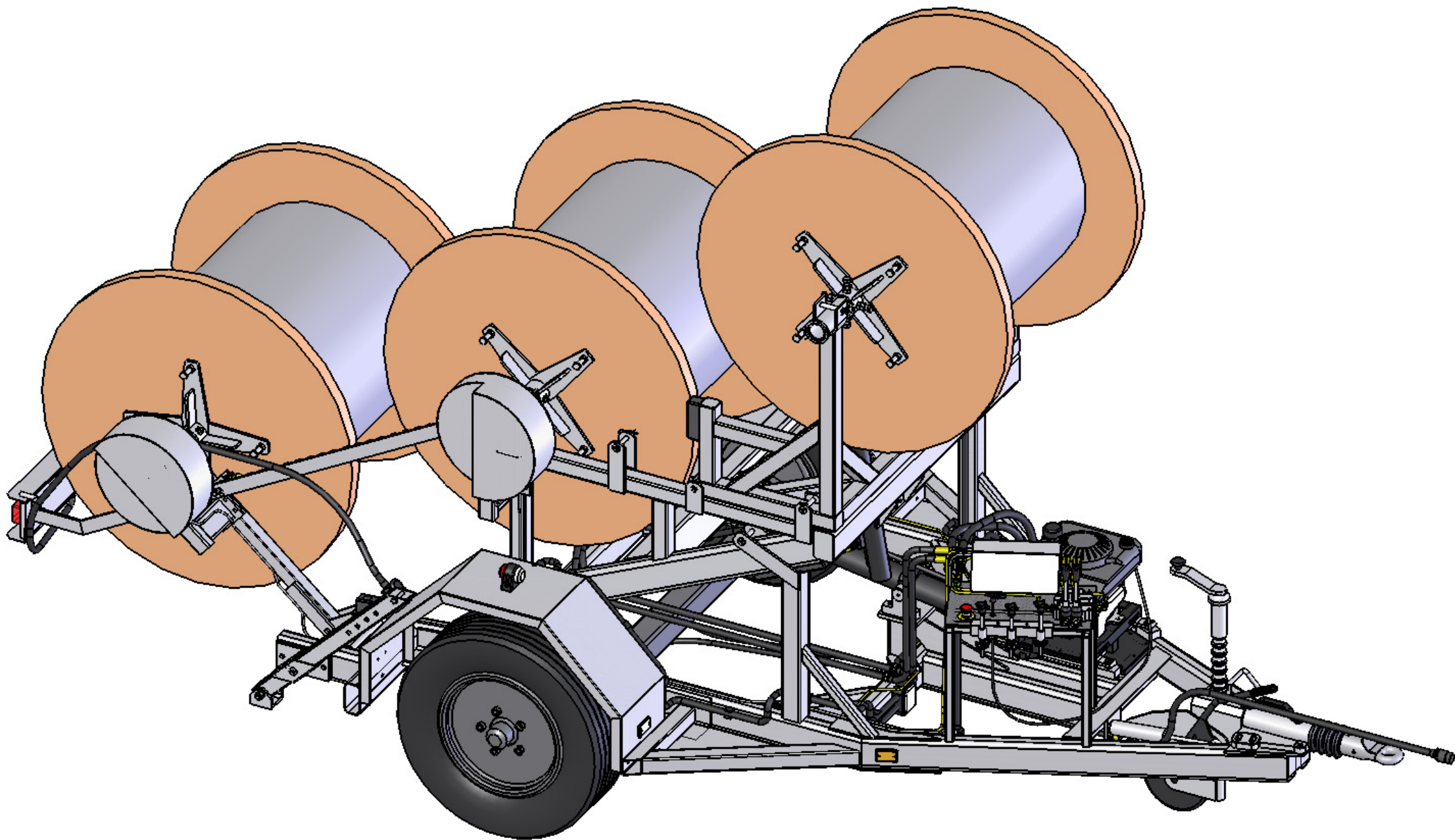


CLY 760 3-710 3x710kg Cable Drum Drum Trailer

CLY 760 3-670 & ENG 1071-3 3x670kg Cable Drum Trailer

Illustrated Parts List

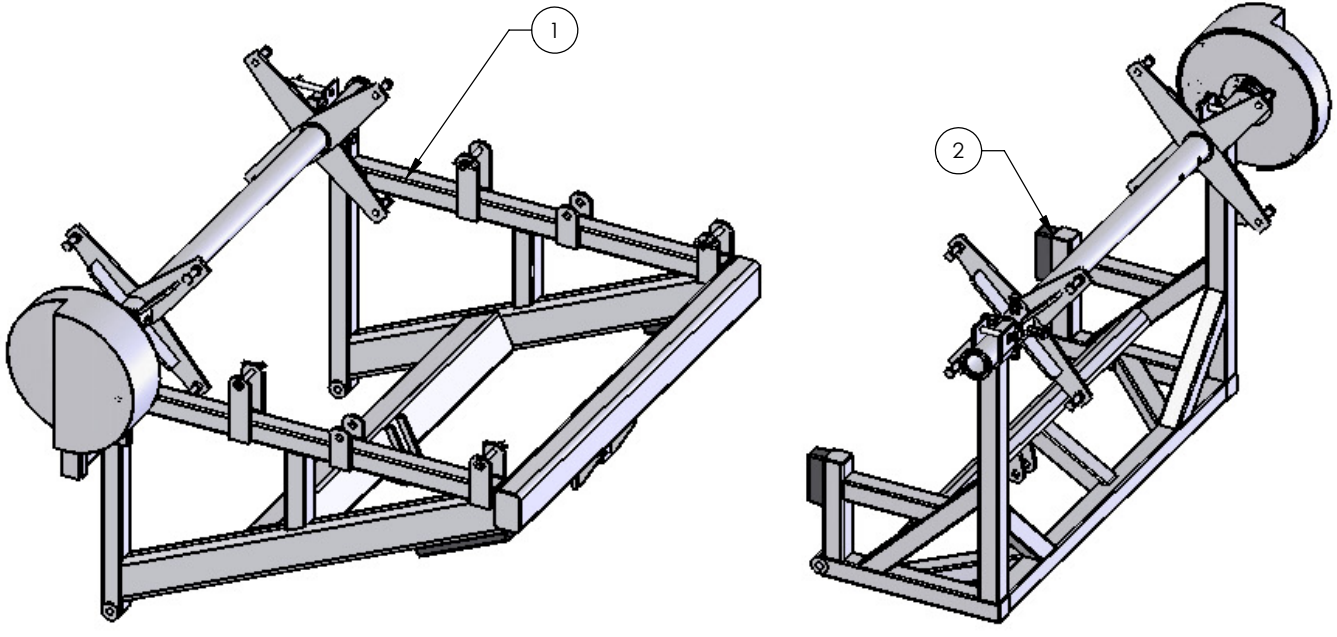


PLEASE QUOTE ANY RELEVANT SERIAL NUMBERS WHEN ORDERING SPARES.

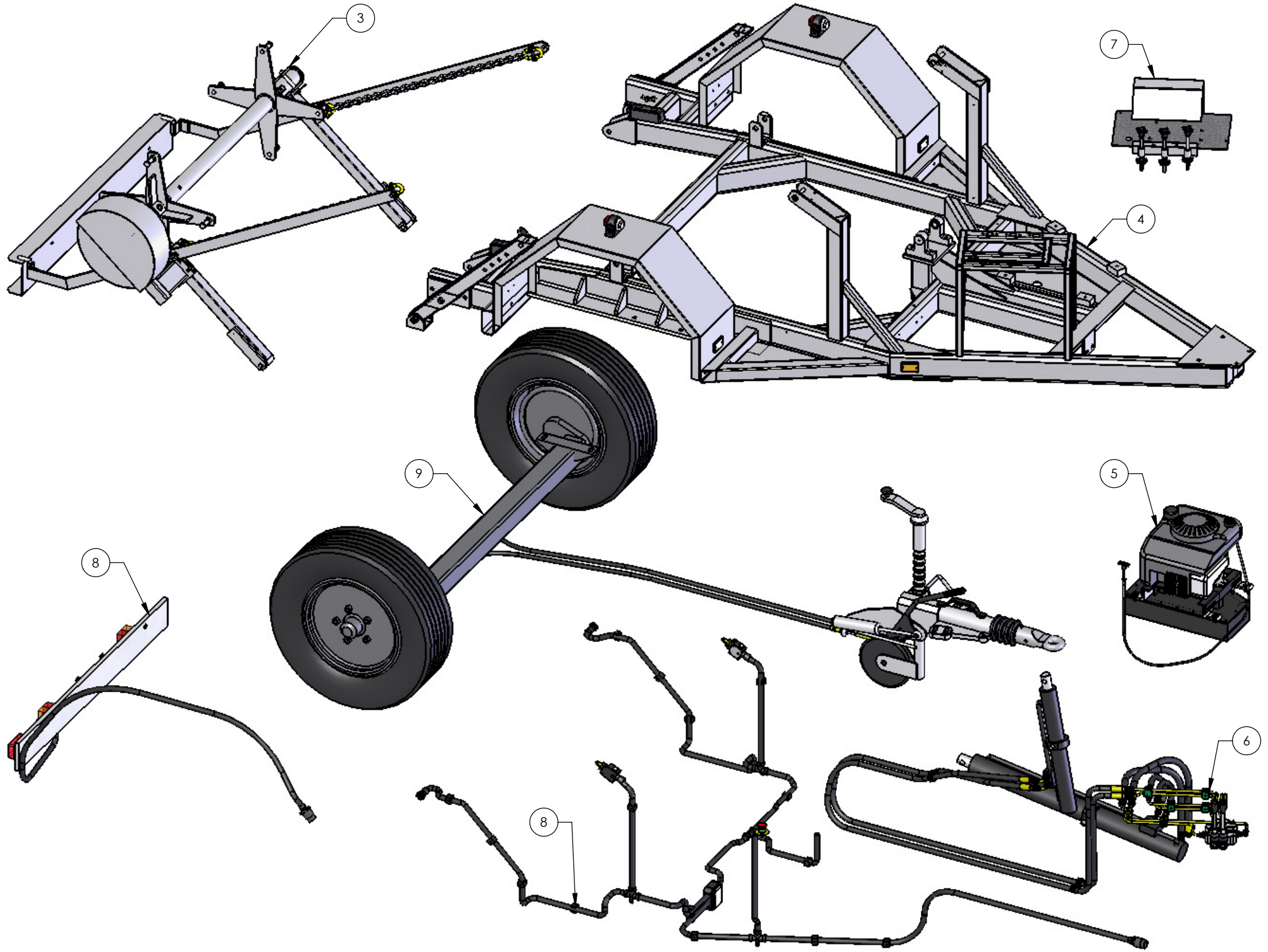
Clydesdale Ltd.

Instal House, 3 Sunbeam Road,
Woburn Road Ind. Est., Kempston,
Bedfordshire MK42 7BZ
United Kingdom

Tel: +44 (01234) 855855
Fax: +44 (01234) 855800
E-mail: sales@clydesdale.ltd.uk
www.clydesdale.ltd.uk



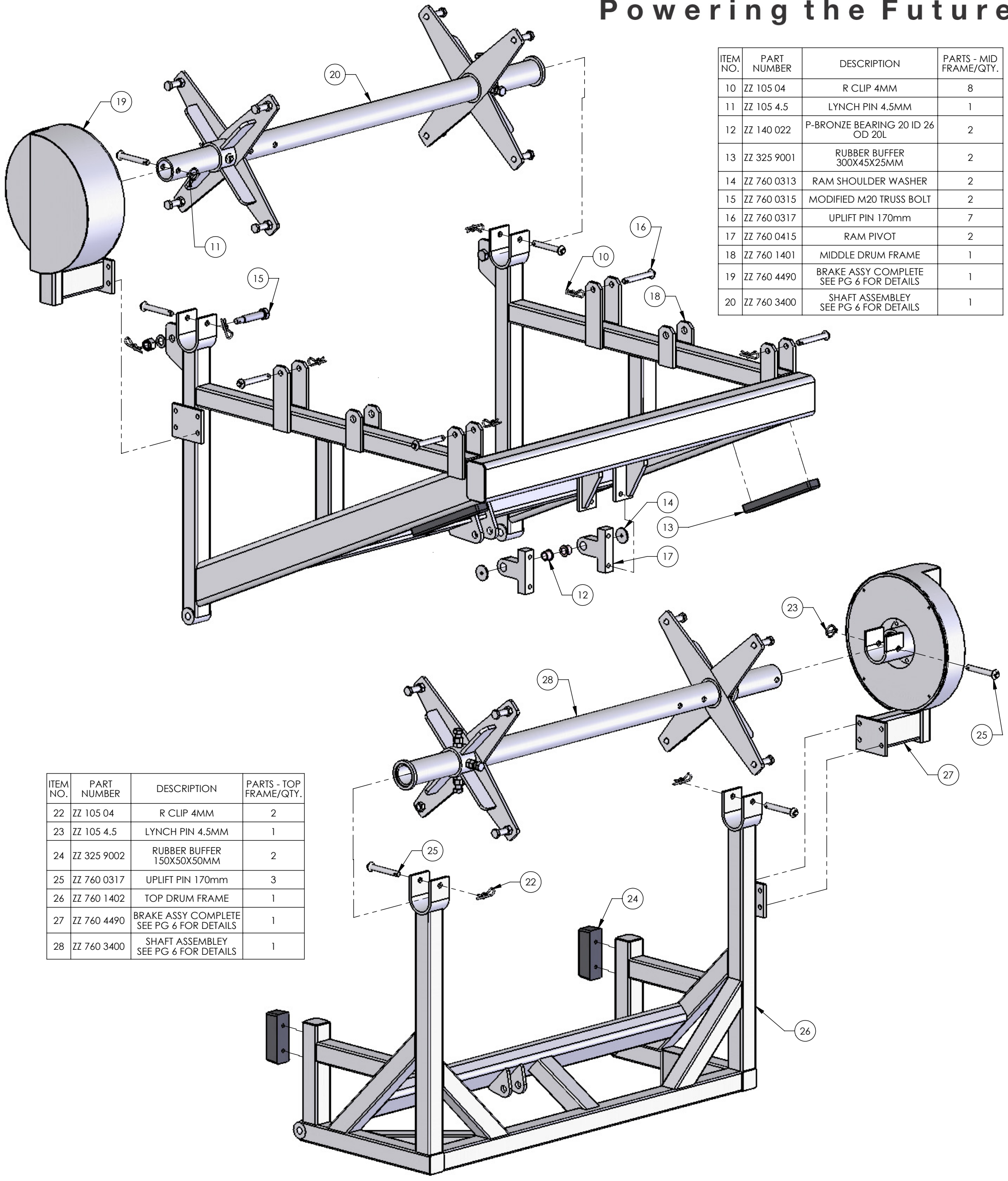
ITEM NO.	SEE PAGE NUMBER	DESCRIPTION
1	3	MIDDLE DRUM FRAME ASSY
2	3	TOP DRUM FRAME ASSY
3	4	REAR DRUM FRAME ASSY
4	4	CHASSIS ASSY
5	5	HYDRAULIC POWER PACK
6	5	HYDRAULIC SYSTEM
7	6	BRAKE SYSTEM
8	6	ELECTRICAL SYSTEM
9	7	RUNNING GEAR



Clydesdale Ltd.

Instal House, 3 Sunbeam Road,
Woburn Road Ind. Est., Kempston,
Bedfordshire MK42 7BZ
United Kingdom

Tel: +44 (01234) 855855
Fax: +44 (01234) 855800
E-mail: sales@clydesdale.ltd.uk
www.clydesdale.ltd.uk



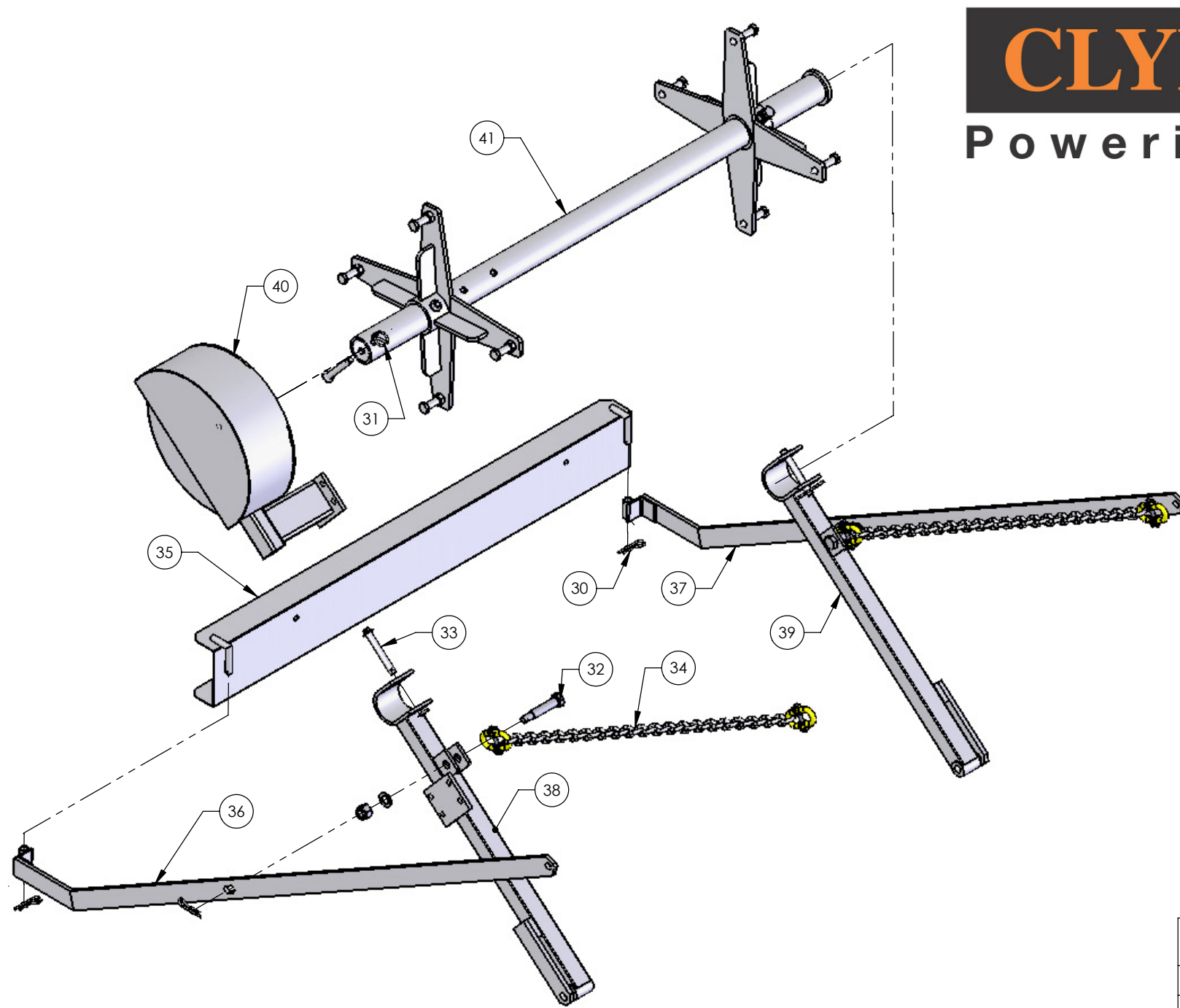
ITEM NO.	PART NUMBER	DESCRIPTION	PARTS - MID FRAME/QTY.
10	ZZ 105 04	R CLIP 4MM	8
11	ZZ 105 4.5	LYNCH PIN 4.5MM	1
12	ZZ 140 022	P-BRONZE BEARING 20 ID 26 OD 20L	2
13	ZZ 325 9001	RUBBER BUFFER 300X45X25MM	2
14	ZZ 760 0313	RAM SHOULDER WASHER	2
15	ZZ 760 0315	MODIFIED M20 TRUSS BOLT	2
16	ZZ 760 0317	UPLIFT PIN 170mm	7
17	ZZ 760 0415	RAM PIVOT	2
18	ZZ 760 1401	MIDDLE DRUM FRAME	1
19	ZZ 760 4490	BRAKE ASSY COMPLETE SEE PG 6 FOR DETAILS	1
20	ZZ 760 3400	SHAFT ASSEMBLY SEE PG 6 FOR DETAILS	1

ITEM NO.	PART NUMBER	DESCRIPTION	PARTS - TOP FRAME/QTY.
22	ZZ 105 04	R CLIP 4MM	2
23	ZZ 105 4.5	LYNCH PIN 4.5MM	1
24	ZZ 325 9002	RUBBER BUFFER 150X50X50MM	2
25	ZZ 760 0317	UPLIFT PIN 170mm	3
26	ZZ 760 1402	TOP DRUM FRAME	1
27	ZZ 760 4490	BRAKE ASSY COMPLETE SEE PG 6 FOR DETAILS	1
28	ZZ 760 3400	SHAFT ASSEMBLY SEE PG 6 FOR DETAILS	1

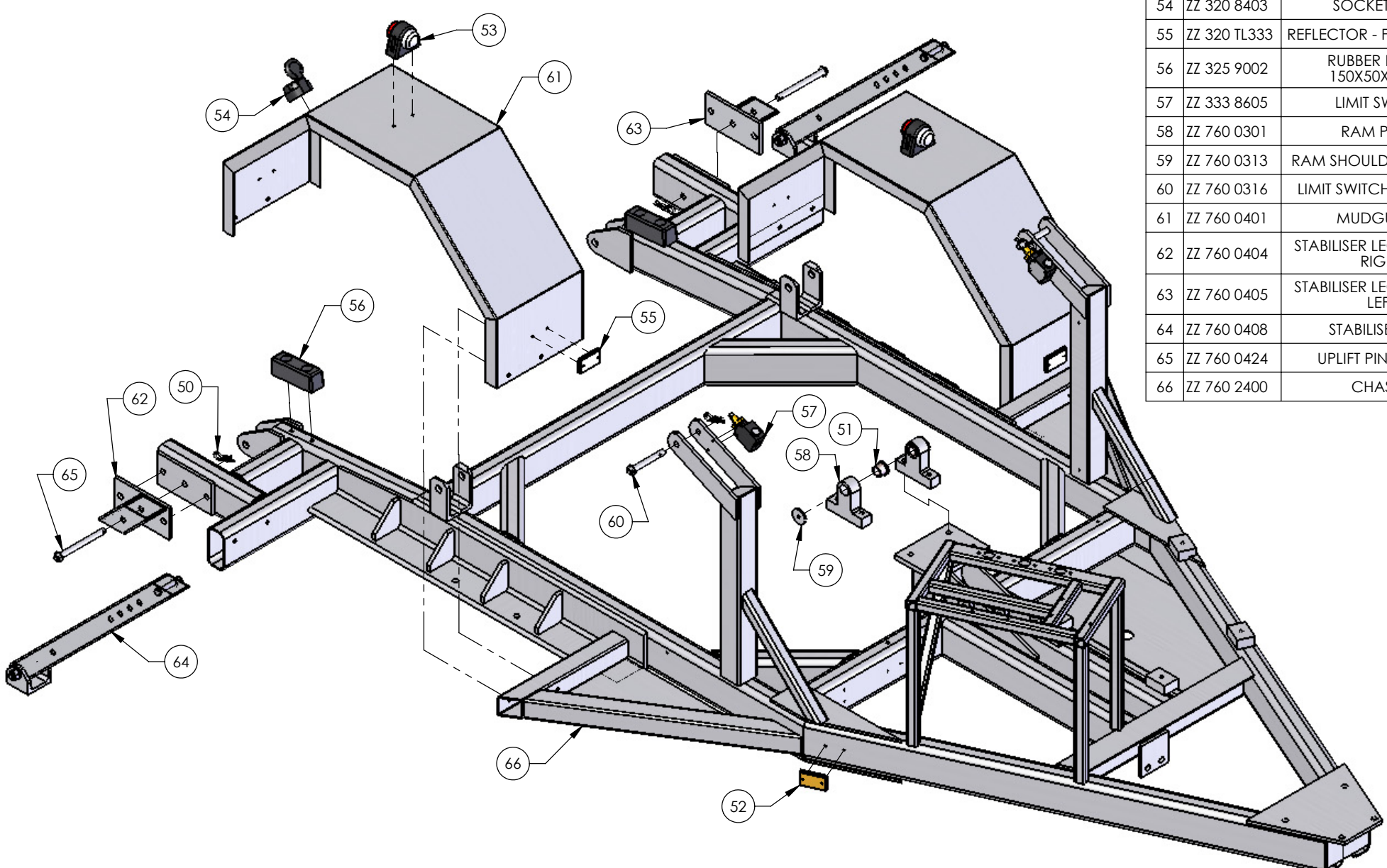
Clydesdale Ltd.

Instal House, 3 Sunbeam Road,
Woburn Road Ind. Est., Kempston,
Bedfordshire MK42 7BZ
United Kingdom

Tel: +44 (01234) 855855
Fax: +44 (01234) 855800
E-mail: sales@clydesdale.ltd.uk
www.clydesdale.ltd.uk



ITEM NO.	PART NUMBER	DESCRIPTION	PARTS - REAR FRAME/QTY.
30	ZZ 105 04	R CLIP 4MM	6
31	ZZ 105 4.5	LYNCH PIN 4.5MM	1
32	ZZ 760 0315	MODIFIED M20 TRUSS BOLT	2
33	ZZ 760 0317	UPLIFT PIN 170mm	3
34	ZZ 760 0412	BOTTOM FRAME CHAIN	2
35	ZZ 760 0418	TRAILERBOARD BRACKET	1
36	ZZ 760 0422	ANTI-BOUNCE STRAP RIGHT	1
37	ZZ 760 0423	ANTI-BOUNCE STRAP LEFT	1
38	ZZ 760 1403	BOTTOM RIGHT DRUM ARM	1
39	ZZ 760 1404	BOTTOM LEFT DRUM ARM	1
40	ZZ 760 4490	BRAKE ASSY COMPLETE SEE PG 6 FOR DETAILS	1
41	ZZ 760 3400	SHAFT ASSEMBLY SEE PG6 FOR DETAILS	1



ITEM NO.	PART NUMBER	DESCRIPTION	PARTS - CHASSIS/QTY.
50	ZZ 105 04	R CLIP 4MM	4
51	ZZ 140 021	P-BRONZE BEARING ID25XOD32XL25	2
52	ZZ 320 8102	REFLECTOR - ORANGE SIDE	2
53	ZZ 320 8205	LAMP - SIDE RED/WHITE MARKER	2
54	ZZ 320 8403	SOCKET 7 PIN	1
55	ZZ 320 TL333	REFLECTOR - FRONT WHITE	2
56	ZZ 325 9002	RUBBER BUFFER 150X50X50MM	2
57	ZZ 333 8605	LIMIT SWITCH	2
58	ZZ 760 0301	RAM PIVOT	2
59	ZZ 760 0313	RAM SHOULDER WASHER	2
60	ZZ 760 0316	LIMIT SWITCH UPLIFT PIN	2
61	ZZ 760 0401	MUDGUARD	2
62	ZZ 760 0404	STABILISER LEG BRACKET RIGHT	1
63	ZZ 760 0405	STABILISER LEG BRACKET LEFT	1
64	ZZ 760 0408	STABILISER LEG	2
65	ZZ 760 0424	UPLIFT PIN 180mm	2
66	ZZ 760 2400	CHASSIS	1

Clydesdale Ltd.

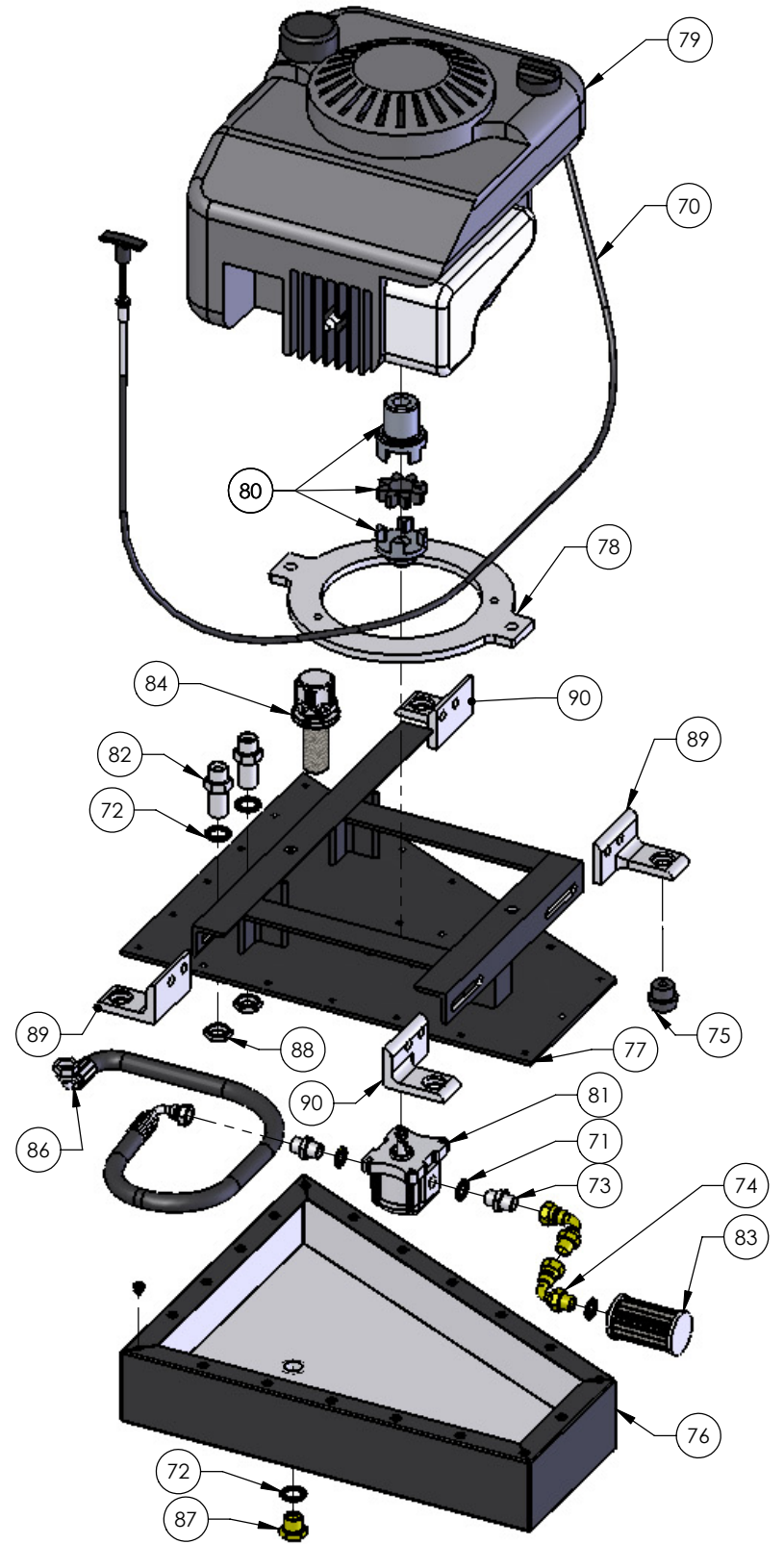
Instal House, 3 Sunbeam Road,
Woburn Road Ind. Est., Kempston,
Bedfordshire MK42 7BZ
United Kingdom

Tel: +44 (01234) 855855
Fax: +44 (01234) 855800
E-mail: sales@clydesdale.ltd.uk
www.clydesdale.ltd.uk

ITEM NO.	PART NUMBER	DESCRIPTION	QTY.
70	902 106	THROTTLE CABLE	1
71	ZZ 150 021	HYDRAULICS - DOWTY WASHER 3/8"	3
72	ZZ 150 022	HYDRAULICS - DOWTY WASHER 1/2"	3
73	ZZ 150 031	HYDRAULICS - ADAPTER M/M 3/8-3/8" BSPP	2
74	ZZ 150 038	3/8" F/M BSP 90DEG ADAPTER	2
75	ZZ 334 F2737T	VIBRATION BUSH	1
76	ZZ 760 5303	TANK BASE	1
77	ZZ 760 5304	TANK LID	1
78	ZZ 760 5305	ENGINE MOUNT RING	1
79	ZZ 510 0001	B&S 6HP QUANTUM ENGINE	1
80	ZZ 150 007	COUPLING RDC80-GP1	1
81	ZZ 150 009	PUMP RHP027 AT CLOCKWISE ROTATION	1
82	ZZ 150 035	HYDRAULICS - ADAPTER BULKHEAD 1/2-1/2" BSPP	2
83	ZZ 150 060	SUCTION FILTER 3/8" 12LPM	1
84	ZZ 150 008	FILLER CAP W/FILTER	1
85	M6 INSERT	M6 SHEET METAL THREADED INSERT	19
86	ZZ 150 040	HOSE ASSY NO1	1
87	ZZ 150 081	HYD - PLUG 1/2" BSP	1
88	ZZ 150 029	HYD - NUT B/HEAD 1/2" BSP	2
89	ZZ 760 5306	BOLT ON FOOT 1	2
90	ZZ 760 5307	BOLT ON FOOT 2	2



NOTE: ITEM NO. 108: ZZ 150 041, HYD HOSE ASSY 3M PARTIALLY HIDDEN FOR CLARITY

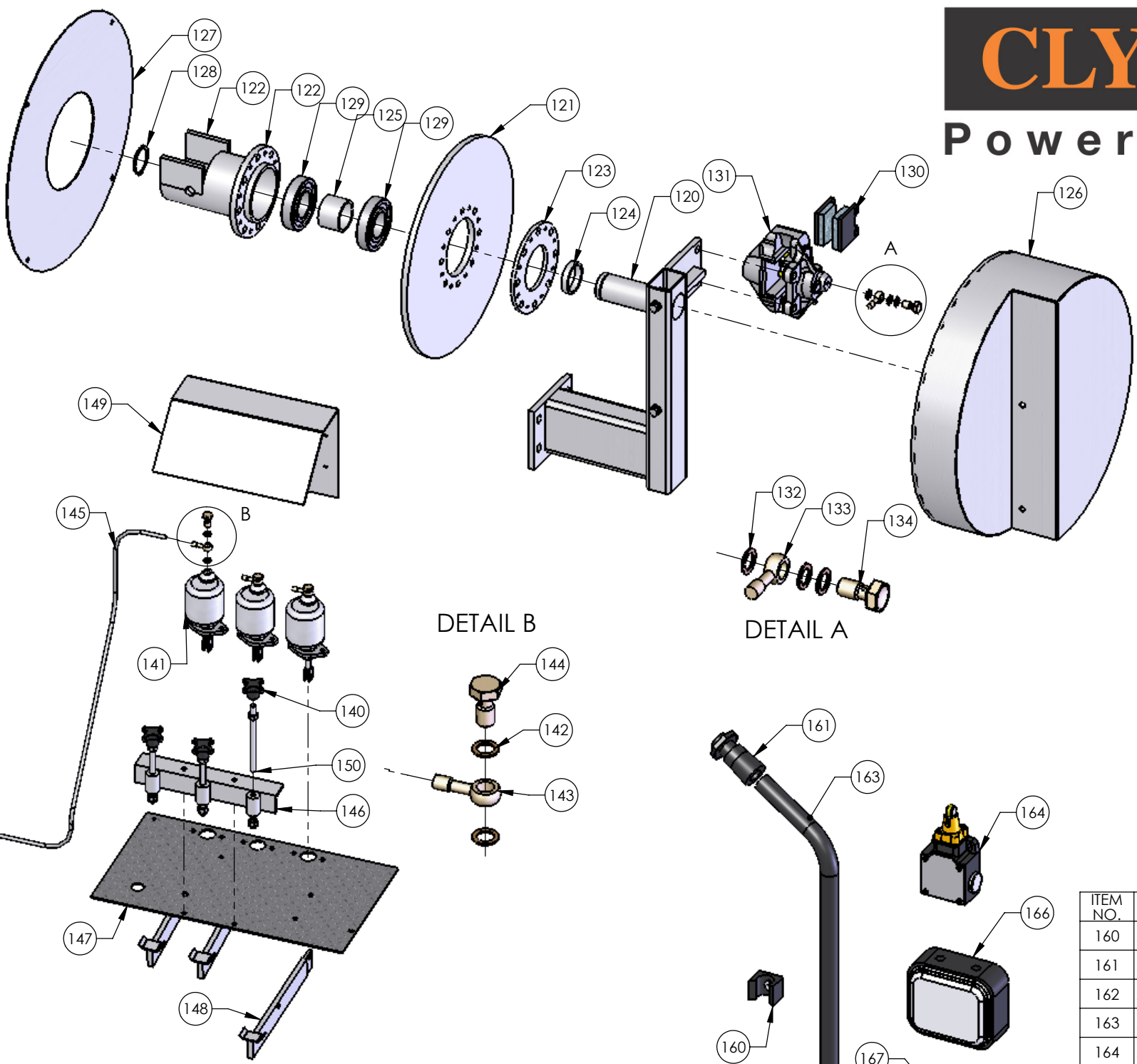


ITEM NO.	PART NUMBER	DESCRIPTION	PARTS - HYDRAULICS/QTY.
100	ZZ 150 004	HYD RAM 80MM BORE 900MM STROKE	1
101	ZZ 150 005	HYD RAM 65MM BORE 474MM STROKE	1
102	ZZ 150 006	DUOBLE BANK CONTROL VALVE	1
103	ZZ 150 021	HYDRAULICS - DOWTY WASHER 3/8"	8
104	ZZ 150 022	HYDRAULICS - DOWTY WASHER 1/2"	2
105	ZZ 150 028	P-TYPE PIPE CLIP	4
106	ZZ 150 031	HYDRAULICS - ADAPTER M/M 3/8-3/8" BSPP	4
107	ZZ 150 038	3/8" F/M BSP 90DEG ADAPTER	2
108	ZZ 150 041	HYD HOSE ASSY 3M	2
109	ZZ 150 045	HYD HOSE ASSY NO.6 0.5M	2
110	ZZ 150 046	HYD HOSE ASSY NO.7	2
111	ZZ 150 082	HYD ADAPTER 3/8" BSP TO 8MM PIPE	8
112	ZZ 150 083	HYD ADAPTER 1/2" BSP TO 8MM PIPE	4
113	ZZ 150 084	HYD ADAPTER 90DEG ELBOW 8MM	1
114	ZZ 150 085	HYD DOUBLE 8MM PIPE CLAMP	6
115	ZZ 150 086	HYD PIPE 8MM ZINC PLATED	6

Clydesdale Ltd.

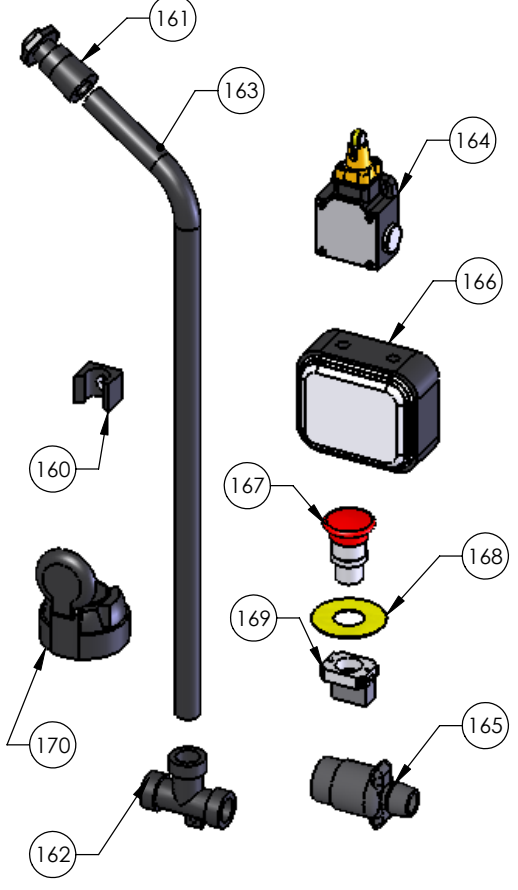
Instal House, 3 Sunbeam Road,
Woburn Road Ind. Est., Kempston,
Bedfordshire MK42 7BZ
United Kingdom

Tel: +44 (01234) 855855
Fax: +44 (01234) 855800
E-mail: sales@clydesdale.ltd.uk
www.clydesdale.ltd.uk

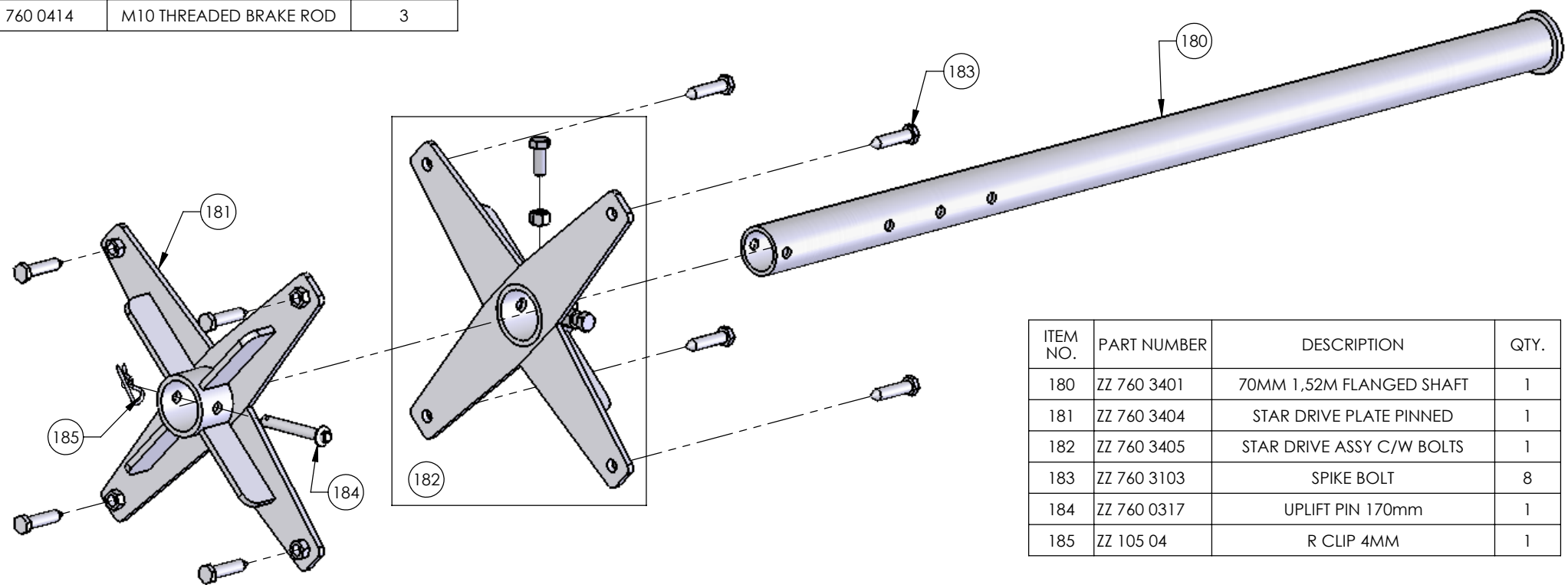


ITEM NO.	PART NUMBER	DESCRIPTION	QTY.
120	ZZ 760 4401	BRAKE BRACKET	1
121	ZZ 760 4403	BRAKE DISC	1
122	ZZ 760 4404	BRAKE HUB	1
123	ZZ 760 4405	BEARING COVERPLATE	1
124	ZZ 760 4406	SPACER 1	1
125	ZZ 760 4407	SPACER 2	1
126	ZZ 760 4416	BRAKE GUARD BODY	1
127	ZZ 760 4417	BRAKE GUARD REAR COVER	1
128	ZZ 111 40E	EXT CIRCLIP 40MM	1
129	ZZ 140 009	BEARING 6208 2RS	2
130	ZZ 331 0001	BRAKE PAD	2
131	ZZ 331 0002	BRAKE CALIPER	1
132	ZZ 332 0005	COPPER WASHER	3
133	ZZ 332 0006	BANJO	1
134	ZZ 332 0010	CALIPER BANJO BOLT	1
135	ZZ 110 08	M8 NORM WASHER	4
136	ZZ 110 08L	M8 LOCK WASHER	2
137	ZZ 100 0820.	M8 X 20 BOLT	2

ITEM NO.	PART NUMBER	DESCRIPTION	PARTS - BRAKES/QTY.
140	ZZ 200 008	M10 PLASTIC PALM GRIP	3
141	ZZ 331 0005	MASTER CYLINDER	3
142	ZZ 332 0005	COPPER WASHER	6
143	ZZ 332 0006	BANJO	3
144	ZZ 332 0008	CYLINDER BANJO BOLT	3
145	ZZ 332 60003	ARMOURED HOSE PER M	1
146	ZZ 760 0309	BRAKE SCREW BANK	1
147	ZZ 760 0402	CONTROL BASE	1
148	ZZ 760 0410	LEVER	3
149	ZZ 760 0413	CYLINDER GUARD	1
150	ZZ 760 0414	M10 THREADED BRAKE ROD	3



ITEM NO.	PART NUMBER	DESCRIPTION	QTY.
160	ZZ 333 8601	CONDUIT CLIP	1
161	ZZ 333 8602	CONDUIT STRAIGHT ADAPTOR	1
162	ZZ 333 8603	CONDUIT T PIECE	1
163	ZZ 333 8604	ADAPTAFLEX CONDUIT M20	1
164	ZZ 333 8605	LIMIT SWITCH	1
165	ZZ 320 8402	7-PIN PLUG	1
166	ZZ 320 8401	JUNCTION BOX 8 WAY	1
167	ZZ 320 ZB2BS844	E-STOP BUTTON	1
168	ZZ 320 ZB2BY9330	E STOP DECAL	1
169	ZZ 320 ZB2BZ101	SWITCH	1
170	ZZ 320 8403	SOCKET 7 PIN	1



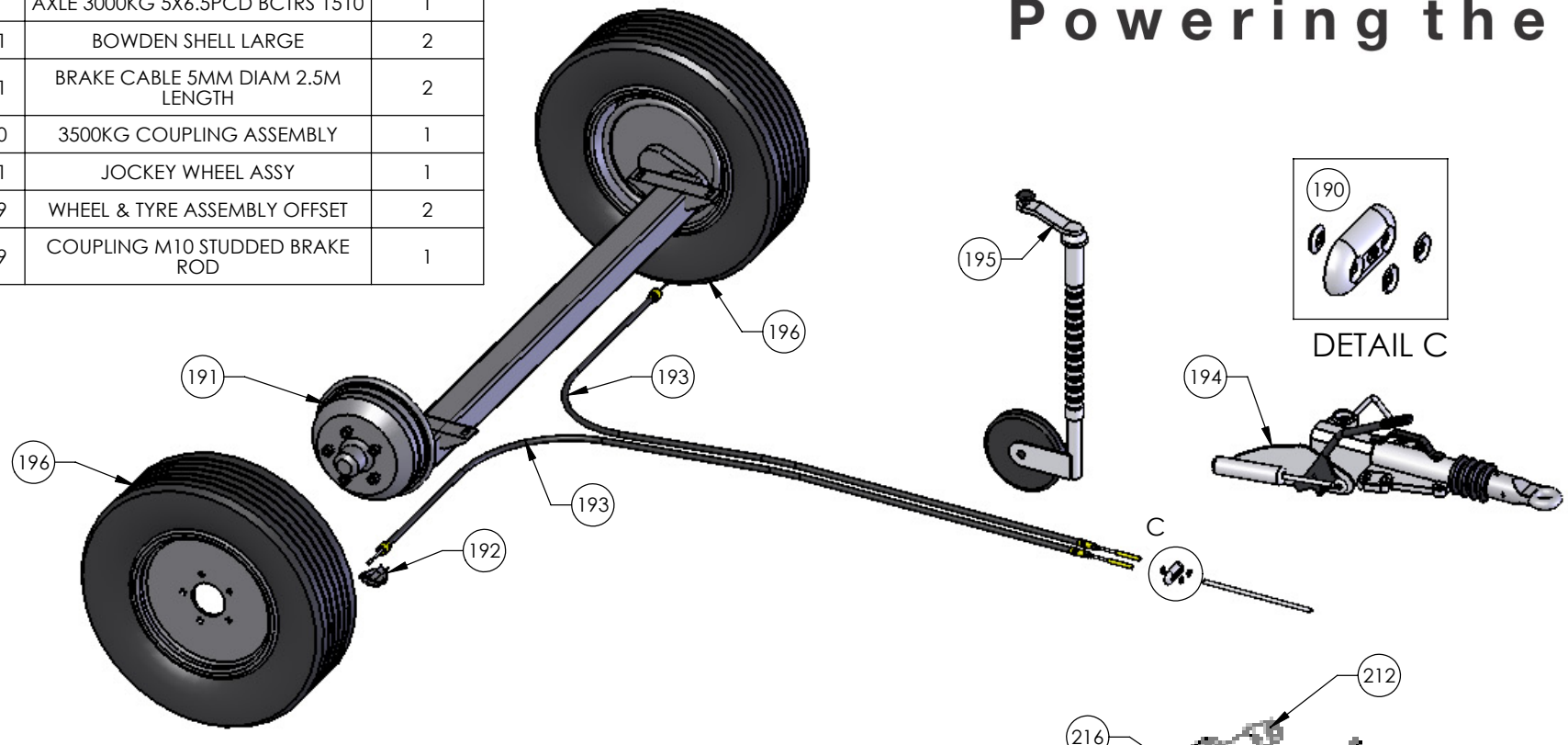
ITEM NO.	PART NUMBER	DESCRIPTION	QTY.
180	ZZ 760 3401	70MM 1.52M FLANGED SHAFT	1
181	ZZ 760 3404	STAR DRIVE PLATE PINNED	1
182	ZZ 760 3405	STAR DRIVE ASSY C/W BOLTS	1
183	ZZ 760 3103	SPIKE BOLT	8
184	ZZ 760 0317	UPLIFT PIN 170mm	1
185	ZZ 105 04	R CLIP 4MM	1

Clydesdale Ltd.

Instal House, 3 Sunbeam Road,
Woburn Road Ind. Est., Kempston,
Bedfordshire MK42 7BZ
United Kingdom

Tel: +44 (01234) 855855
Fax: +44 (01234) 855800
E-mail: sales@clydesdale.ltd.uk
www.clydesdale.ltd.uk

ITEM NO.	PART NUMBER	DESCRIPTION	PARTS - RUNNING GEAR/QTY.
190	ZZ 300 1001	1061 BRAKE BALANCE BAR & WASHERS	1
191	ZZ 305 002	AXLE 3000KG 5X6.5PCD BCTRS 1510	1
192	ZZ 305 1801	BOWDEN SHELL LARGE	2
193	ZZ 315 1121	BRAKE CABLE 5MM DIAM 2.5M LENGTH	2
194	ZZ 315 2310	3500KG COUPLING ASSEMBLY	1
195	ZZ 315 3321	JOCKEY WHEEL ASSY	1
196	ZZ 330 7009	WHEEL & TYRE ASSEMBLY OFFSET	2
198	ZZ 760 0419	COUPLING M10 STUDDED BRAKE ROD	1



BRADLEY COUPLING SPARES

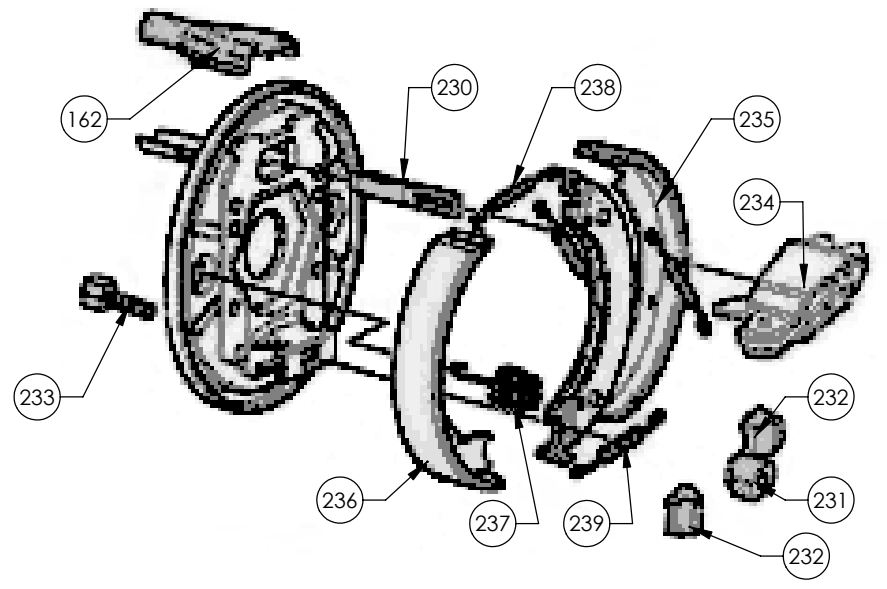
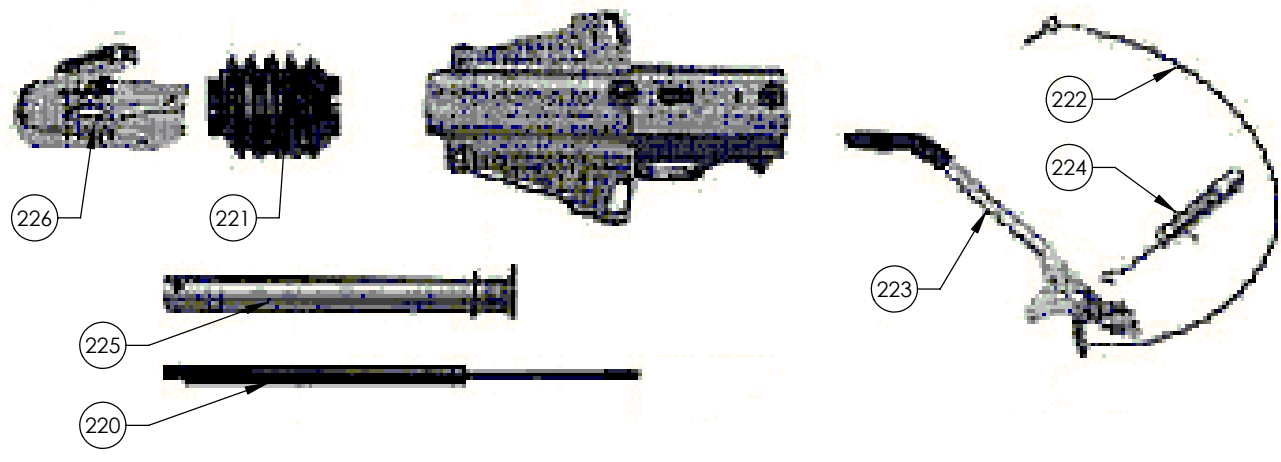
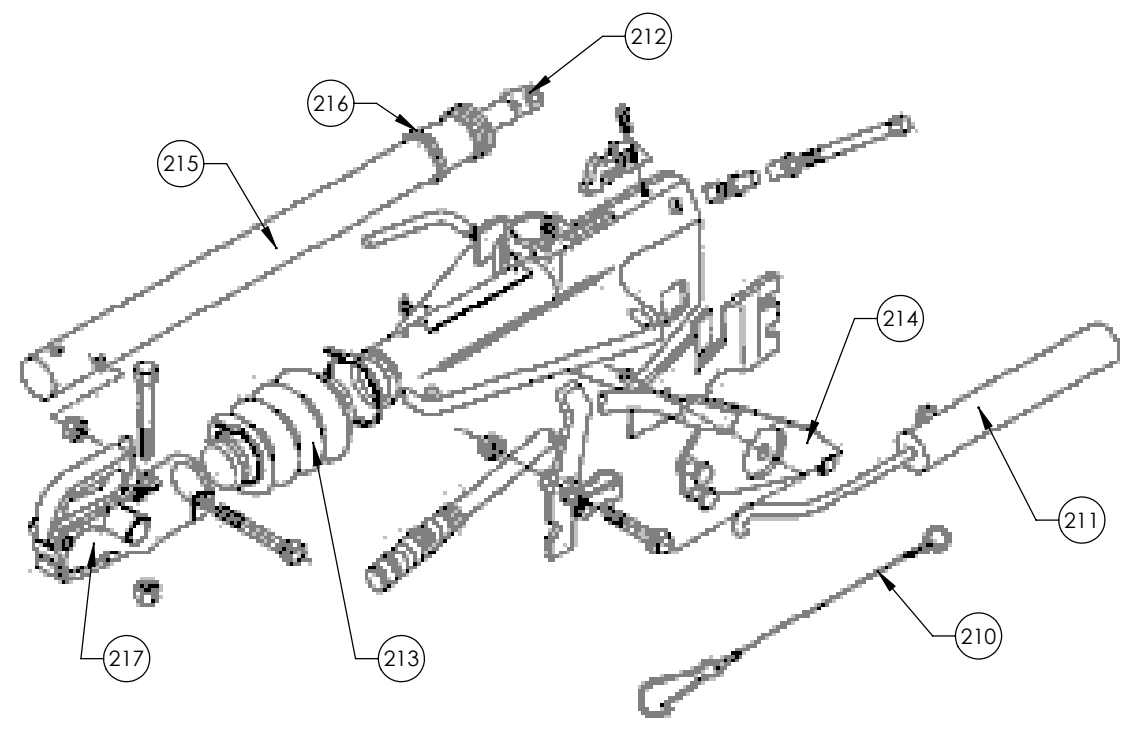
ITEM NO.	PART NUMBER	DESCRIPTION	QTY
210	ZZ 300 2003	BREAKAWAY CABLE	1
211	ZZ 300 2005	ENERGY STORE	1
212	ZZ 300 2301	DAMPER	1
213	ZZ 300 2302	BELLOWS	1
214	ZZ 300 2204	BRAKE LEVER ASSY BENT	1
215	ZZ 300 2306	DRAWTUBE	1
216	ZZ 300 2307	STOP RING	3
217	ZZ 300 2318	40MM CAST EYE	1
	ZZ 300 2348	76MM NATO EYE	
	ZZ 300 2338	50MM BALL AUTO-HEAD	

KNOTT COUPLING SPARES

ITEM NO.	PART NUMBER	DESCRIPTION	QTY
220	ZZ 315 2301	DAMPER	1
221	ZZ 315 2312	BELLOWS FOR 40 EYE/50 HEAD	1
	ZZ 315 2342	BELLOWS FOR NATO EYE	
222	ZZ 315 2003	BREAKAWAY CABLE	1
223	ZZ 315 2004	BRAKE LEVER	1
224	ZZ 315 2205	ENERGY STORE	1
225	ZZ 315 2306	DRAW TUBE C/W STOP RING	1
226	ZZ 315 2318	40MM CAST EYE	1
	ZZ 315 2348	76MM NATO EYE	
	ZZ 315 2338	50MM CAST HEAD	

HUB SPARES

ITEM NO.	PART NUMBER	DESCRIPTION	QTY/HUB
162	ZZ 305 1801	BOWDEN SHELL LARGE	1
230	ZZ 315 1802	EYELET	1
231	ZZ 315 1803	RE-ADJUSTMENT WEDGE	1
232	ZZ 315 1804	ADJUSTER SHOE POST	2
233	ZZ 315 1805	BOLT	1
234	ZZ 315 1806	EXPANDER	1
235	ZZ 315 1807	SLIDING SHOE	1
236	ZZ 315 1808	FIXED SHOE	1
237	ZZ 315 1809	SHOE STEADY SPRING	1
238	ZZ 315 1810	EXPANDER TENSION SPRING	1
239	ZZ 315 1811	ADJUSTER TENSION SPRING	1
NOT SHOWN	ZZ 315 6001	M16 CONICAL WHEEL NUT	5
	ZZ 315 6005	HUB NUT	1
	ZZ 315 6006	DUST CAP	1
	ZZ 315 6007	INNER BEARING	1
	ZZ 315 6008	OUTER BEARING	1
	ZZ 315 6009	SEAL	1



Clydesdale Ltd.

Instal House, 3 Sunbeam Road,
Woburn Road Ind. Est., Kempston,
Bedfordshire MK42 7BZ
United Kingdom

Tel: +44 (01234) 855855
Fax: +44 (01234) 855800
E-mail: sales@clydesdale.ltd.uk
www.clydesdale.ltd.uk

CLYDESDALE Ltd. Specialist manufacturer and supplier of overhead line and underground cable installation equipment, associated tools and personal protective equipment (PPE).



www.clydesdale.net

Clydesdale Ltd.

Instal House, 3 Sunbeam Rd,
Woburn Rd Industrial Estate
Kempston, Beds MK42 7BZ
Tel: (0044) (0) 1234 855855
Fax: (0044) (0) 1234 855800