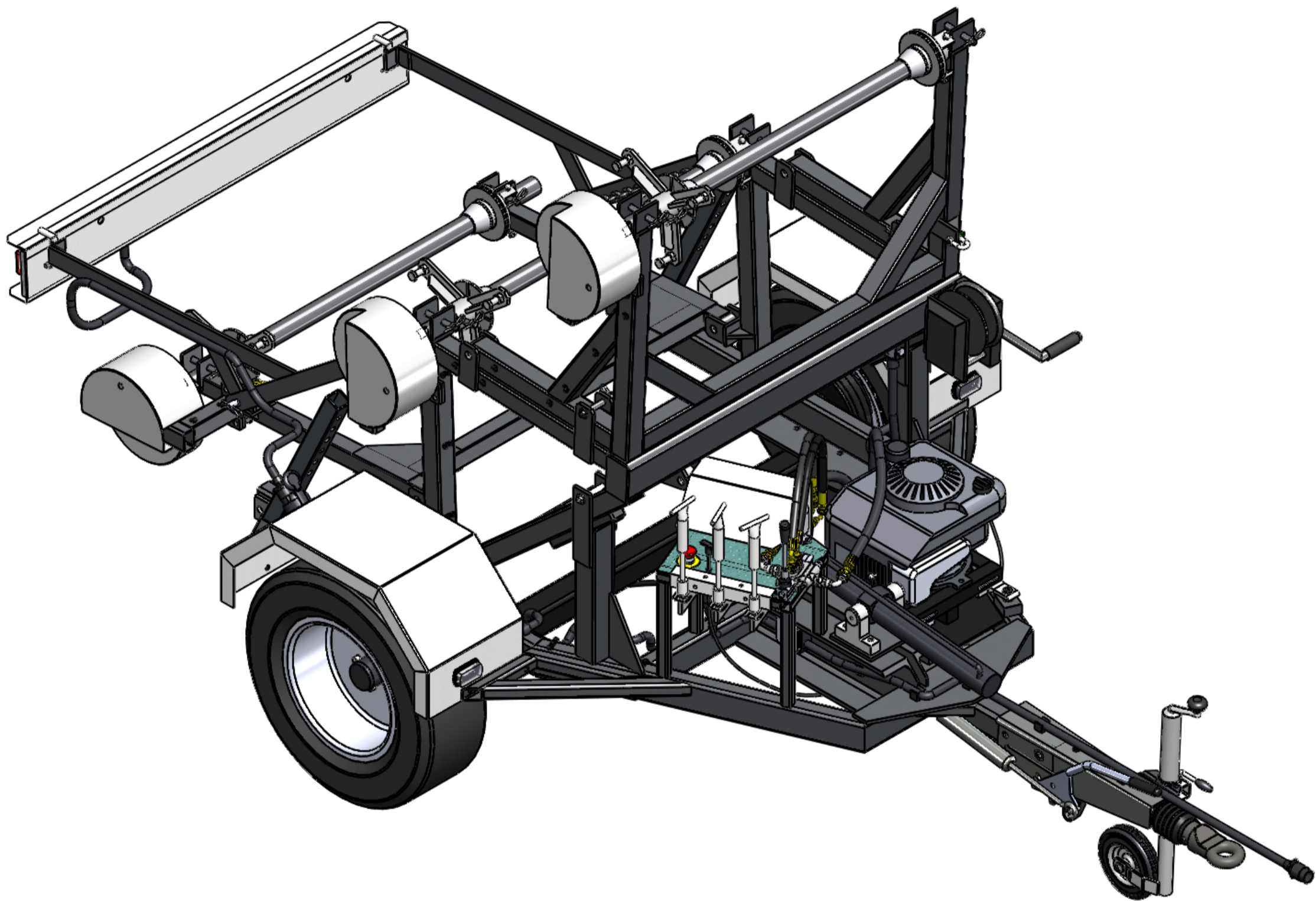


CLY 760 3-400 & CLY 760 3-400WW 3x400kg Cable Drum Trailer

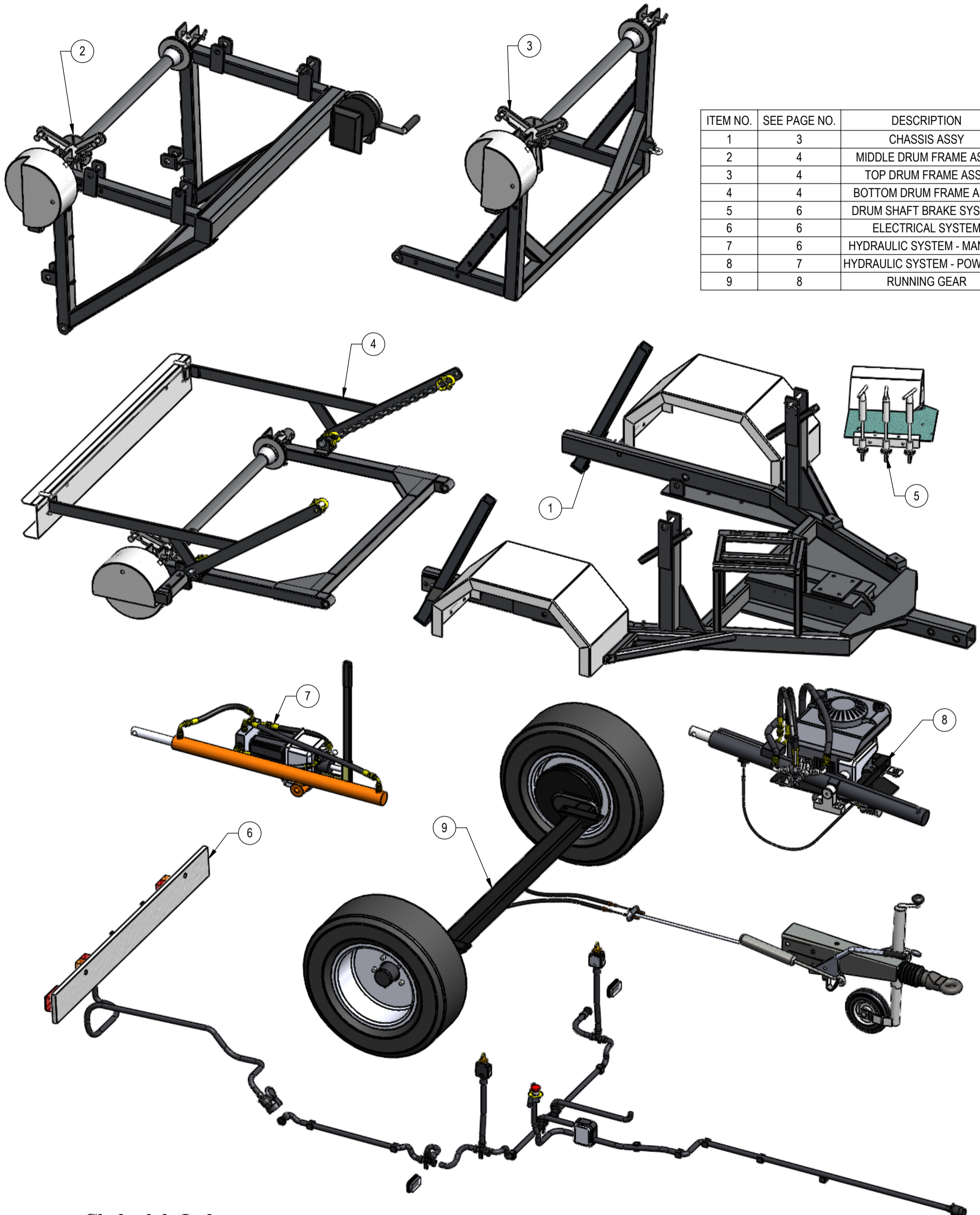
Illustrated Parts List



**PLEASE QUOTE ANY RELEVANT SERIAL NUMBERS WHEN ORDERING SPARES.
APPLIES TO SERIAL NUMBERS 3-400 XXX AND 1061-3 XXX.**

Clydesdale Ltd.

Instal House, 3 Sunbeam Rd,
Woburn Rd Ind Est., Kempston,
Bedfordshire, MK42 7BZ
United Kingdom



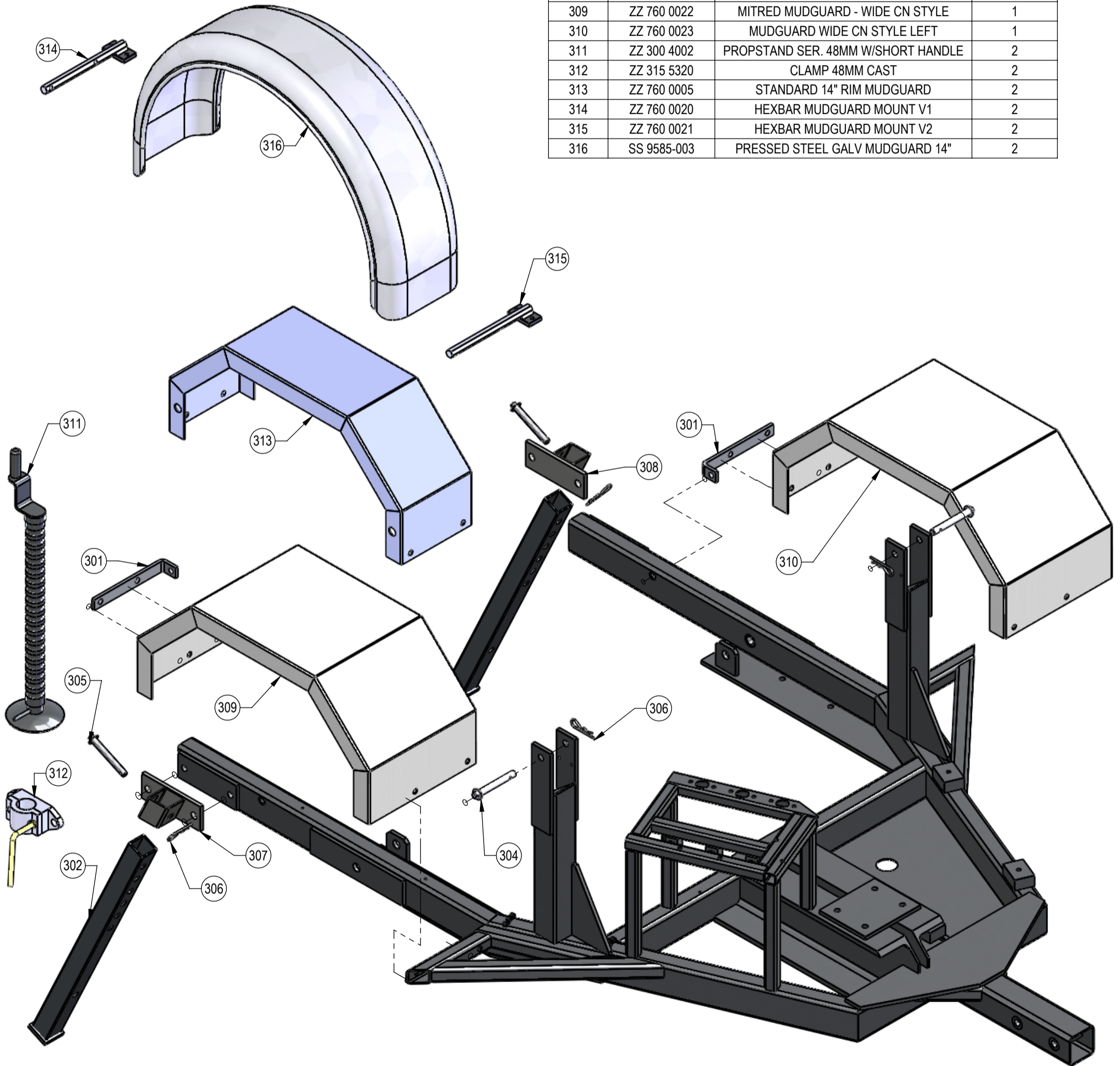
ITEM NO.	SEE PAGE NO.	DESCRIPTION
1	3	CHASSIS ASSY
2	4	MIDDLE DRUM FRAME ASSY
3	4	TOP DRUM FRAME ASSY
4	4	BOTTOM DRUM FRAME ASSY
5	6	DRUM SHAFT BRAKE SYSTEM
6	6	ELECTRICAL SYSTEM
7	6	HYDRAULIC SYSTEM - MANUAL
8	7	HYDRAULIC SYSTEM - POWERED
9	8	RUNNING GEAR

Clydesdale Ltd.

Instal House, 3 Sunbeam Rd,
 Woburn Rd Ind Est., Kempston,
 Bedfordshire, MK42 7BZ
 United Kingdom

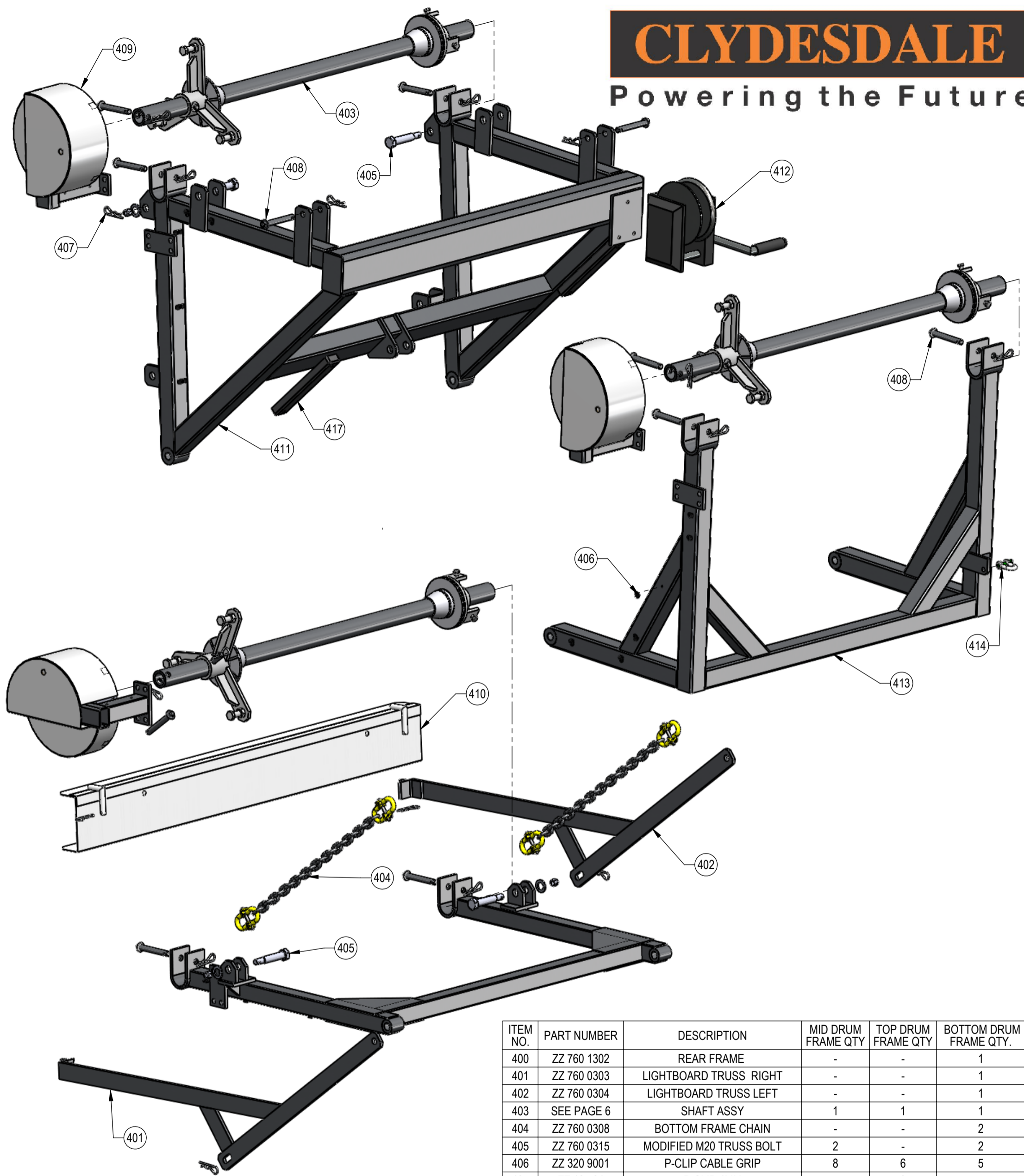
Tel: +44 (0)1234 855855
 Fax: +44 (0)1234 855800
 Email: sales@clydesdale.net
 www.clydesdale.net

ITEM NO.	PART NUMBER	DESCRIPTION	PARTS - CHASSIS/QTY.
300	ZZ 760 2300	CHASSIS ASSEMBLY	1
301	ZZ 760 0006	MUDGUARD MOUNT BRACKET	2
302	ZZ 760 0008	STABILISER LEG	2
303	ZZ 320 9001	P-CLIP CABLE GRIP	6
304	ZZ 760 0316	LIMIT SWITCH UPLIFT PIN	2
305	ZZ 760 0317	UPLIFT PIN	2
306	ZZ 105 04	R CLIP 4MM	4
307	ZZ 760 0321	RH STABILISER BRACKET	1
308	ZZ 760 0322	LH STABILISER BRACKET	1
309	ZZ 760 0022	MITRED MUDGUARD - WIDE CN STYLE	1
310	ZZ 760 0023	MUDGUARD WIDE CN STYLE LEFT	1
311	ZZ 300 4002	PROPSTAND SER. 48MM W/SHORT HANDLE	2
312	ZZ 315 5320	CLAMP 48MM CAST	2
313	ZZ 760 0005	STANDARD 14" RIM MUDGUARD	2
314	ZZ 760 0020	HEXBAR MUDGUARD MOUNT V1	2
315	ZZ 760 0021	HEXBAR MUDGUARD MOUNT V2	2
316	SS 9585-003	PRESSED STEEL GALV MUDGUARD 14"	2



Clydesdale Ltd.

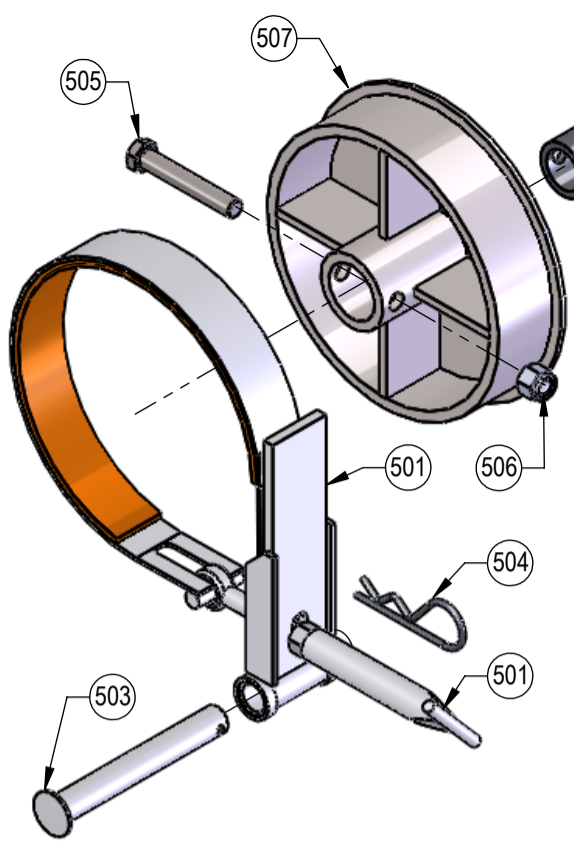
Instal House, 3 Sunbeam Rd,
Woburn Rd Ind Est., Kempston,
Bedfordshire, MK42 7BZ
United Kingdom



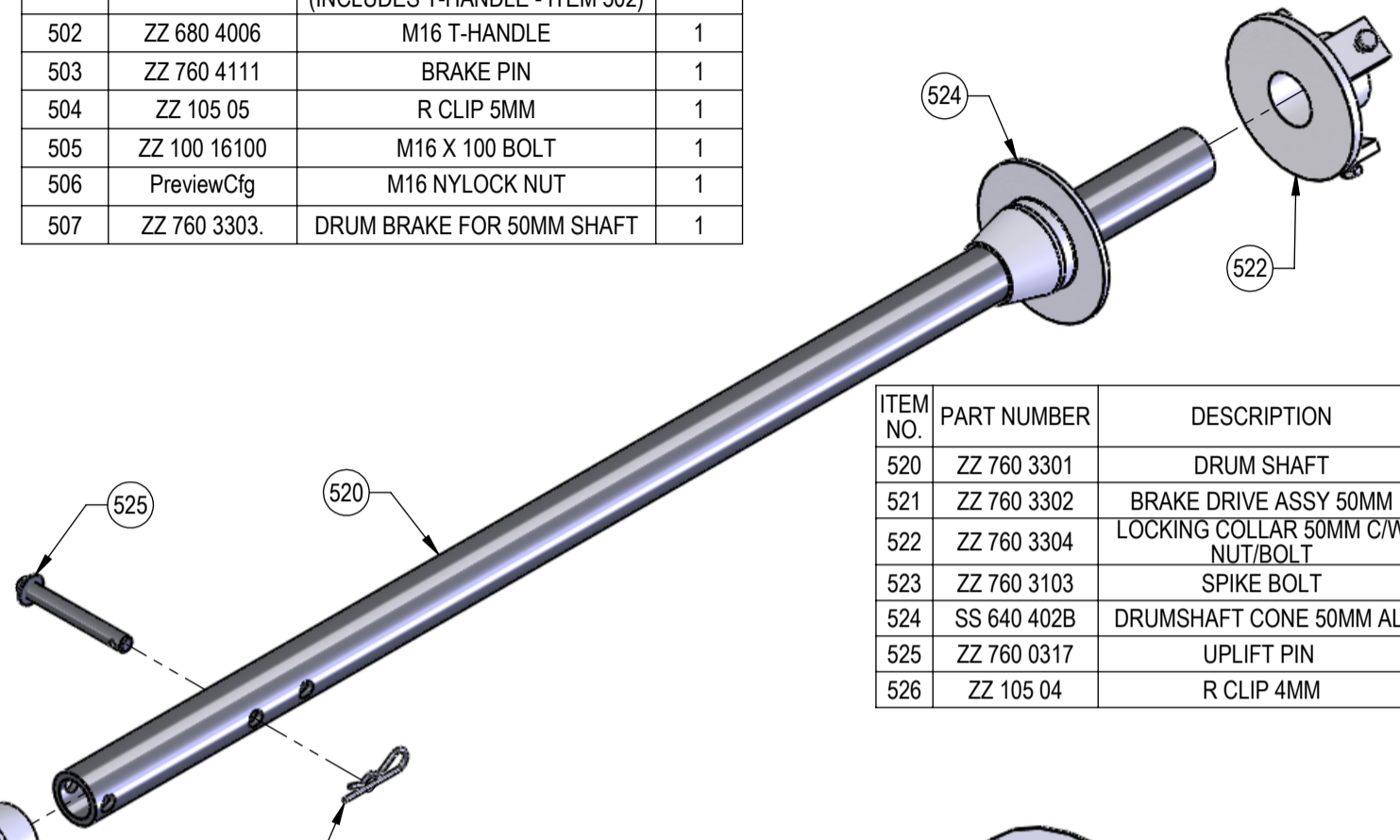
ITEM NO.	PART NUMBER	DESCRIPTION	MID DRUM FRAME QTY	TOP DRUM FRAME QTY	BOTTOM DRUM FRAME QTY.
400	ZZ 760 1302	REAR FRAME	-	-	1
401	ZZ 760 0303	LIGHTBOARD TRUSS RIGHT	-	-	1
402	ZZ 760 0304	LIGHTBOARD TRUSS LEFT	-	-	1
403	SEE PAGE 6	SHAFT ASSY	1	1	1
404	ZZ 760 0308	BOTTOM FRAME CHAIN	-	-	2
405	ZZ 760 0315	MODIFIED M20 TRUSS BOLT	2	-	2
406	ZZ 320 9001	P-CLIP CABLE GRIP	8	6	5
407	ZZ 105 04	R CLIP 4MM	7	3	7
408	ZZ 760 0317	UPLIFT PIN	5	3	3
409	SEE PAGE 6	BRAKE ASSY	1	1	1
410	ZZ 760 0319	TRAILERBOARD BRACKET	-	-	1
411	ZZ 760 1301	MIDDLE DRUM FRAME	1	-	-
412	ZZ 310 9001	HAND WINCH 1000KG	1	-	-
413	ZZ 760 1303	TOP FRAME	-	1	-
414	CLY 710 GPD 1	SHACKLE DEE GREEN PIN 1000KG	-	1	-
417	ZZ 325 9001	RUBBER BUFFER 300X45X25MM	2	-	-

Clydesdale Ltd.

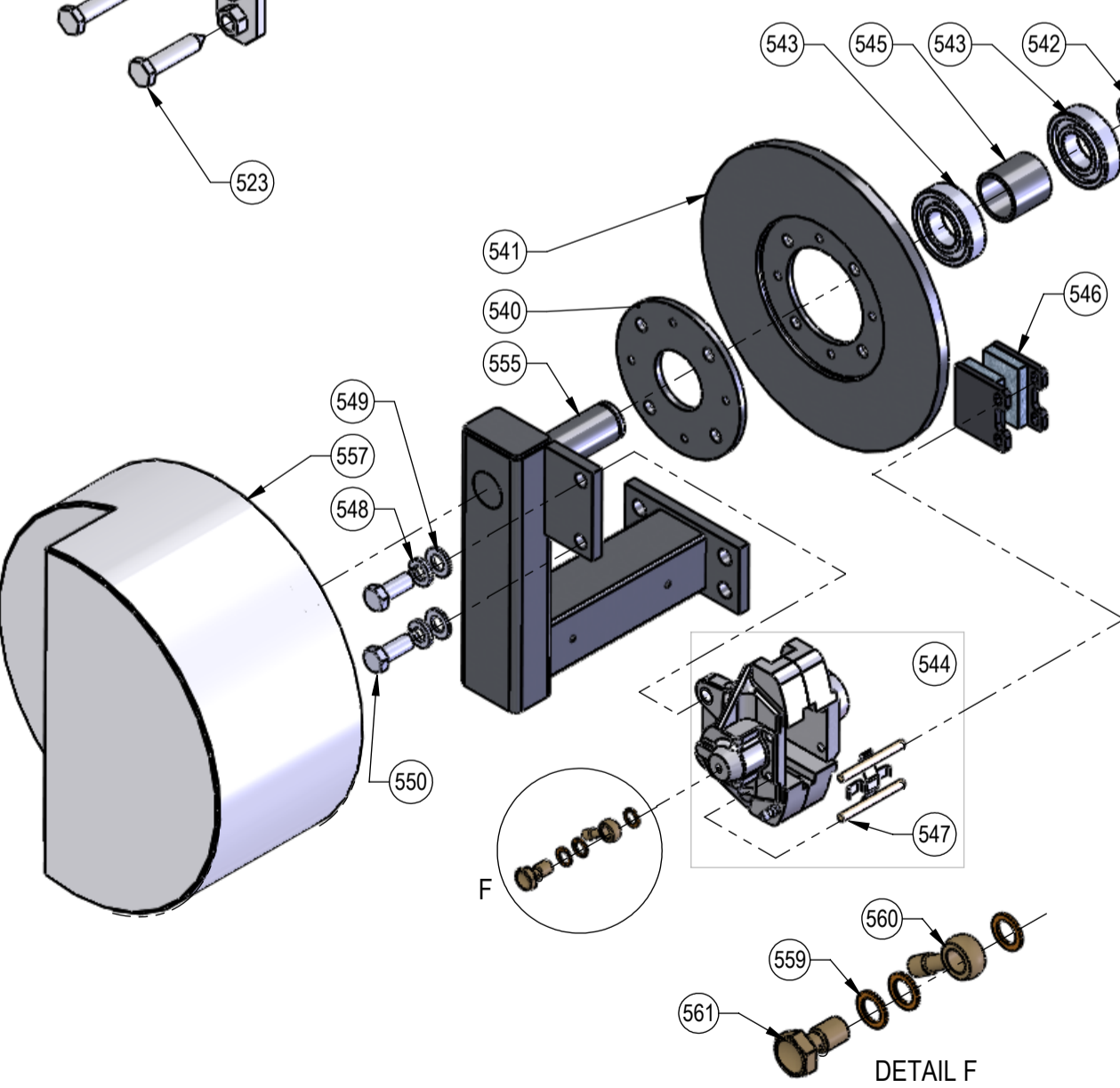
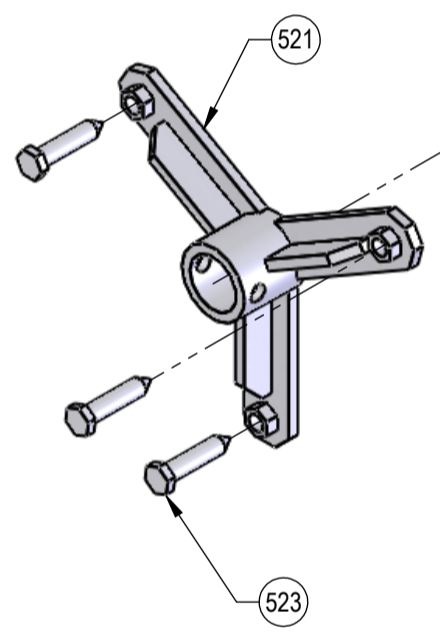
Instal House, 3 Sunbeam Rd,
Woburn Rd Ind Est., Kempston,
Bedfordshire, MK42 7BZ
United Kingdom



ITEM NO.	PART NUMBER	DESCRIPTION	QTY.
500	ZZ 760 3301	DRUM SHAFT	1
501	ZZ 640 4005	BAND BRAKE ASSEMBLY (INCLUDES T-HANDLE - ITEM 502)	1
502	ZZ 680 4006	M16 T-HANDLE	1
503	ZZ 760 4111	BRAKE PIN	1
504	ZZ 105 05	R CLIP 5MM	1
505	ZZ 100 16100	M16 X 100 BOLT	1
506	PreviewCfg	M16 NYLOCK NUT	1
507	ZZ 760 3303.	DRUM BRAKE FOR 50MM SHAFT	1



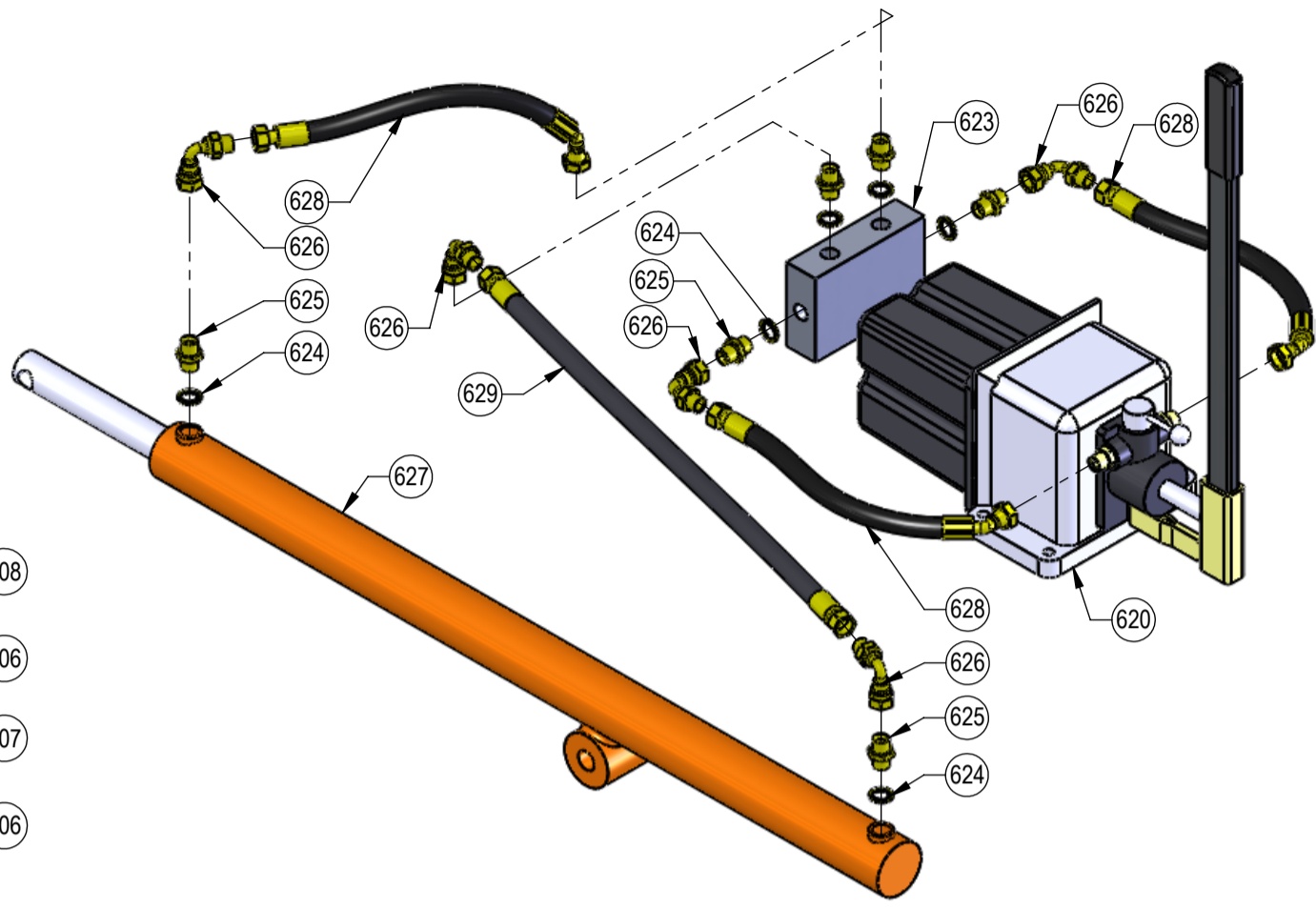
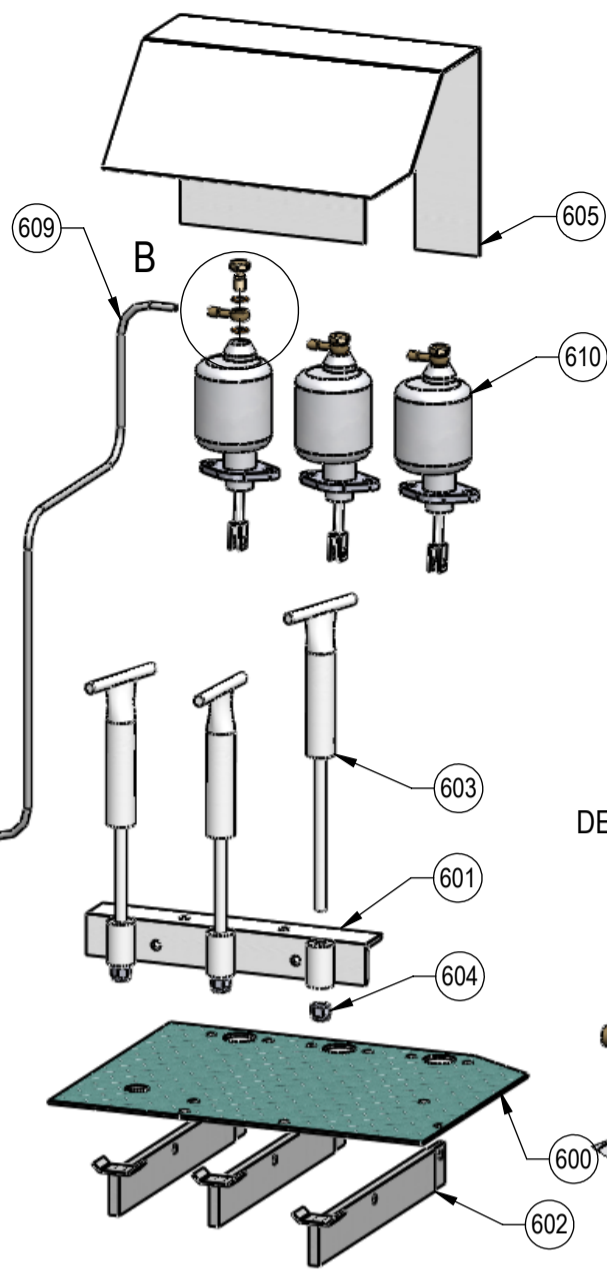
ITEM NO.	PART NUMBER	DESCRIPTION	QTY.
520	ZZ 760 3301	DRUM SHAFT	1
521	ZZ 760 3302	BRAKE DRIVE ASSY 50MM	1
522	ZZ 760 3304	LOCKING COLLAR 50MM C/W NUT/BOLT	1
523	ZZ 760 3103	SPIKE BOLT	3
524	SS 640 402B	DRUMSHAFT CONE 50MM ALI	2
525	ZZ 760 0317	UPLIFT PIN	1
526	ZZ 105 04	R CLIP 4MM	1



ITEM NO.	PART NUMBER	DESCRIPTION	Disc Locked for Drawing/QTY.
540	ZZ 760 4303	COVER PLATE	1
541	ZZ 760 4304	BRAKE DISC	1
542	ZZ 105 30E	CIRCLIP EXT 30MM SHAFT	1
543	ZZ 140 011	BEARING 6206 2RS	2
544	ZZ 331 0002	BRAKE CALIPER	1
545	ZZ 760 4306	BEARING SPACER	1
546	ZZ 331 0001	BRAKE PAD	2
547	ZZ 331 0003	CALIPER PIN + PLATE KIT	1
548	ZZ 110 12L	M12 LOCK WASHER	2
549	ZZ 110 12	M12 WASHER NORMAL PLATED	2
550	ZZ 100 1230	M12 X 30MM BOLT	2
551	ZZ 103 1025	M10 X 25MM SOCKET HEAD BOLT	4
552	ZZ 100 10L	M10 LOCK WASHER	4
553	ZZ 103 0625	M6 X 25MM SOCKET HEAD BOLT	4
554	ZZ 110 06L	M6 LOCK WASHER	4
555	ZZ 760 4302	BRAKE BRACKET	1
556	ZZ 760 4307	BRAKE HUB	1
557	ZZ 760 4311	BRAKE GUARD	1
558	ZZ 760 4312	REAR GUARD COVER PLATE	1
559	ZZ 332 0005	COPPER WASHER	3
560	ZZ 332 0006	BANJO	1
561	ZZ 332 0010	CALIPER BANJO BOLT	1

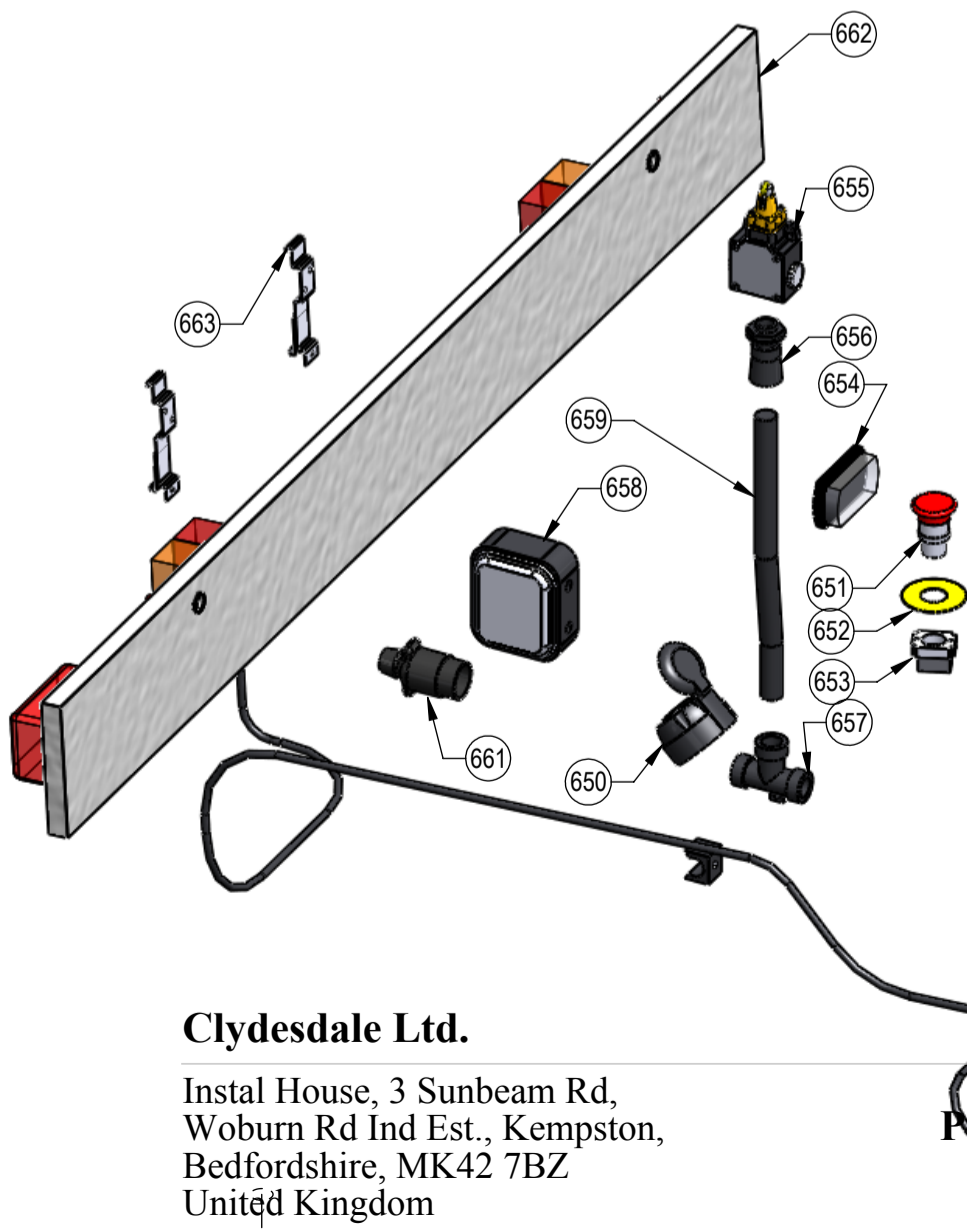
Clydesdale Ltd.

Instal House, 3 Sunbeam Rd,
Woburn Rd Ind Est., Kempston,
Bedfordshire, MK42 7BZ
United Kingdom



ITEM NO.	PART NUMBER	DESCRIPTION	PARTS - BRAKE/QTY.
600	ZZ 760 0302	CONTROL PLATFORM BASE	1
601	ZZ 760 0309	BRAKE SCREW BANK	1
602	ZZ 760 0410	LEVER	3
603	ZZ 760 0311	M10 T-BOLT	3
604	ZZ 120 10	M10 NYLOCK NUT	3
605	ZZ 760 0312	CYLINDER GUARD	1
606	ZZ 332 0005	COPPER WASHER	6
607	ZZ 332 0006	BANJO	3
608	ZZ 332 0008	CYLINDER BANJO BOLT	3
609	ZZ 332 60003	ARMOURED HOSE PER M	1
610	ZZ 331 0005	MASTER CYLINDER	3

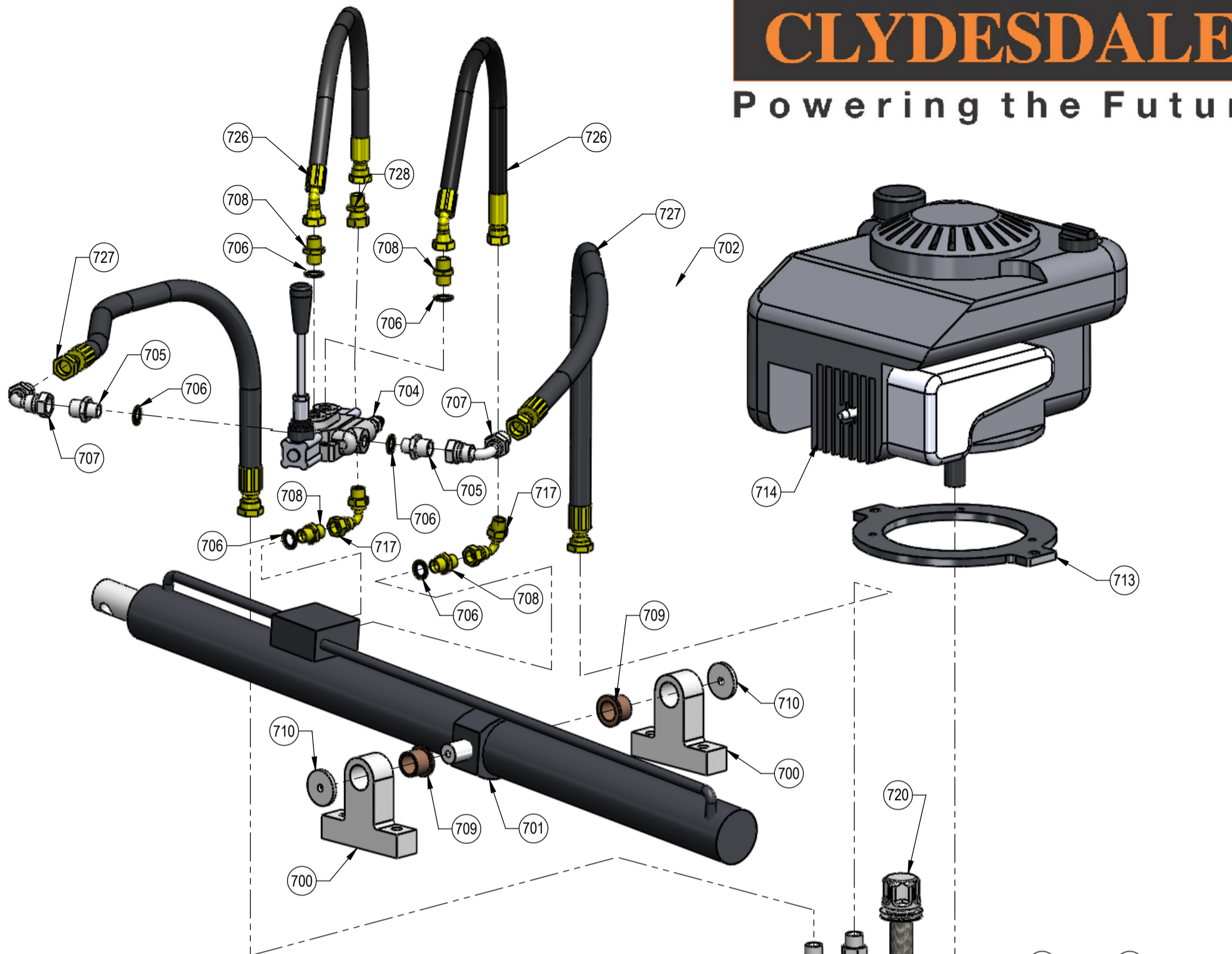
ITEM NO.	PART NUMBER	DESCRIPTION	Qty
620	ZZ 150 093	HYD HANDPUMP 25CC/CYCLE L+ R DOUB ACTING	1
621	ZZ 150 018	HYD - HANDPUMP RESERVOIR	1
622	ZZ 150 150	HAND PUMP LEVER	1
623	ZZ 150 237	OVER CENTRE CONTROL VALVE SIDE PORTED	1
624	ZZ 150 021	HYDRAULICS - DOWTY WASHER 3/8"	6
625	ZZ 150 031	HYDRAULICS - ADAPTER M/M 3/8-3/8" BSPP	6
626	ZZ 150 038	3/8" F/M BSP 90DEG ADAPTER	5
627	ZZ 150 238	3DT MANUALLY OPERATED RAM	1
628	ZZ 150 045	HYD HOSE ASSY NO.6 0.5M	3
629	ZZ 150 042	HYD HOSE ASSY 1M 3/8 BSP	1



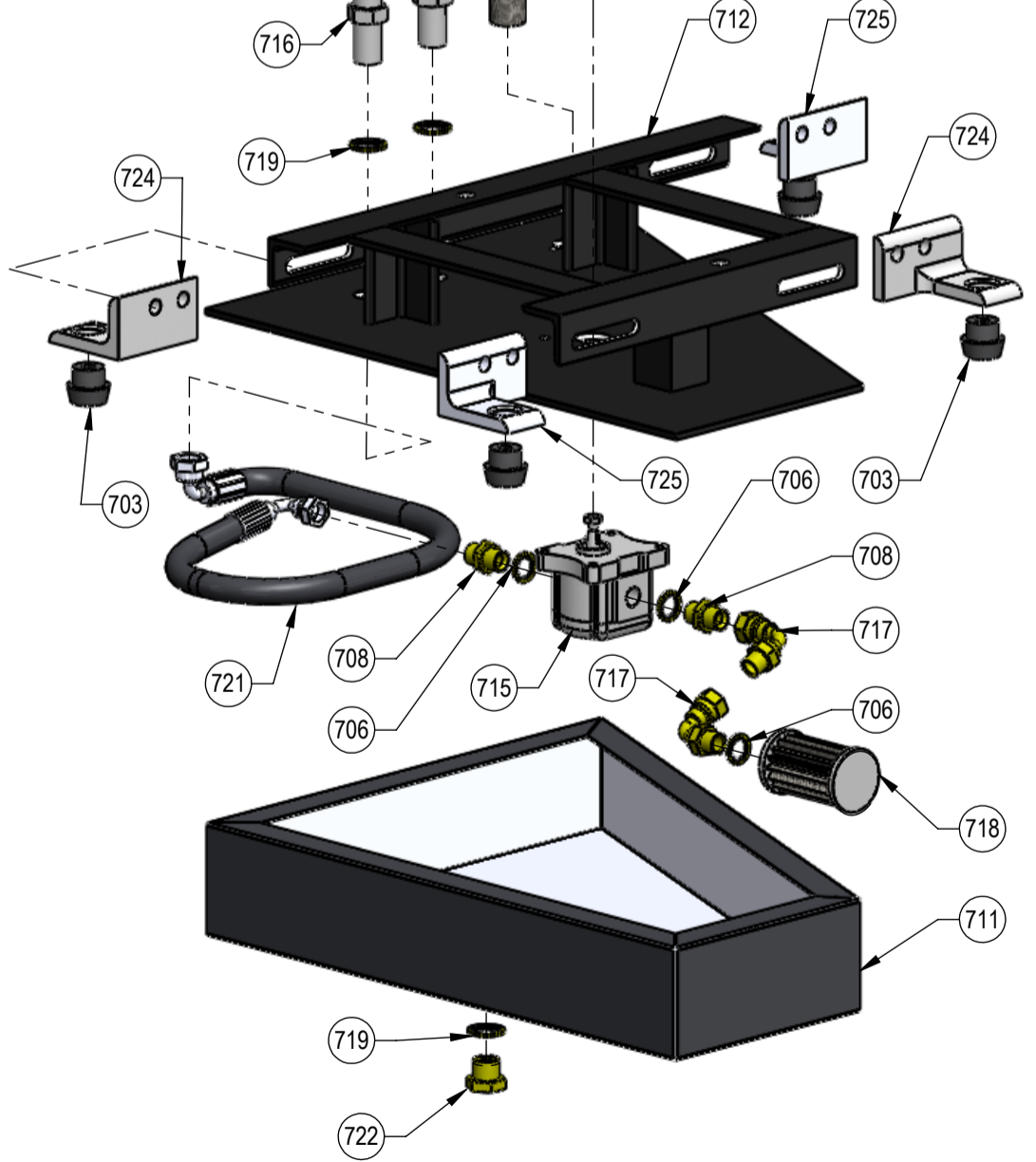
ITEM NO.	PART NUMBER	DESCRIPTION	PARTS - ELECTRICAL/ QTY.
650	ZZ 320 8403	SOCKET 7 PIN	1
651	ZZ 320 ZB2BS844	E-STOP BUTTON	1
652	ZZ 320 ZB2BY9330	E STOP DECAL	1
653	ZZ 320 ZB2BZ101	SWITCH	1
654	ZZ 320 8204	FRONT MARKER LAMP	1
655	ZZ 333 8605	LIMIT SWITCH	1
656	ZZ 333 8602	CONDUIT STRAIGHT ADAPTOR	1
657	ZZ 333 8603	CONDUIT T PIECE	1
658	ZZ 320 8401	JUNCTION BOX 8 WAY	1
659	ZZ 333 8604	ADAPTA FLEX CONDUIT M20	1
660	ZZ 333 8601	CONDUIT CLIP	1
661	ZZ 320 8402	7-PIN PLUG	1
662	ZZ 325 8901	LIGHTING BOARD 4'6" C/W FOG	1
663	ZZ 310 9002	NUMBER PLATE SPRING CLIP PAIR	1

Clydesdale Ltd.

Instal House, 3 Sunbeam Rd,
Woburn Rd Ind Est., Kempston,
Bedfordshire, MK42 7BZ
United Kingdom



ITEM NO.	PART NUMBER	DESCRIPTION	QTY.
700	ZZ 760 0301	RAM PIVOT	2
701	ZZ 150 013	HYD RAM 60MM BORE 40MM ROD 900MM STROKE	1
702	902 106	THROTTLE CABLE	1
703	ZZ 334 F2737T	VIBRATION BUSH	4
704	ZZ 150 014	SINGLE ACTING CONTROL VLAVE	1
705	ZZ 150 032	HYDRAULICS - ADAPTER M/M 3/8-1/2" BSPP	2
706	ZZ 150 021	HYDRAULICS - DOWTY WASHER 3/8"	9
707	ZZ 150 039	1/2" F/M BSP 90DEG ADAPTER	2
708	ZZ 150 031	HYDRAULICS - ADAPTER M/M 3/8-3/8" BSPP	6
709	ZZ 140 021	P-BRONZE BEARING ID25XOD32XL25	2
710	ZZ 760 0313	RAM SHOULDER WASHER	2
711	ZZ 760 5303	TANK BASE	1
712	ZZ 760 5304	TANK LID	1
713	ZZ 760 5305	ENGINE MOUNT RING	1
714	ZZ 510 0001	B&S 6HP QUANTUM ENGINE	1
715	ZZ 150 009	PUMP RHP027 AT CLOCKWISE ROTATION	1
716	ZZ 150 035	HYDRAULICS - ADAPTER BULKHEAD 1/2-1/2" BSPP	2
717	ZZ 150 038	3/8" F/M BSP 90DEG ADAPTER	4
718	ZZ 150 060	SUCTION FILTER 3/8" 12LPM	1
719	ZZ 150 022	HYDRAULICS - DOWTY WASHER 1/2"	3
720	ZZ 150 008	FILLER CAP W/FILTER	1
721	ZZ 150 040	HOSE ASSY NO1	1
722	ZZ 150 081	HYD - PLUG 1/2" BSP	1
723	ZZ 150 029	HYD - NUT B/HEAD 1/2" BSP	2
724	ZZ 760 5306	BOLT ON FOOT 1	2
725	ZZ 760 5307	BOLT ON FOOT 2	2
726	ZZ 150 045	HYD HOSE ASSY NO.6 0.5M	2
727	ZZ 150 046	HYD HOSE ASSY NO.7	2
728	ZZ 150 037	HYDRAULICS - ADAPTER f/M 3/8-3/8" BSPP	1



Clydesdale Ltd.

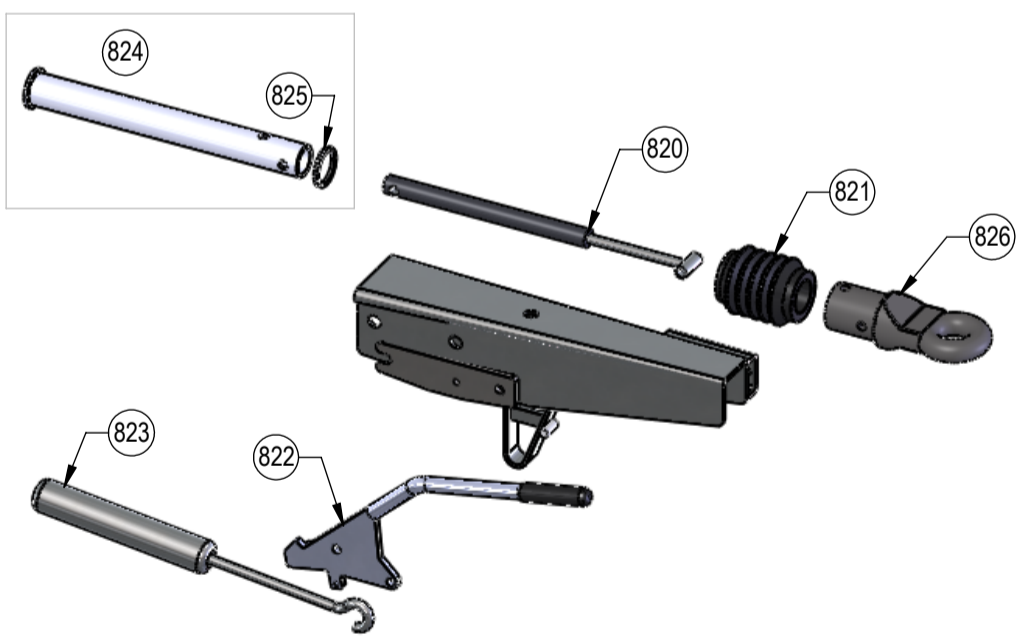
Instal House, 3 Sunbeam Rd,
Woburn Rd Ind Est., Kempston,
Bedfordshire, MK42 7BZ
United Kingdom

Tel: +44 (0)1234 855855
Fax: +44 (0)1234 855800
Email: sales@clydesdale.net
www.clydesdale.net



ITEM NO.	PART NUMBER	DESCRIPTION	PARTS - RUNNING GEAR/QTY.
800	ZZ 305 6003	AXLE ASSY 1.3DT - B.CENTRES 1200MM	1
801	ZZ 315 2520	SQUARE TUBE 2000KG COUPLING W/40MM EYE	1
802	ZZ 315 3311	JOCKEY ASSEMBLY 48MM SMOOTH	1
803	ZZ 315 5310	JOCKEY CLAMP 48MM PRESSED	1
804	ZZ 315 1111	BRAKE CABLE - 1.4M X 3MM DETACH.	2
805	ZZ 315 1701	1061 BOWDEN CABLE SHELL	2
806	ZZ 300 1001	1061 BRAKE BALANCE BAR & WASHERS	1
807	ZZ 760 0318	M10 BRAKE COUPLING LINK ROD	1
808	ZZ 330 7007	WHEEL & TYRE ASSY WIDE 225/70R15	2
809	ZZ 330 7005	WHEEL ASSY 185R14 CV3000 5 1/2JX14	2
NOT SHOWN	ZZ 315 1700	250 X 40 BRAKE SHOE & SPRING KIT	1
NOT SHOWN	ZZ 315 6001	WHEEL NUT M16 SPHERICAL	10
NOT SHOWN	ZZ 315 6006	DUST CAP	2

Note: These part numbers are for Knott Avonride equipment. Please contact Clydesdale if your running gear is from another OEM such as Bradley.



ITEM NO.	PART NUMBER	DESCRIPTION	QTY.
820	ZZ 315 2461	DAMPER	1
821	ZZ 315 2462	BELLOWS	1
822	ZZ 315 2464	BRAKELEVER ASSEMBLY	1
823	ZZ 315 2205	ENERGY STORE	1
824	ZZ 315 2206	DRAW TUBE CW STOP RING	1
825	ZZ 315 2207	STOP RING	1
826	ZZ 315 2218	40MM EYE	1

Note: These part numbers are for Knott Avonride equipment. Please contact Clydesdale if your running gear is from another OEM such as Bradley.

Clydesdale Ltd.

Instal House, 3 Sunbeam Rd,
Woburn Rd Ind Est., Kempston,
Bedfordshire, MK42 7BZ
United Kingdom