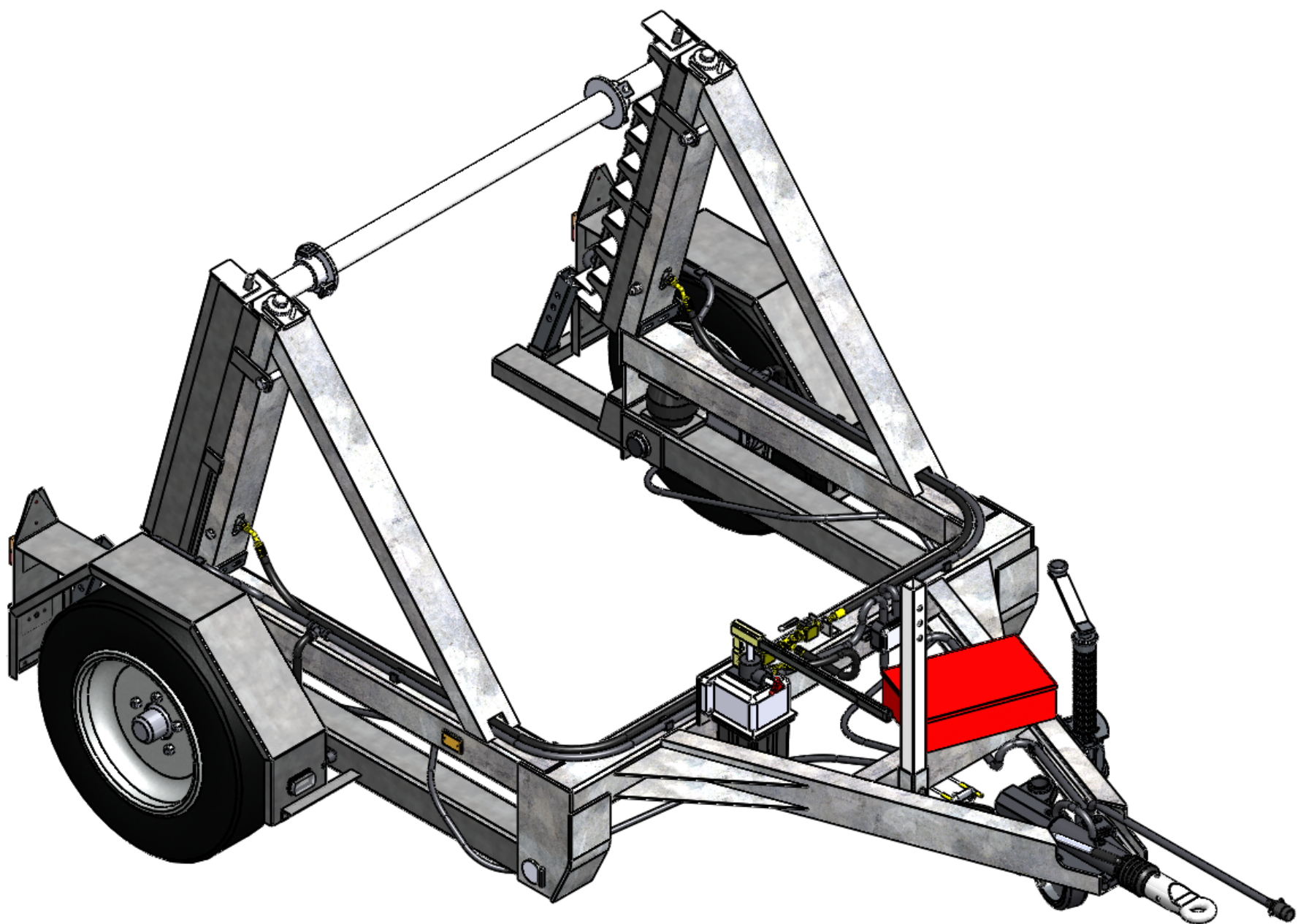


CLY 760 2500

2500kg Cable Drum Trailer

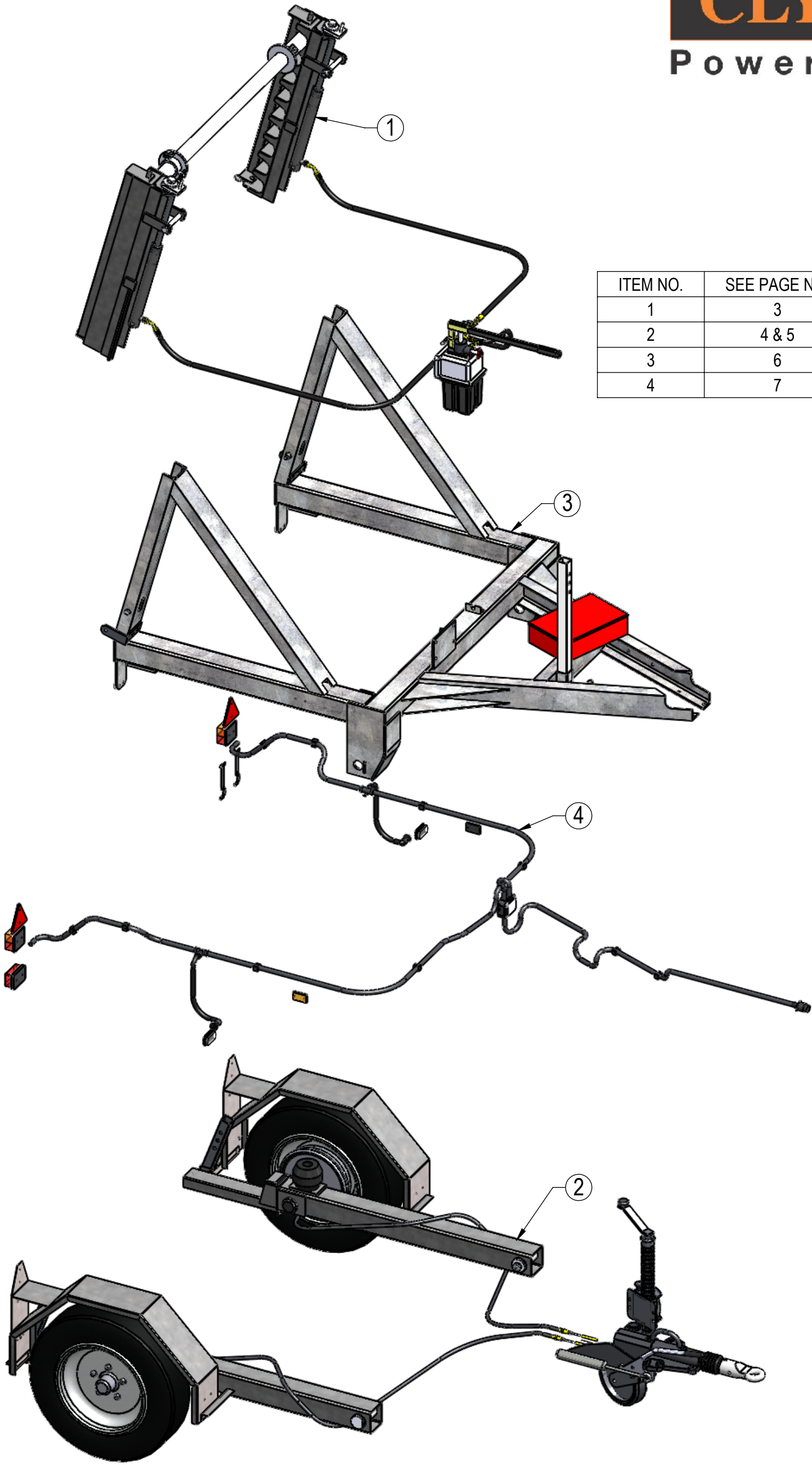
Illustrated Parts List



PLEASE QUOTE THE TRAILER SERIAL NUMBER WHEN ORDERING SPARES.

Clydesdale Ltd.

Walter Sample House, 3 Sunbeam Rd,
Woburn Rd Ind Est., Kempston,
Bedfordshire, MK42 7BZ
United Kingdom

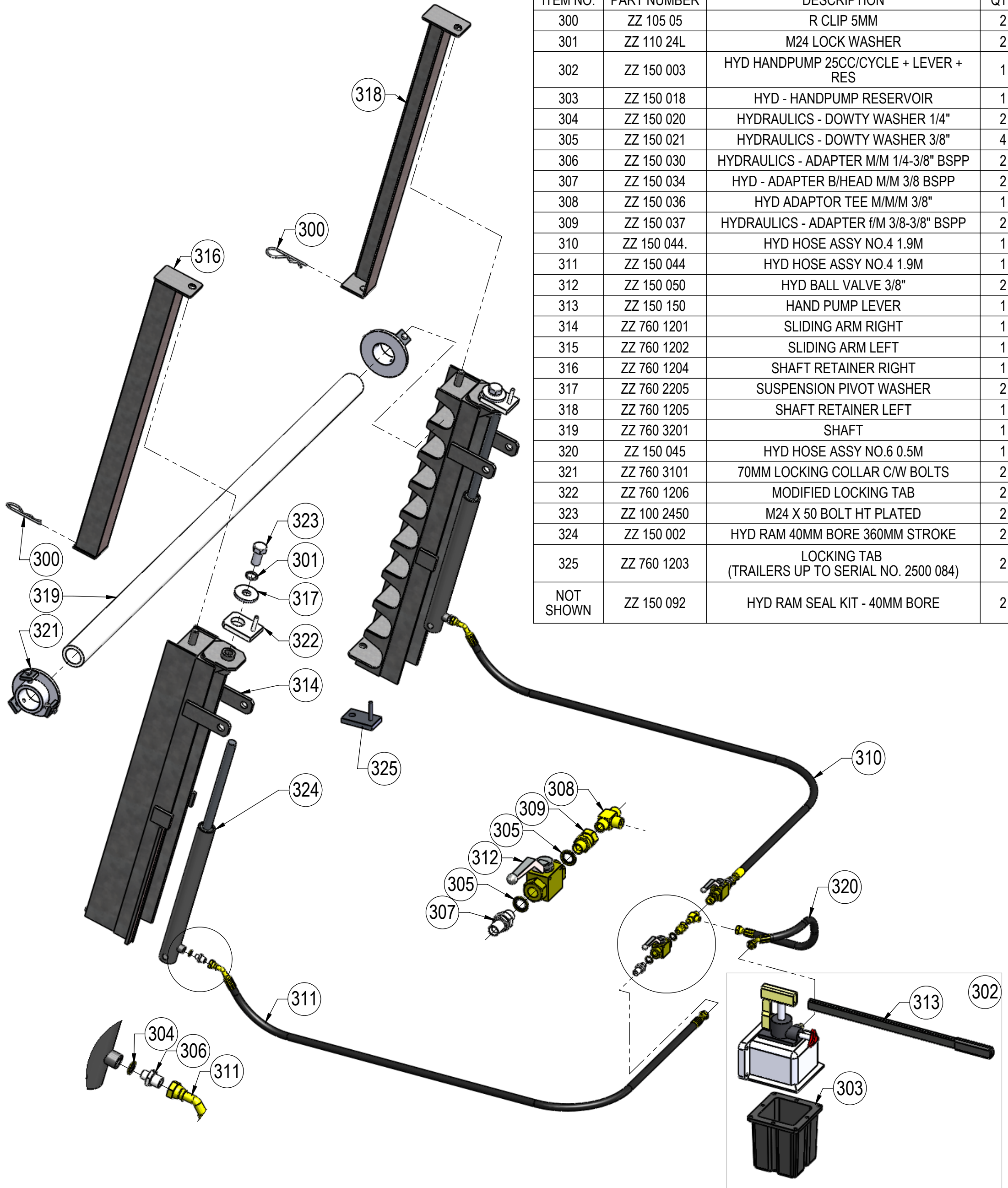


ITEM NO.	SEE PAGE NO.	DESCRIPTION
1	3	SHAFT, DRUM SLIDES & HYDRAULICS
2	4 & 5	SUSPENSION & RUNNING GEAR
3	6	CHASSIS
4	7	ELECTRICS

Clydesdale Ltd.

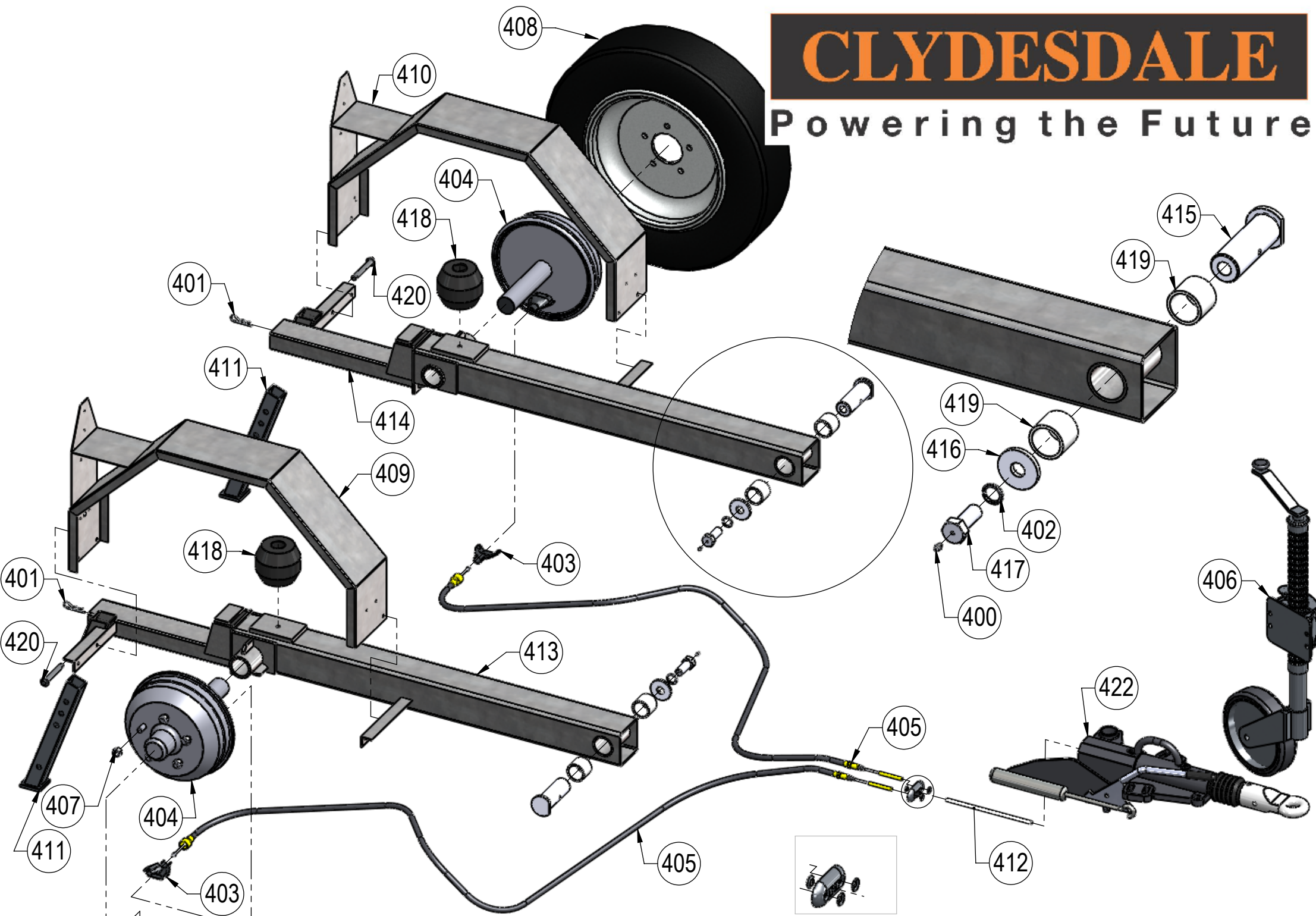
Walter Sample House, 3 Sunbeam Rd,
 Woburn Rd Ind Est., Kempston,
 Bedfordshire, MK42 7BZ
 United Kingdom

ITEM NO.	PART NUMBER	DESCRIPTION	QTY
300	ZZ 105 05	R CLIP 5MM	2
301	ZZ 110 24L	M24 LOCK WASHER	2
302	ZZ 150 003	HYD HANDPUMP 25CC/CYCLE + LEVER + RES	1
303	ZZ 150 018	HYD - HANDPUMP RESERVOIR	1
304	ZZ 150 020	HYDRAULICS - DOWTY WASHER 1/4"	2
305	ZZ 150 021	HYDRAULICS - DOWTY WASHER 3/8"	4
306	ZZ 150 030	HYDRAULICS - ADAPTER M/M 1/4-3/8" BSPP	2
307	ZZ 150 034	HYD - ADAPTER B/HEAD M/M 3/8 BSPP	2
308	ZZ 150 036	HYD ADAPTOR TEE M/M/M 3/8"	1
309	ZZ 150 037	HYDRAULICS - ADAPTER f/M 3/8-3/8" BSPP	2
310	ZZ 150 044.	HYD HOSE ASSY NO.4 1.9M	1
311	ZZ 150 044	HYD HOSE ASSY NO.4 1.9M	1
312	ZZ 150 050	HYD BALL VALVE 3/8"	2
313	ZZ 150 150	HAND PUMP LEVER	1
314	ZZ 760 1201	SLIDING ARM RIGHT	1
315	ZZ 760 1202	SLIDING ARM LEFT	1
316	ZZ 760 1204	SHAFT RETAINER RIGHT	1
317	ZZ 760 2205	SUSPENSION PIVOT WASHER	2
318	ZZ 760 1205	SHAFT RETAINER LEFT	1
319	ZZ 760 3201	SHAFT	1
320	ZZ 150 045	HYD HOSE ASSY NO.6 0.5M	1
321	ZZ 760 3101	70MM LOCKING COLLAR C/W BOLTS	2
322	ZZ 760 1206	MODIFIED LOCKING TAB	2
323	ZZ 100 2450	M24 X 50 BOLT HT PLATED	2
324	ZZ 150 002	HYD RAM 40MM BORE 360MM STROKE	2
325	ZZ 760 1203	LOCKING TAB (TRAILERS UP TO SERIAL NO. 2500 084)	2
NOT SHOWN	ZZ 150 092	HYD RAM SEAL KIT - 40MM BORE	2



Clydesdale Ltd.

Walter Sample House, 3 Sunbeam Rd,
 Woburn Rd Ind Est., Kempston,
 Bedfordshire, MK42 7BZ
 United Kingdom



ITEM NO.	PART NUMBER	DESCRIPTION	Qty
400	ZZ 102 06	M6 GREASE NIPPLE	2
401	ZZ 105 04	R CLIP 4MM	2
402	ZZ 110 24L	M24 LOCK WASHER	2
403	ZZ 305 1801	BOWDEN SHELL LARGE	2
404	ZZ 305 6001	HUB/STUB/BRAKE ASSY 3000KG PAIR	2
405	ZZ 315 1121	BRAKE CABLE 5MM DIAM 2.5M LENGTH	1
406	ZZ 315 3420	JOCKEY ASSEMBLY 60MM SERRATED W/CLAMP	1
407	ZZ 315 6001	M16 WHEEL NUT	10
408	ZZ 330 7006	WHEEL & TYRE ASSEMBLY	2
409	ZZ 760 0202	MUDGUARD RIGHT	1
410	ZZ 760 0203	MUDGUARD LEFT	1
411	ZZ 760 0204	REAR PROPSTAND	2
412	ZZ 760 0206	BRAKE STUDDED BAR M10 X 300MM	1
413	ZZ 760 2201	SUSPENSION ARM RIGHT	1
414	ZZ 760 2202	SUSPENSION ARM LEFT	1
415	ZZ 760 2204	SUSPENSION PIVOT PIN	2
416	ZZ 760 2205	SUSPENSION PIVOT WASHER	2
417	ZZ 760 2206	SUSPENSION PIVOT BOLT	2
418	ZZ 910 012	EON SPRING UNIT	2
419	ZZ 140 020	P-BRONZE BEARING 60OD, 50ID, 50 LONG	4
420	ZZ 760 0317	UPLIFT PIN	2
421	ZZ 300 1001	1061 BRAKE BALANCE BAR & WASHERS	1
422	ZZ 315 2310	3500KG COUPLING ASSEMBLY	1
	ZZ 315 2340	3500KG COUPLING ASSY W/NATO EYE	
	ZZ 315 2330	3500KG COUPLING W/50MM BALL HEAD	
NOT SHOWN	ZZ 315 1800	300X60 BRAKE SHOE KIT	1
NOT SHOWN	ZZ 315 6005	HUB NUT	2
NOT SHOWN	ZZ 315 6006	DUST CAP	2
NOT SHOWN	ZZ 315 6007	BEARING & SEAL KIT	2

Clydesdale Ltd.

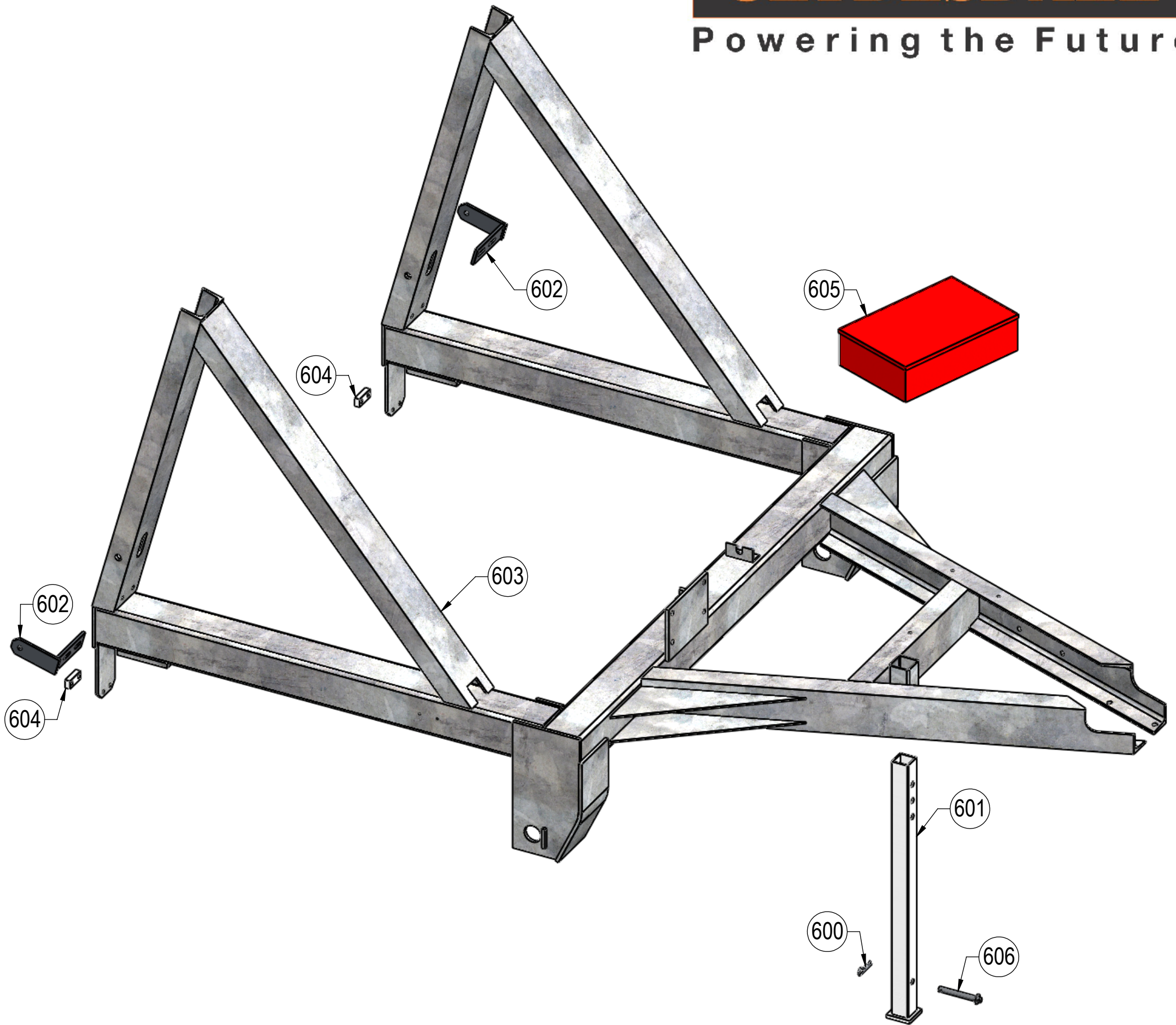
Walter Sample House, 3 Sunbeam Rd,
Woburn Rd Ind Est., Kempston,
Bedfordshire, MK42 7BZ
United Kingdom



ITEM NO.	KNOTT PART NUMBER	BRADLEY PART NUMBER	DESCRIPTION	Qty
500	ZZ 315 2004	ZZ 300 2204	HANDBRAKE LEVER	1
501	ZZ 315 2301	ZZ 300 2301	DAMPER	1
502	ZZ 315 2302	ZZ 315 2302	BELLOWS	1
503	ZZ 315 2305	ZZ 300 2005	ENERGY STORE	1
504	ZZ 315 2306	ZZ 315 2306	DRAW TUBE CW STOP RING	1
505	ZZ 315 2307	ZZ 315 2307	STOP RING	1
506	ZZ 315 2209	-	BLACK GRAB HANDLE	1
507	ZZ 315 2318	ZZ 300 2318	40MM CAST EYE	1
	ZZ 315 2348	ZZ 300 2348	76MM NATO EYE	
	ZZ 315 2358	ZZ 300 2358	50MM BALL HEAD	

Clydesdale Ltd.

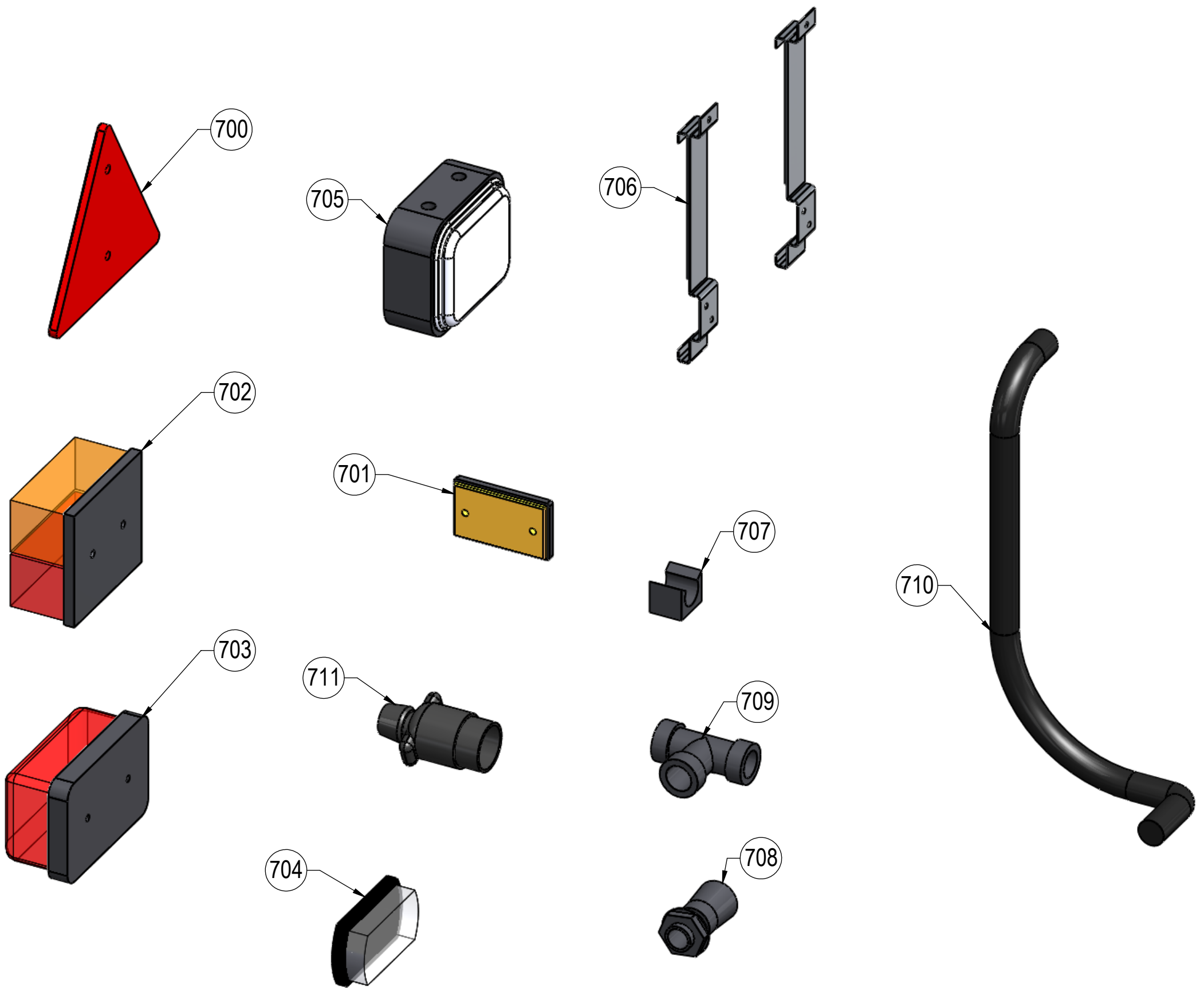
Walter Sample House, 3 Sunbeam Rd,
Woburn Rd Ind Est., Kempston,
Bedfordshire, MK42 7BZ
United Kingdom



ITEM NO.	PART NUMBER	DESCRIPTION	Qty
600	ZZ 105 04	R CLIP 4MM	1
601	ZZ 760 0201	FRONT STABILISER LEG	1
602	ZZ 760 0205	SLIDE GUIDE BRACKET	2
603	ZZ 760 2200	CHASSIS	1
604	ZZ 760 2203	SUSPENSION STOP	2
605	ZZ 910 014	RED TOOL BOX	1
606	ZZ 760 0317	UPLIFT PIN	1

Clydesdale Ltd.

Walter Sample House, 3 Sunbeam Rd,
Woburn Rd Ind Est., Kempston,
Bedfordshire, MK42 7BZ
United Kingdom



ITEM NO.	PART NUMBER	DESCRIPTION	Qty
700	ZZ 320 8101	REFLECTOR RED TRIANGLE	1
701	ZZ 320 8102	REFLECTOR - ORANGE SIDE	1
702	ZZ 320 8202	COMBI LAMP CLEAR	1
703	ZZ 320 8203	RF 179 FLAT MOUNTED FOG LAMP	1
704	ZZ 320 8204	FRONT MARKER LAMP	1
705	ZZ 320 8401	JUNCTION BOX 8-WAY	1
706	ZZ 325 9003	NUMBER PLATE SPRING CLIP - LARGE	2
707	ZZ 333 8601	CONDUIT CLIP	1
708	ZZ 333 8602	CONDUIT STRAIGHT ADAPTOR	1
709	ZZ 333 8603	CONDUIT T PIECE	1
710	ZZ 333 8604	M20 ADAPTAFLEX CONDUIT PER M	1
711	ZZ 320 8402	7-PIN PLUG	1

Clydesdale Ltd.

Walter Sample House, 3 Sunbeam Rd,
Woburn Rd Ind Est., Kempston,
Bedfordshire, MK42 7BZ
United Kingdom

CLYDESDALE Ltd. Specialist manufacturer and supplier of overhead line and underground cable installation equipment, associated tools and personal protective equipment (PPE).

www.clydesdale.net

Clydesdale Ltd
Walter Sample House
3 Sunbeam Rd
Woburn Rd Industrial Estate
Kempston
Bedfordshire MK42 7BZ

Tel: (0044) (0) 1234 855855
Fax: (0044) (0) 1234 855800

Clydesdale Ltd.

Walter Sample House, 3 Sunbeam Rd,
Woburn Rd Ind Est., Kempston,
Bedfordshire, MK42 7BZ
United Kingdom