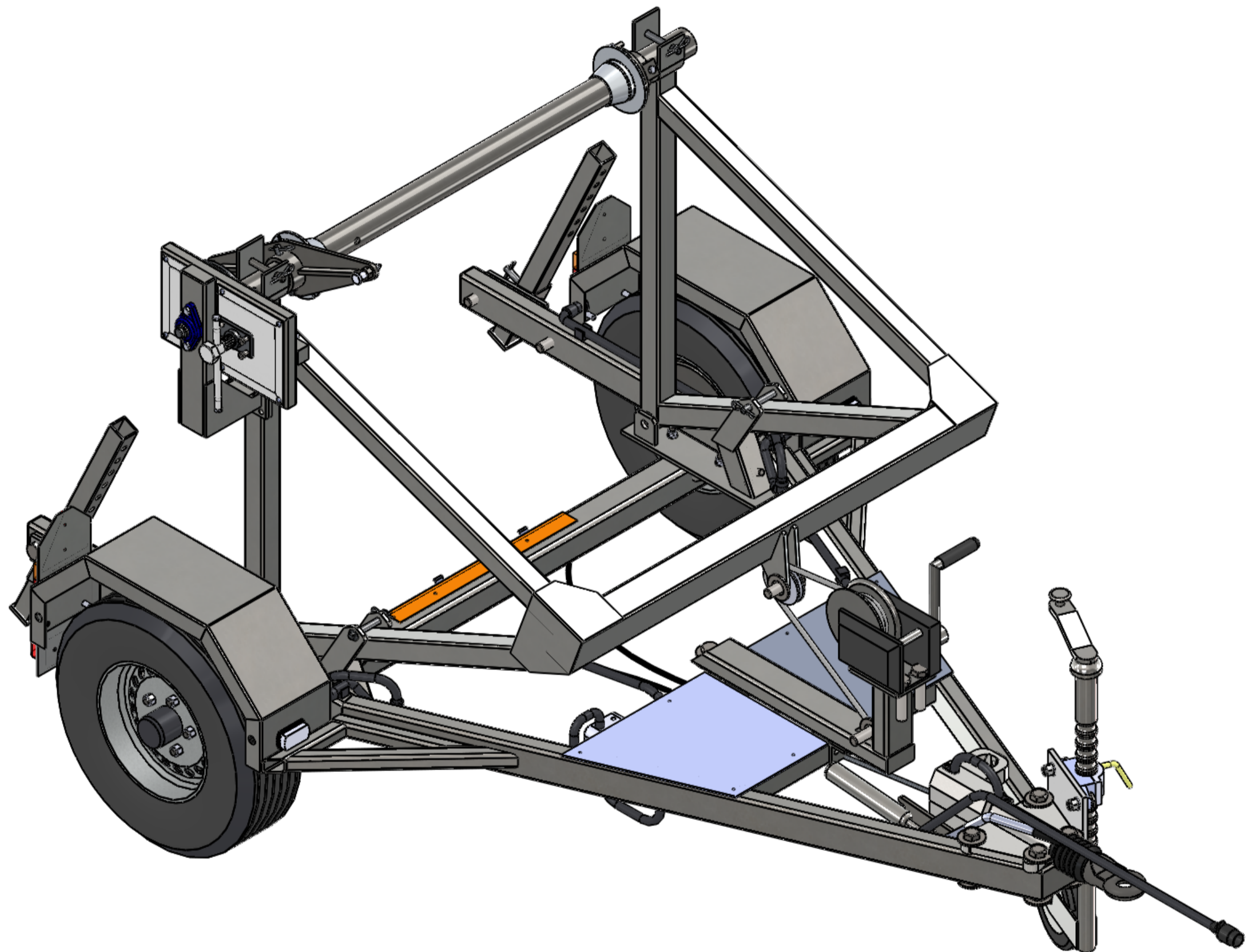


CLY 760 1300

1300kg Cable Drum Trailer

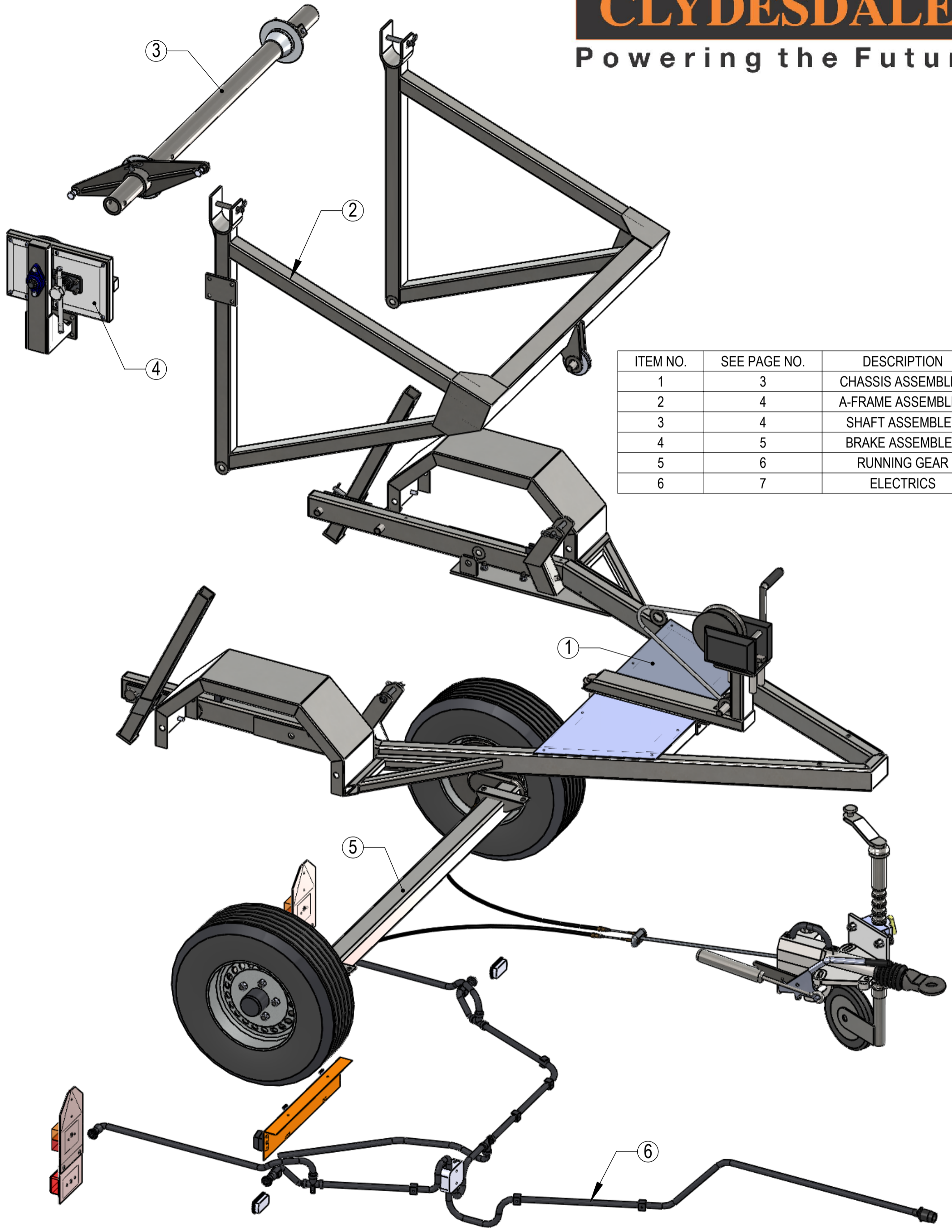
Illustrated Parts List



PLEASE QUOTE ANY RELEVANT SERIAL NUMBERS WHEN ORDERING SPARES.

Clydesdale Ltd.

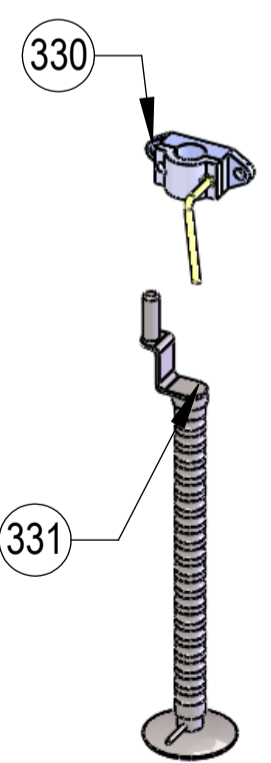
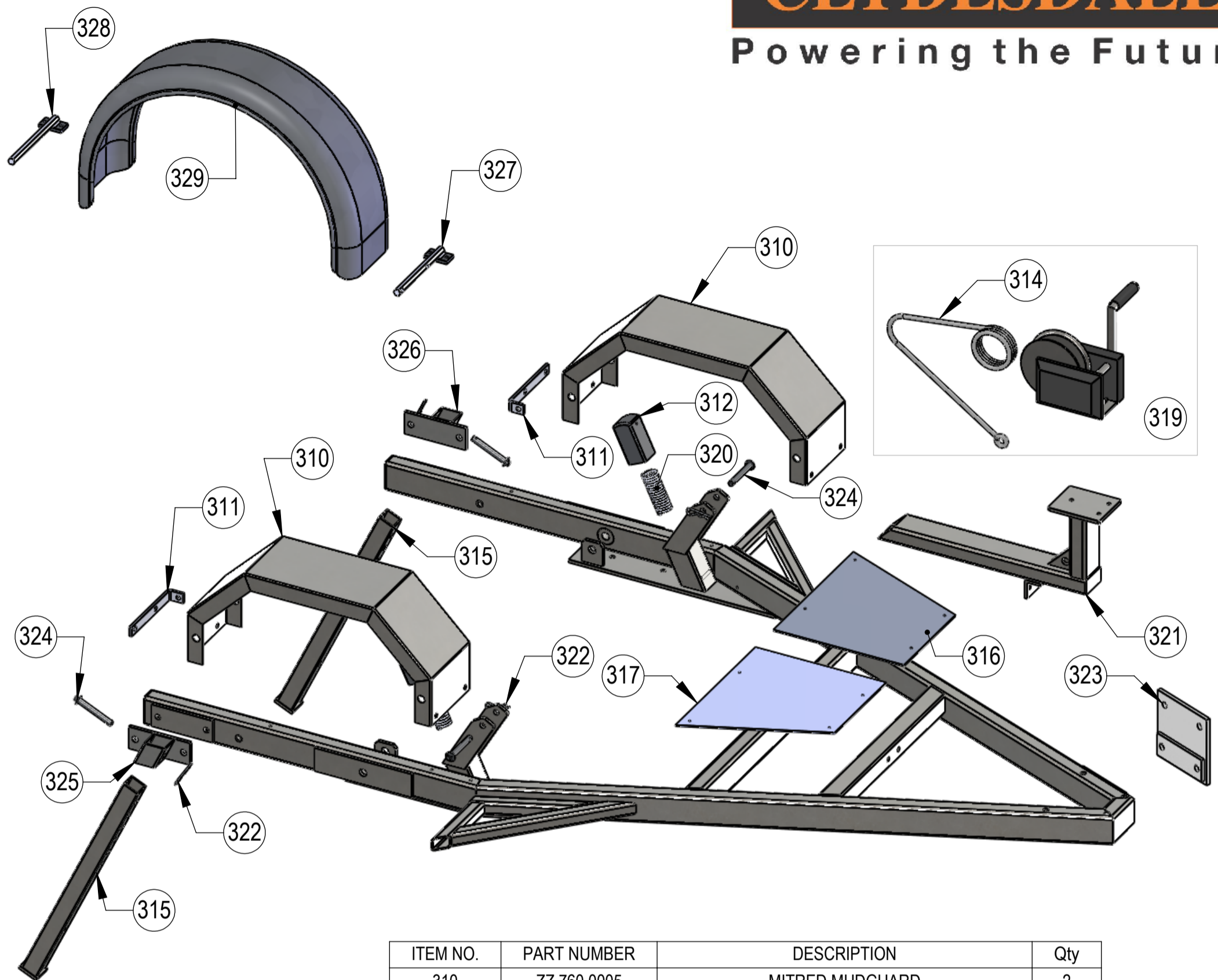
Walter Sample House, 3 Sunbeam Rd,
Woburn Rd Ind Est., Kempston,
Bedfordshire, MK42 7BZ
United Kingdom



ITEM NO.	SEE PAGE NO.	DESCRIPTION
1	3	CHASSIS ASSEMBLY
2	4	A-FRAME ASSEMBLY
3	4	SHAFT ASSEMBLY
4	5	BRAKE ASSEMBLY
5	6	RUNNING GEAR
6	7	ELECTRICS

Clydesdale Ltd.

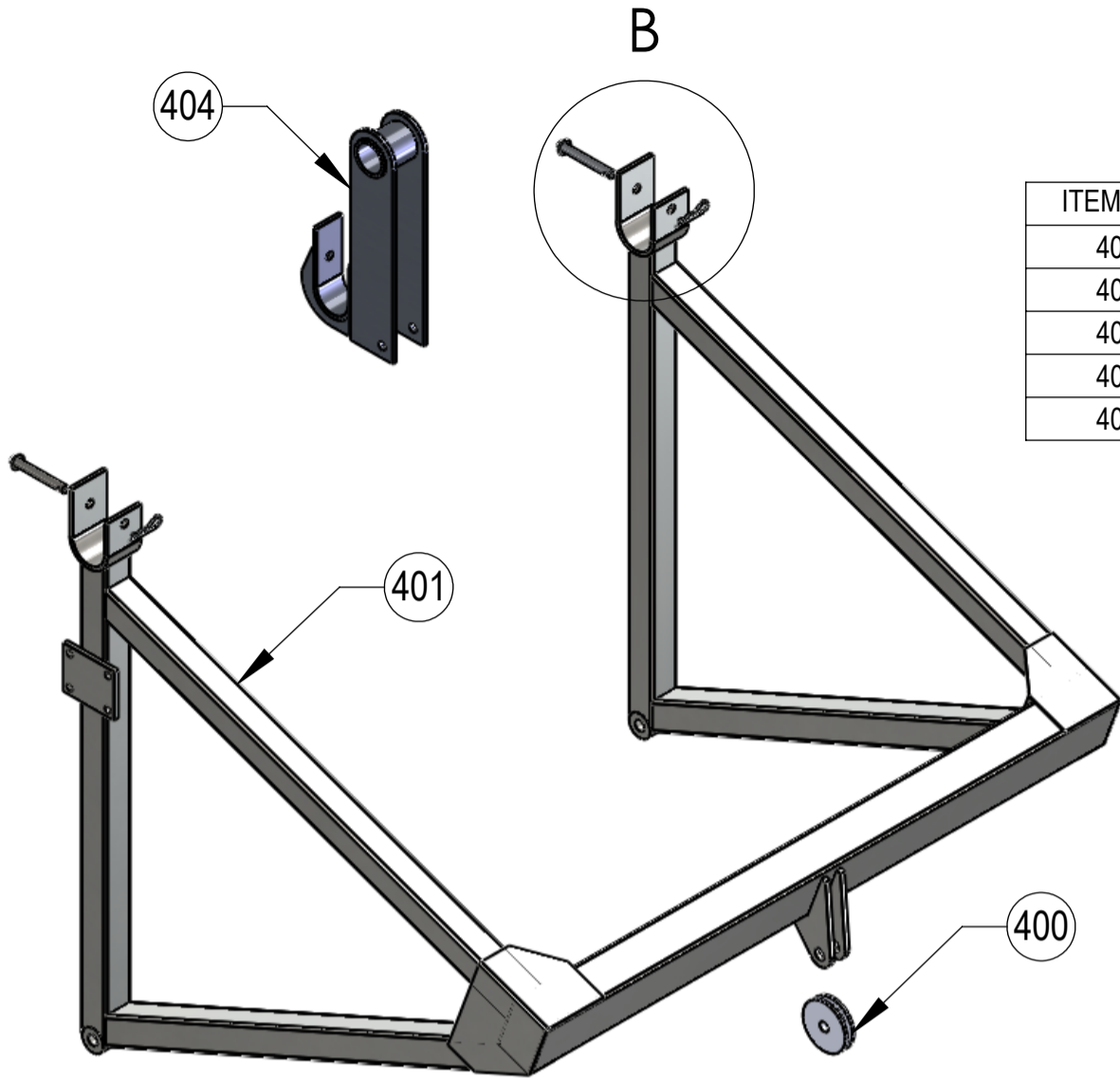
Walter Sample House, 3 Sunbeam Rd,
 Woburn Rd Ind Est., Kempston,
 Bedfordshire, MK42 7BZ
 United Kingdom



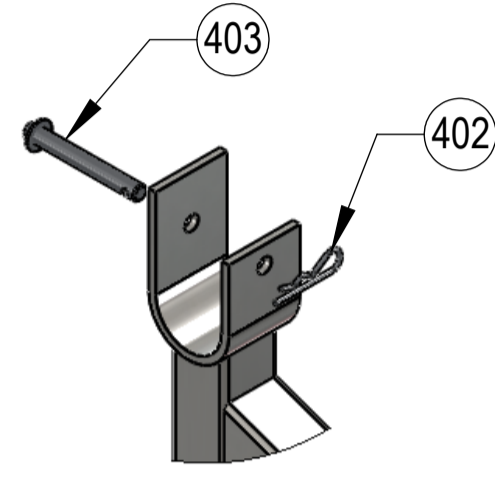
ITEM NO.	PART NUMBER	DESCRIPTION	Qty
310	ZZ 760 0005	MITRED MUDGUARD	2
311	ZZ 760 0006	MUDGUARD MOUNT BRACKET	2
312	ZZ 760 0009	PISTON	2
313	ZZ 760 0010	PISTON STOP	2
314	ZZ 760 0012	1061 WIRE WINCH ROPE 5M X 8MM	1
315	ZZ 760 0008	STABILISER LEG	2
316	ZZ 760 0015	COVER PLATE LEFT	1
317	ZZ 760 0016	COVER PLATE RIGHT	1
318	ZZ 760 2100	CHASSIS	1
319	ZZ 310 9001	HAND WINCH 1000KG	1
320	ZZ 760 0019	1061 AFRAPE CUSHION SPRING	2
321	ZZ 760 0011	WINCH ARM	1
322	ZZ 105 04	R CLIP 4MM	4
323	ZZ 760 0024	JOCKEY CLAMP RISER PLATE	1
324	ZZ 760 0317	UPLIFT PIN	4
325	ZZ 760 0321	RH STABILISER BRACKET	1
326	ZZ 760 0322	LH STABILISER BRACKET	1
327	ZZ 7600020	HEX BAR MUDGUARD MOUNT 1	2
328	ZZ 760 0021	HEX BAR MUDGUARD MOUNT 2	2
329	SS 9585-003	ROUNDED GALVANISED MUDGUARD	2
330	ZZ 315 5320	CLAMP SERRATED 48MM	1
331	ZZ 300 4002	PROPSTAND SER. 48MM W/ SHORT HANDLE	2

Clydesdale Ltd.

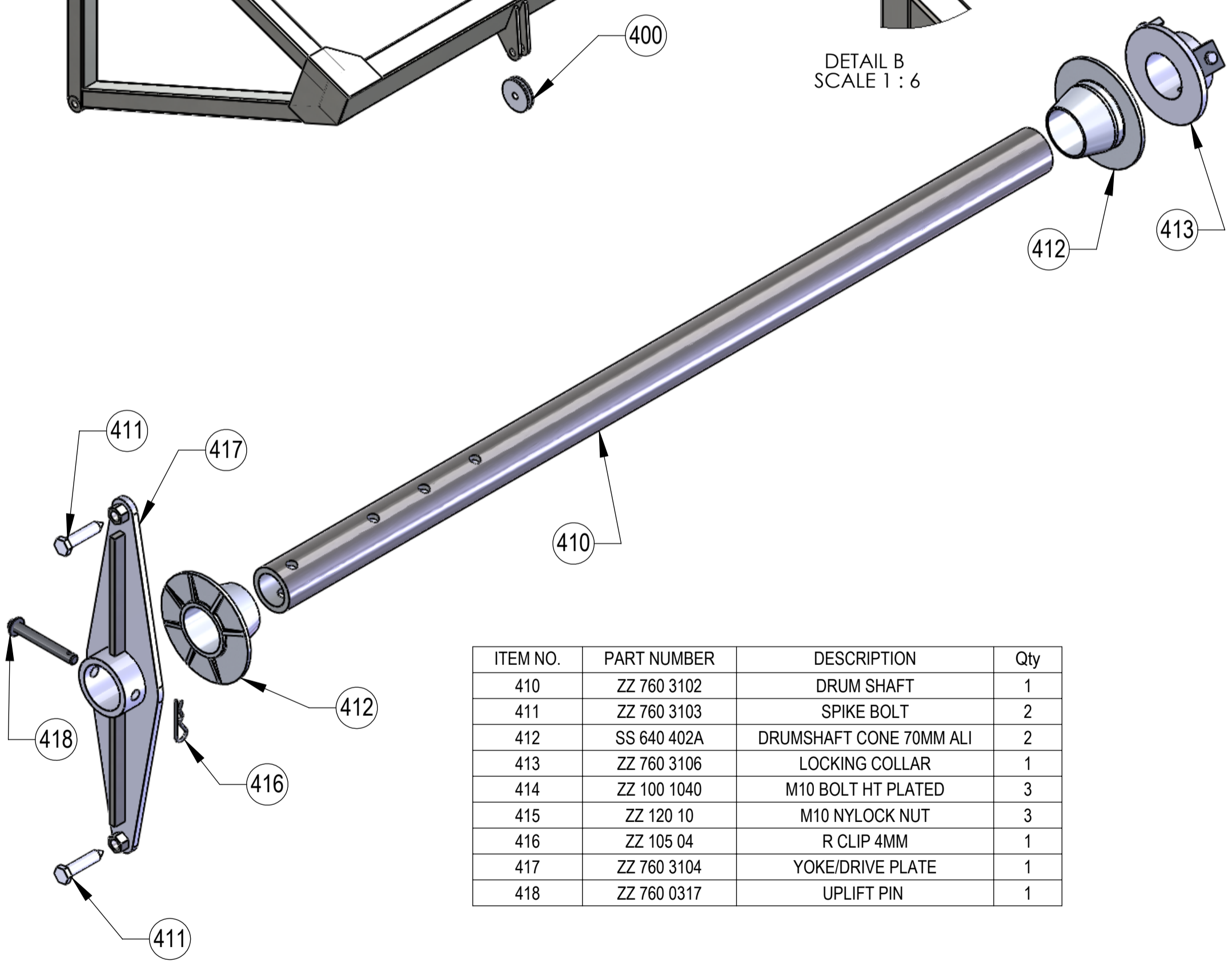
Walter Sample House, 3 Sunbeam Rd,
Woburn Rd Ind Est., Kempston,
Bedfordshire, MK42 7BZ
United Kingdom



ITEM NO.	PART NUMBER	DESCRIPTION	Qty
400	ZZ 760 0003	A-FRAME PULLEY	1
401	ZZ 760 1100	A-FRAME	1
402	ZZ 105 04	R CLIP 4MM	2
403	ZZ 760 0317	UPLIFT PIN	2
404	ZZ 760 3105	DROP DOWN BRACKET	2



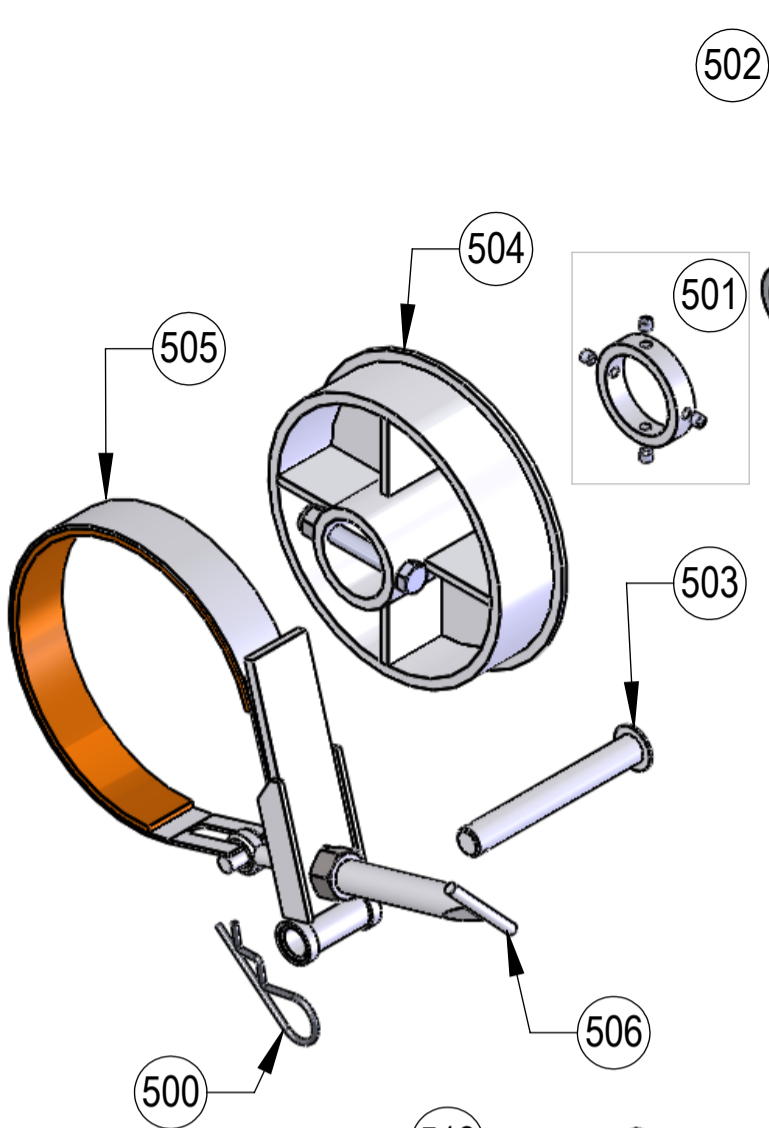
DETAIL B
SCALE 1 : 6



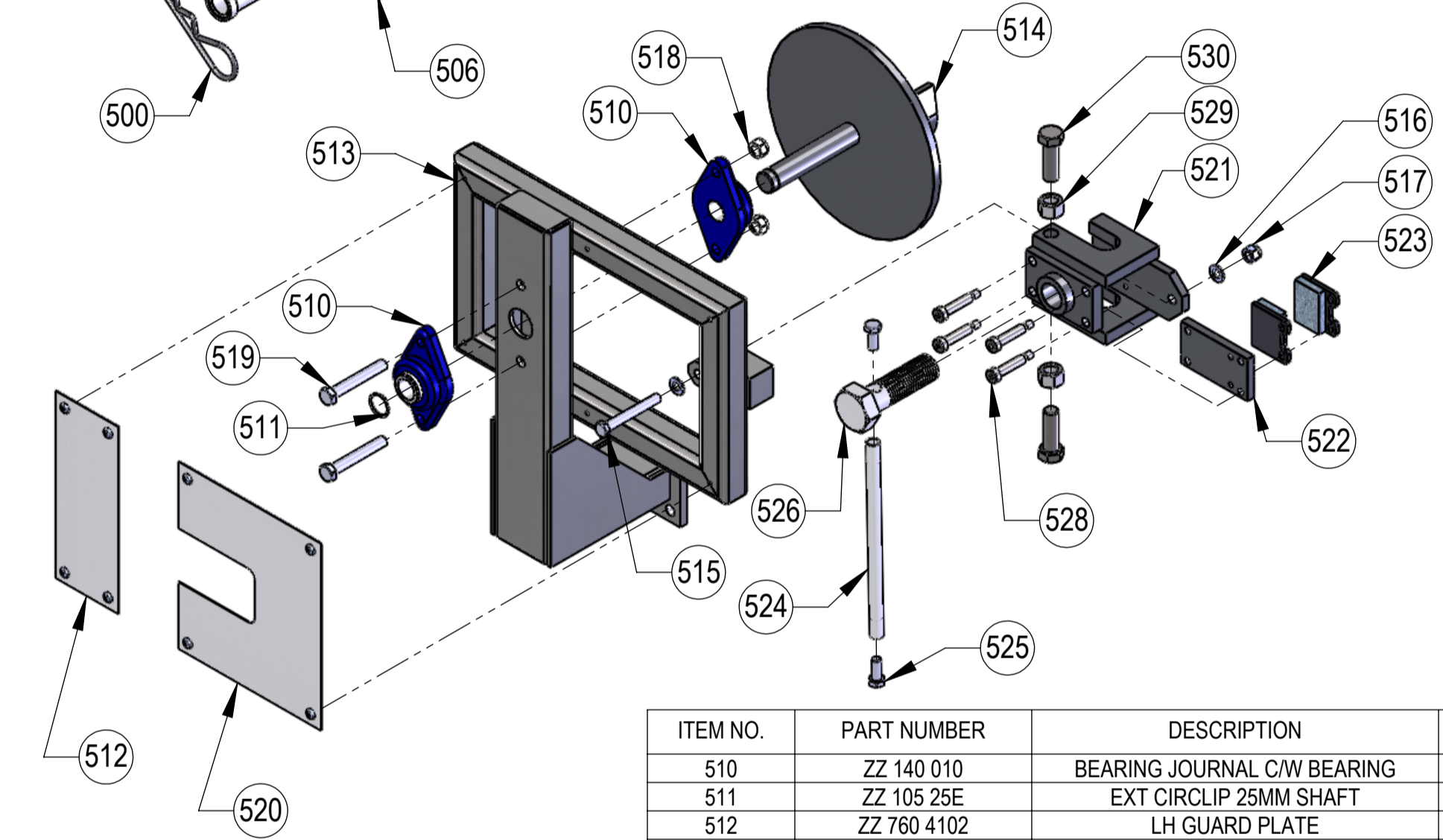
ITEM NO.	PART NUMBER	DESCRIPTION	Qty
410	ZZ 760 3102	DRUM SHAFT	1
411	ZZ 760 3103	SPIKE BOLT	2
412	SS 640 402A	DRUMSHAFT CONE 70MM ALI	2
413	ZZ 760 3106	LOCKING COLLAR	1
414	ZZ 100 1040	M10 BOLT HT PLATED	3
415	ZZ 120 10	M10 NYLOCK NUT	3
416	ZZ 105 04	R CLIP 4MM	1
417	ZZ 760 3104	YOKE/DRIVE PLATE	1
418	ZZ 760 0317	UPLIFT PIN	1

Clydesdale Ltd.

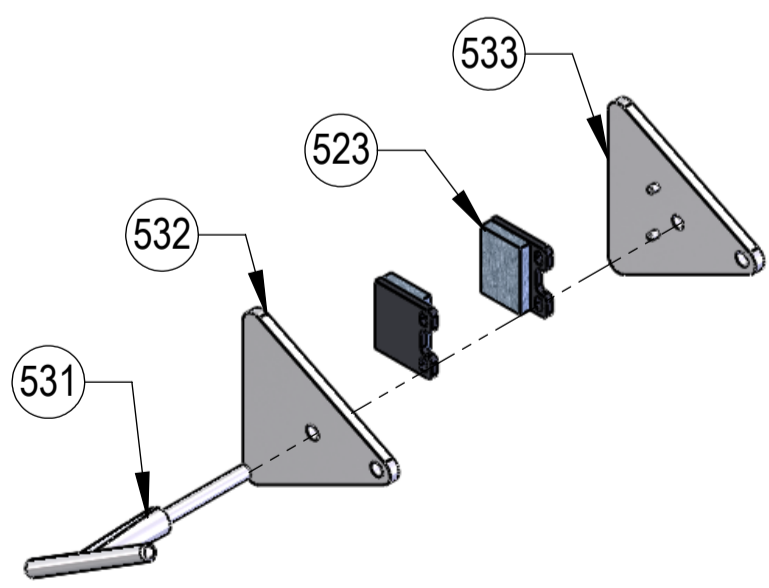
Walter Sample House, 3 Sunbeam Rd,
Woburn Rd Ind Est., Kempston,
Bedfordshire, MK42 7BZ
United Kingdom



ITEM NO.	PART NUMBER	DESCRIPTION	Qty
500	ZZ 105 05	R CLIP 5MM	1
501	ZZ 640 3002	COLLAR	1
502	ZZ 760 3102	DRUM SHAFT	1
503	ZZ 760 4111	BRAKE PIN	1
504	ZZ 640 4007	DRUM BRAKE	1
505	ZZ 640 4005	BRAKE BAND ASSEMBLY (INCLUDES T-HANDLE)	1
506	ZZ 640 4006	BRAKE BAND T-HANDLE	1

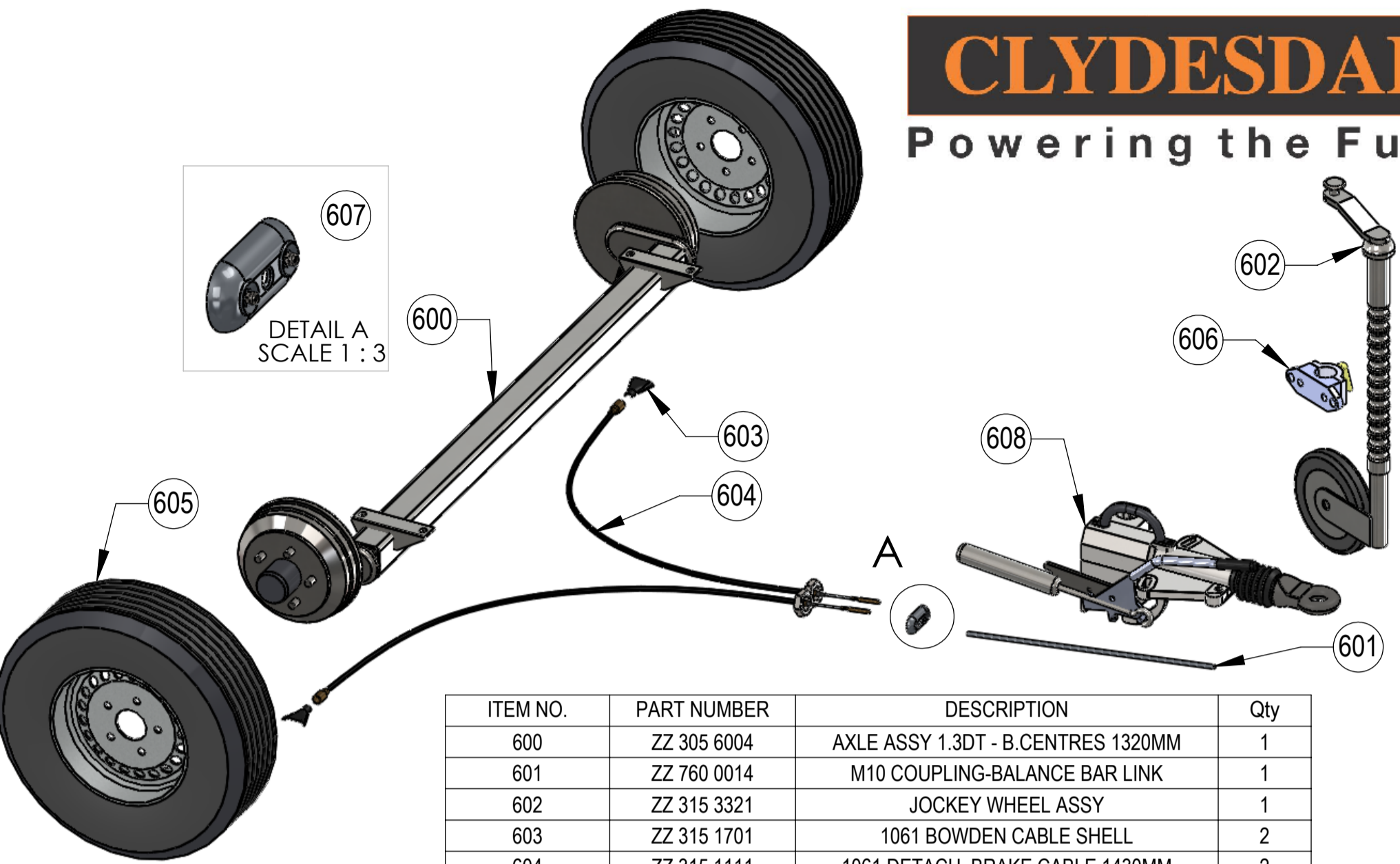


ITEM NO.	PART NUMBER	DESCRIPTION	Qty
510	ZZ 140 010	BEARING JOURNAL C/W BEARING	2
511	ZZ 105 25E	EXT CIRCLIP 25MM SHAFT	1
512	ZZ 760 4102	LH GUARD PLATE	1
513	ZZ 760 4101	BRAKE BRACKET	1
514	ZZ 760 4104	BRAKE DISC	1
515	ZZ 100 1080	M10 x 80MM BOLT HT PT	1
516	ZZ 110 10	M10 NORM WASHER	2
517	ZZ 120 10	M10 NYLOCK NUT	1
518	ZZ 120 12	M12 NYLOCK NUT	2
519	ZZ 100 1280	M12 X 80 BOLT HT PLATED	2
520	ZZ 760 4124	MECH CALIPER GUARD	1
521	ZZ 760 4121	MECHANICAL M30 SCREW CALIPER	1
522	ZZ 760 4122	CALIPER SLIDE PLATE	1
523	ZZ 331 0001	BRAKE PAD	2
524	ZZ 760 4126	LEVER BAR	1
525	ZZ 100 1040	M10 BOLT HT PLATED	2
526	ZZ 760 4125	M30 BOLT W/HOLE	1
528	ZZ 100 0840S	M8 X 40 SHOULDER BOLT	4
529	ZZ 121 16	M16 NORMAL NUT	2
530	ZZ 100 1650	M16 X 50 BOLT	2
531	ZZ 760 4105	M10 T BOLT	1
532	ZZ 760 4106	WEDGE PLATE W/M10 CL HOLE	1
533	ZZ 331 0001	WEDGE PLATE W/M10 HOLE	1



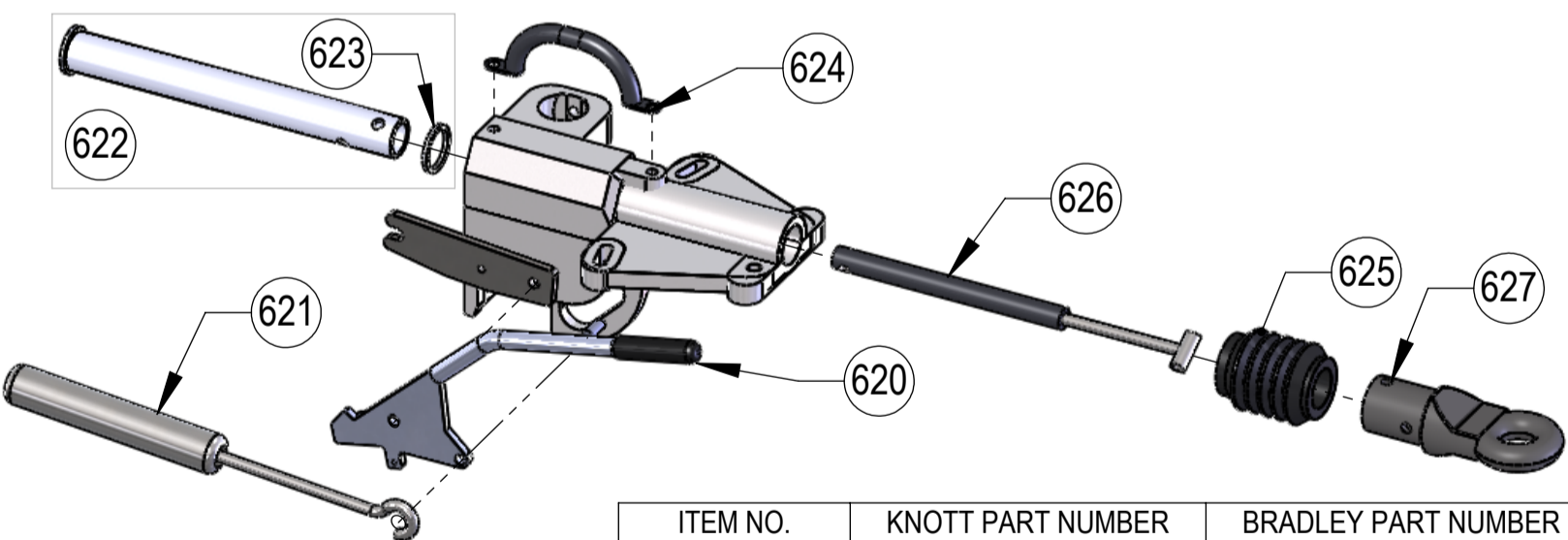
Clydesdale Ltd.

Walter Sample House, 3 Sunbeam Rd,
Woburn Rd Ind Est., Kempston,
Bedfordshire, MK42 7BZ
United Kingdom



ITEM NO.	PART NUMBER	DESCRIPTION	Qty
600	ZZ 305 6004	AXLE ASSY 1.3DT - B.CENTRES 1320MM	1
601	ZZ 760 0014	M10 COUPLING-BALANCE BAR LINK	1
602	ZZ 315 3321	JOCKEY WHEEL ASSY	1
603	ZZ 315 1701	1061 BOWDEN CABLE SHELL	2
604	ZZ 315 1111	1061 DETACH. BRAKE CABLE 1430MM	2
605	ZZ 330 7005	WHEEL ASSY 185R14 CV3000 5 1/2JX14	2
606	ZZ 315 5320	JOCKEY WHEEL CLAMP	1
607	ZZ 300 1001	1061 BRAKE BALANCE BAR & WASHERS	1
608	ZZ 315 2210	HITCH ASSY 1300-2000KG W/40MM EYE	1
	ZZ 315 2240	HITCH ASSY 2000KG W/NATO EYE	
	ZZ 315 2230	HITCH ASSY 2000KG W/50MM BALL HEAD	
NOT SHOWN	ZZ 315 6001	M16 SPHERICAL WHEEL NUT	10
NOT SHOWN	ZZ 315 1700	BRAKE SHOE KIT (INC. SHOES&SPRINGS)	1
NOT SHOWN	ZZ 315 6003	HUB NUT	2
NOT SHOWN	ZZ 315 6006	DUST CAP	2
NOT SHOWN	ZZ 315 6002	BEARING & SEAL KIT	2

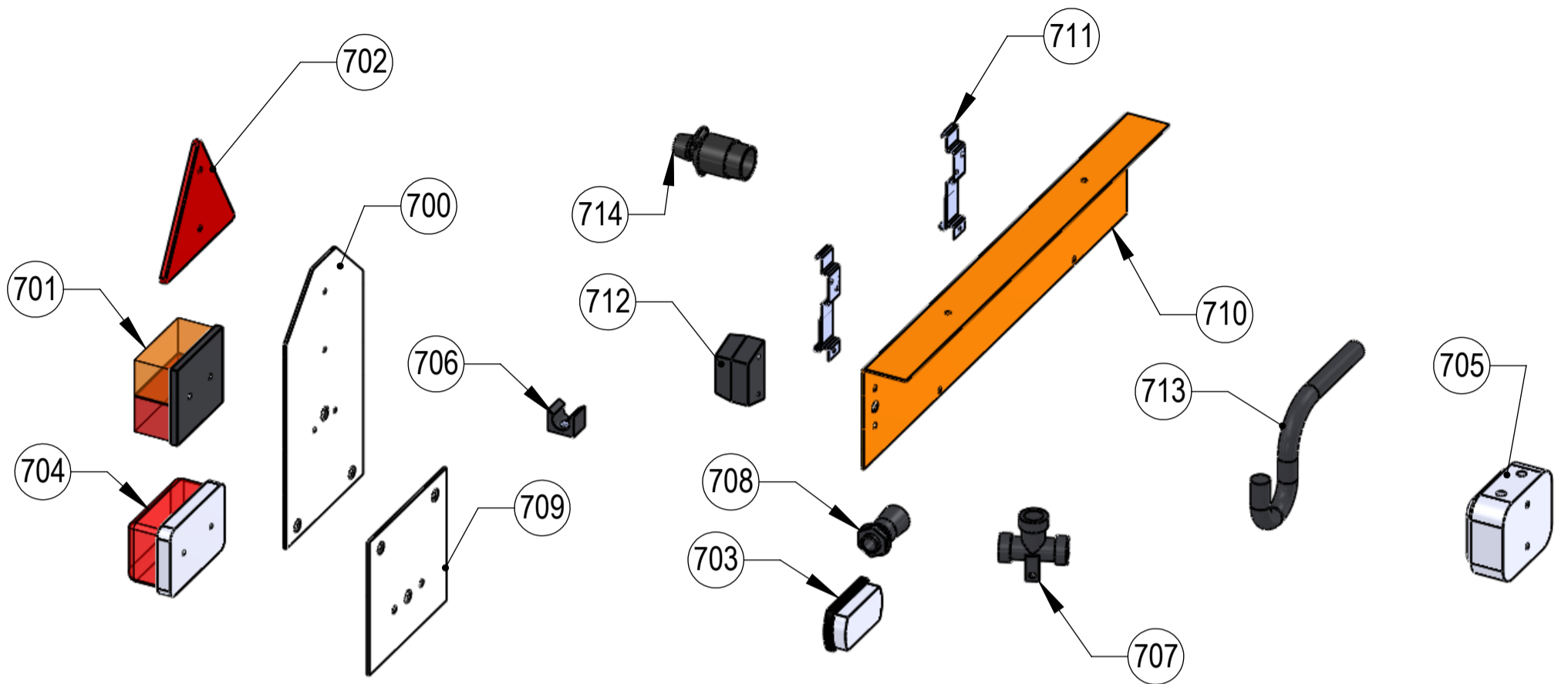
ABOVE SPARES RELATE TO KNOTT/AVONRIDE EQUIPMENT. ALL SYSTEM SL COMPONENTS FOR BRADLEY V18F AXLES NOW OBSOLETE.



ITEM NO.	KNOTT PART NUMBER	BRADLEY PART NUMBER	DESCRIPTION	Qty
620	ZZ 315 2004	ZZ 300 2204	HANDBRAKE LEVER	1
621	ZZ 315 2205	ZZ 300 2205	ENERGY STORE	1
622	ZZ 315 2206	ZZ 300 2206	DRAW TUBE CW STOP RING	1
623	ZZ 315 2207	ZZ 300 2207	STOP RING	1
624	ZZ 315 2209	-	BLACK GRAB HANDLE	1
625	ZZ 315 2262	ZZ 300 2202	BELLOWS	1
626	ZZ 315 2461	ZZ 300 2201	DAMPER	1
627	ZZ 315 2218	ZZ 300 2228	40MM EYE	1
	ZZ 315 2248	ZZ 300 2248	76MM NATO EYE	
	ZZ 315 2258	ZZ 300 2258	50MM BALL HEAD	
NOT SHOWN	ZZ 315 2003	ZZ 315 2003	BREAKAWAY CABLE	1

Clydesdale Ltd.

Walter Sample House, 3 Sunbeam Rd,
Woburn Rd Ind Est., Kempston,
Bedfordshire, MK42 7BZ
United Kingdom



ITEM NO.	PART NUMBER	DESCRIPTION	Qty
700	ZZ 760 0004	REAR LIGHT CLUSTER PLATE	2
701	ZZ 320 8202	COMBI LAMP CLEAR	2
702	ZZ 320 8101	REFLECTOR RED TRIANGLE	2
703	ZZ 320 8204	FRONT MARKER LAMP	2
704	ZZ 320 8203	RF 179 FLAT MOUNTED FOG LAMP	1
705	ZZ 320 8401	JUNCTION BOX 8-WAY	1
706	ZZ 333 8601	CONDUIT CLIP	9
707	ZZ 333 8603	CONDUIT T PIECE	3
708	ZZ 333 8602	CONDUIT STRAIGHT ADAPTOR	4
709	ZZ 760 0017	FOG LAMP MOUNT PLATE	1
710	ZZ 760 0018	AXLE MOUNTED HOLDER	1
711	ZZ 310 9002	NUMBER PLATE SPRING CLIP PAIR	1
712	ZZ 320 8201	NUMBER PLATE LAMP	1
713	ZZ 333 8604	ADAPTAFLEX CONDUIT M20	9
714	ZZ 320 8402	7-PIN PLUG	1

Clydesdale Ltd.

Walter Sample House, 3 Sunbeam Rd,
 Woburn Rd Ind Est., Kempston,
 Bedfordshire, MK42 7BZ
 United Kingdom

CLYDESDALE Ltd. Specialist manufacturer and supplier of overhead line and underground cable installation equipment, associated tools and personal protective equipment (PPE).

www.clydesdale.net

Clydesdale Ltd
Wally Sample House
3 Sunbeam Rd
Woburn Rd Industrial Estate
Kempston
Bedfordshire MK42 7BZ

Tel: (0044) (0) 1234 855855
Fax: (0044) (0) 1234 855800

Clydesdale Ltd.

Wally Sample House, 3 Sunbeam Rd,
Woburn Rd Ind Est., Kempston,
Bedfordshire, MK42 7BZ
United Kingdom