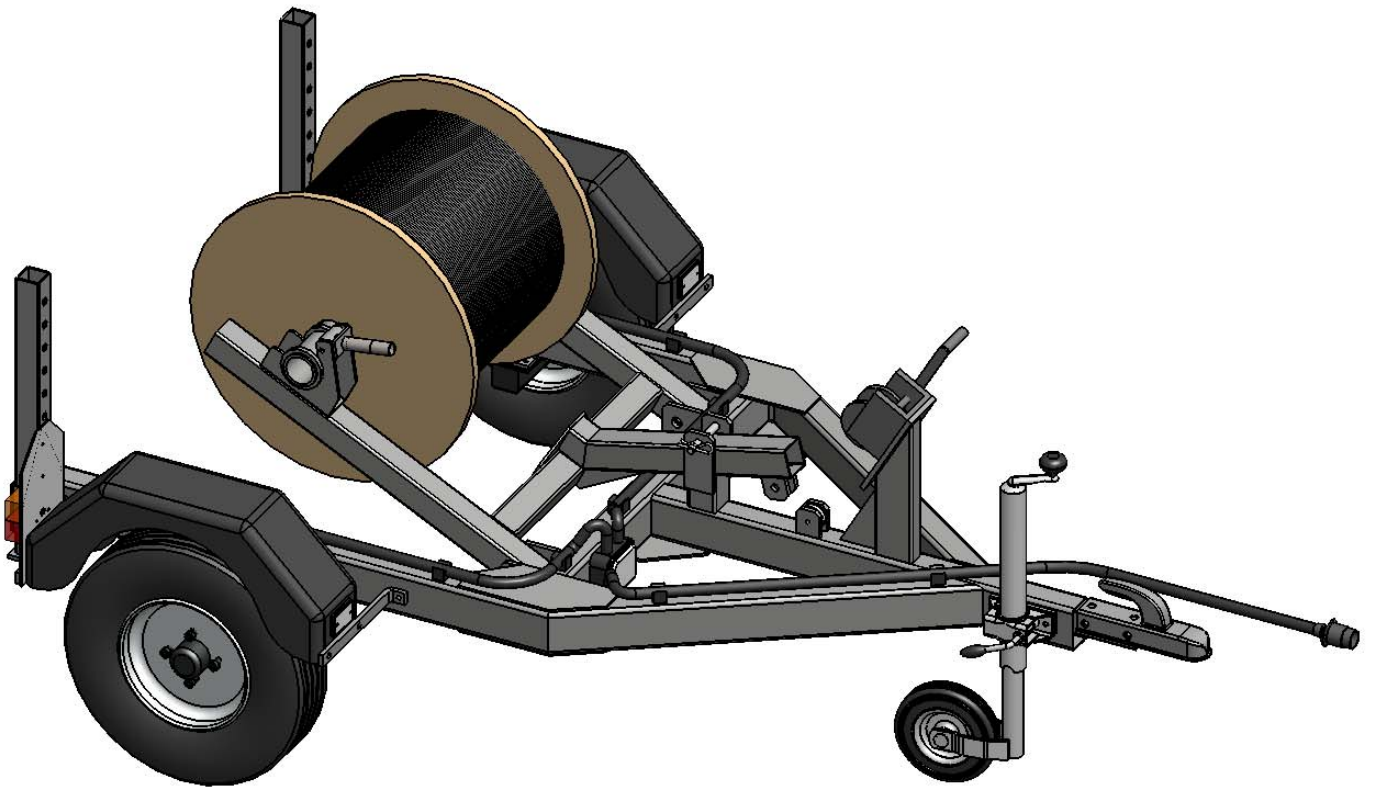


# CLY 760 350 & CLY 760 260 Service Cable Drum Trailer

## Illustrated Parts List



**PLEASE QUOTE THE TRAILER SERIAL NUMBER WHEN ORDERING SPARES.**

**Clydesdale Ltd.**

Instal House, 3 Sunbeam Road,  
Woburn Road Ind. Est., Kempston,  
Bedfordshire MK42 7BZ  
United Kingdom



Tel: +44 (01234) 855855  
Fax: +44 (01234) 855800  
E-mail: [sales@clydesdale.ltd.uk](mailto:sales@clydesdale.ltd.uk)  
[www.clydesdale.ltd.uk](http://www.clydesdale.ltd.uk)



**Clydesdale Ltd.**

Instal House, 3 Sunbeam Road,  
Woburn Road Ind. Est., Kempston,  
Bedfordshire MK42 7BZ  
United Kingdom



Tel: +44 (01234) 855855  
Fax: +44 (01234) 855800  
E-mail: sales@clydesdale.ltd.uk  
www.clydesdale.ltd.uk

| BOM Table |                |                                       |      |
|-----------|----------------|---------------------------------------|------|
| ITEM NO.  | PART NUMBER    | DESCRIPTION                           | QTY. |
| 1         | ZZ 760 2500    | CHASSIS                               | 1    |
| 2         | ZZ 330 0012    | 550KG SUSPENSION UNIT PAIR            | 1    |
| 3         | ZZ 330 7002    | WHEEL & TYRE ASSEMBLY                 | 2    |
| 4         | ZZ 330 9003    | BLACK PLASTIC MUDGUARD TO FIT 10" RIM | 2    |
| 5         | ZZ 315 5310    | JOCKEY CLAMP 48MM PRESSED             | 1    |
| 6         | ZZ 315 3311    | JOCKEY ASSEMBLY 48MM SMOOTH           | 1    |
| 6.6       | ZZ 315 3311LEG |                                       | 1    |
| 7         | ZZ 760 0004    | REAR LIGHT CLUSTER PLATE              | 2    |
| 8         | ZZ 320 8101    | REFLECTOR RED TRIANGLE                | 2    |
| 9         | ZZ 320 8202    | COMBI LAMP CLEAR                      | 2    |
| 10        | ZZ 320 TL333   | REFLECTOR - FRONT WHITE               | 2    |
| 11        | ZZ 320 8401    | JUNCTION BOX 8 WAY                    | 1    |
| 12        | ZZ 760 0501    | MUDGUARD BRACKET                      | 4    |
| 13        | ZZ 760 0502    | STABILISER LEG                        | 2    |
| 14        | ZZ 760 1501    | DRUM FRAME                            | 1    |
| 15        | ZZ 760 3510    | QUICK RELEASE HOLDER                  | 2    |
| 15.1      | ZZ 760 3501    | QUICK RELEASE MECH                    | 1    |
| 15.2      | ZZ 760 3502    | CAM STOP                              | 1    |
| 15.3      | ZZ 760 3503    | RELEASE KNOB                          | 1    |
| 15.4      | ZZ 760 3504    | COMPRESSION SPRING                    | 1    |
| 16        | ZZ 760 3505    | SHAFT                                 | 1    |
| 18        | ZZ 760 0317    | UPLIFT PIN 170mm                      | 3    |
| 19        | ZZ 105 04      | R CLIP 4MM                            | 3    |
| 20        | ZZ 1021 04     | NYLON ROLLER                          | 1    |
| 21        | ZZ 333 8601    | CONDUIT CLIP                          | 9    |
| 22        | ZZ 330 0006    | 50MM BALL COUPLING                    | 1    |
| 23        | ZZ 910 101     | HAND WINCH                            | 1    |
| 24        | ZZ 333 8604    | M20 CONDUIT                           | 3    |
| 25        | ZZ 320 8402    | 7-PIN PLUG                            | 1    |

**Clydesdale Ltd.**

Instal House, 3 Sunbeam Road,  
Woburn Road Ind. Est., Kempston,  
Bedfordshire MK42 7BZ  
United Kingdom



Tel: +44 (01234) 855855  
Fax: +44 (01234) 855800  
E-mail: sales@clydesdale.ltd.uk  
www.clydesdale.ltd.uk

**CLYDESDALE Ltd. Specialist manufacturer and supplier of overhead line and underground cable installation equipment, associated tools and personal protective equipment (PPE).**



[www.clydesdale.ltd.uk](http://www.clydesdale.ltd.uk)

**Clydesdale Ltd.**

Instal House, 3 Sunbeam Rd,  
Woburn Rd Industrial Estate  
Kempston, Beds MK42 7BZ  
Tel: (0044) (0) 1234 855855  
Fax: (0044) (0) 1234 855800