

3200
2000kg Underground Cable Winch
Illustrated Parts List

CLYDESDALE
Powering the Future



Please quote any visible machine or part numbers
when ordering spares.

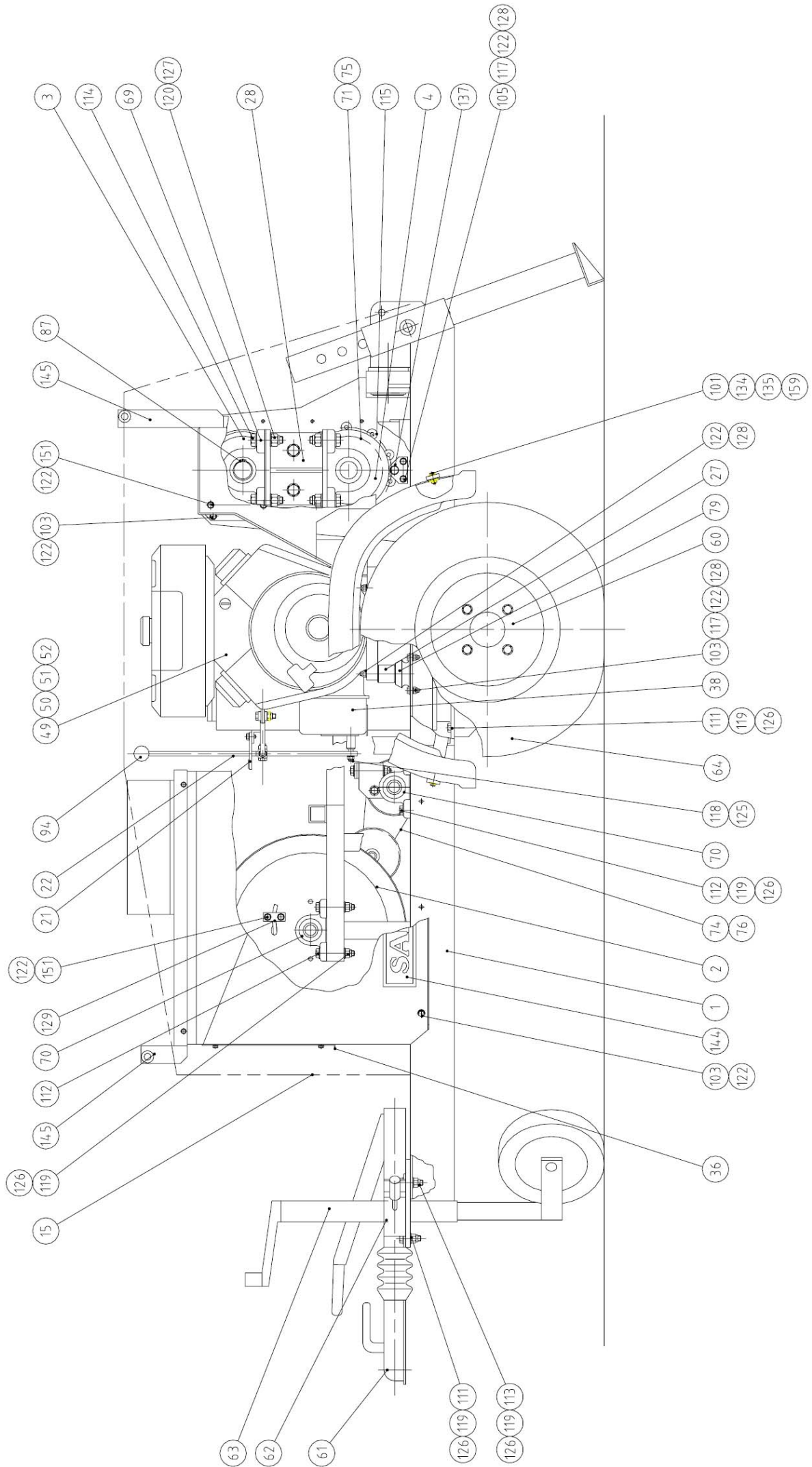
Clydesdale Ltd.

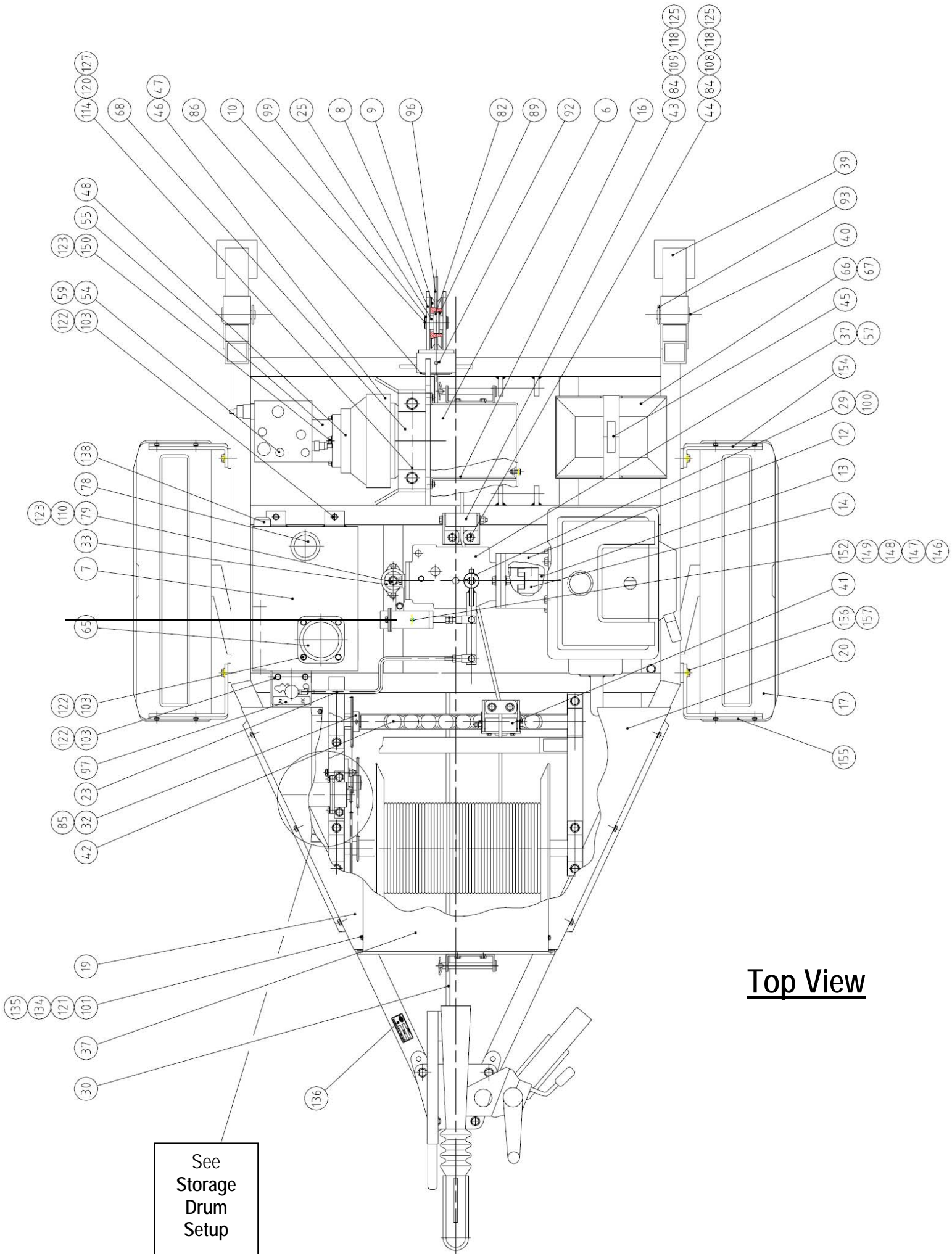


Instal House, 3 Sunbeam Road,
Woburn Road Ind. Est., Kempston,
Bedfordshire MK42 7BZ
United Kingdom

Tel: +44 (01234) 855855
Fax: +44 (01234) 855800
E-mail: sales@clydesdale.net
www.clydesdale.net
DP3200 CFB 25/06/07 Rev4

Side View





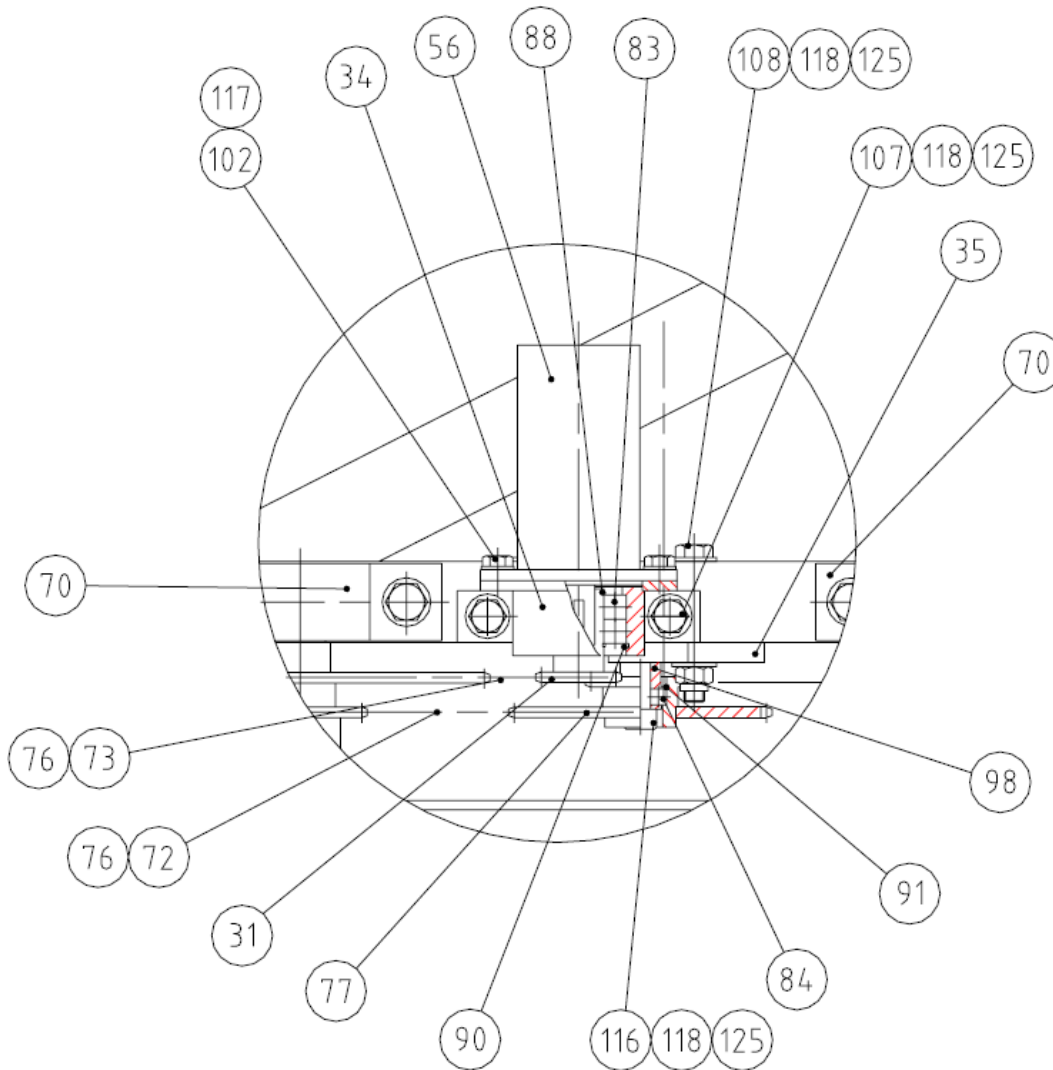
Top View

Side & Top Views			
Ref. No.	Part Number	Description	Qty.
1	3200-5001	Frame	1
2	3200-5044	Drum	1
3	3200-5006	Bullwheel - upper	1
4	3200-5007	Bullwheel - lower	1
5	3200-5008	Shaft - upper camshaft wheel	1
6	3200-5037	Bullwheel protection	1
7	3200-5005	Hydraulic tank	1
8	3200-5009	Housing guide roller	1
9	3200-5010	Guid roller	1
10	3200-5011	Shaft for break roller	1
11	3200-5043	Mudflap	2
12	3200-5021	Distance piece	1
13	3200-5013	Spacer pipe - engine	1
14	3200-1020	Shaft coupling	1
15	3200-0010	Cover	1
16	3200-5014	Joint	1
17	3200-5015	Guide	2
18	3200-5016	Arm	1
19	3200-5046	Casing left hand part	1
20	3200-5036	Casing right hand part	
21	3200-5017	Guide plate	1
22	3200-5018	Control arm	1
23	3200-5019	Control rod	1
25	3200-5012	Spacer pipe - guide roller	2
26	3200-5029	Mudguard washer	4
27	3200-5031	Engine spacer - raised section	2
28	3200-5038	Shaft spacer	1
29	3200-5020	Sleeve	1
30	3200-5030	Brake rod	1
32	3200-5034	Chain wheel, z=41	1
33	3200-5039	Support	1
36	3200-5035	Casing - front section	1
37	3200-5032	Casing - upper section	1
38	3200-5048	Silencer	1
39	3200-5049	Support leg	2
40	9804-2223	Pin	2
41	3200-1010	Auto layer guide	1
42	3200-5053	Auto layer screw	1
43	3200-5055	Roller	1
44	3200-5054	Roller	2
45	9819-005	Battery lock	1

Side & Top Views Cont..			
Ref. No.	Part Number	Description	Qty.
46	9680-002	Planetary gear	1
47	9687-002	Sleeve	1
48	9686-001	Flange	1
49	9601-1801	Engine B+S 18hp	1
50	9601-5010	Manifold	1
51	9601-5020	Adapter - oil filter	1
52	9601-5030	Gasket - oil filter	1
54	3200-1040	Valve block	1
55	9641-10201	Hydraulic motor	1
57	9642-04001	Transmission pump	1
60	9580-001	Axle	1
61	9582-006	Push brake	1
62	9583-002	Clamping sleeve	1
63	9583-001	Jockey wheel	1
64	9581-005	Wheel	2
65	9671-002	Hydraulic filter	1
66	9713-002	Battery box	1
67	9713-001	Battery	1
68	9231-309	Bearing housing	1
69	9231-208	Bearing housing	2
71	3200-5058	Roller chain	1
74	3200-5072	Roller chain	1
75	9542-16B-1	Straight coupling link	1
76	9542-06B-1	Straight coupling link	1
78	9674-002	Air bleed filter	1
79	9503-002	Isolator	3
82	9201-6006-2	Grooved ball bearing	1
84	9201-6000-2	Grooved ball bearing	6
85	9374-08016	Stop screw	1
86	9302-070	Retaining ring	1
87	9302-040	Retaining ring	2
88	9302-025	Retaining ring	1
89	9301-055	Retaining ring	1
92	9551-06	Lubricating nipple	1
93	9343-04532	Ring pin	2
94	9511-4012	Handle ball	1
95	9589-005	Fork	2
96	7546-001	Steel cable	1
97	9950-005	Sign	1
99	9302-030	Retaining ring	2

Side & Top Views Cont....			
Ref. No.	Part Number	Description	Qty.
100	9481-004	Pressure spring	2
101	9361-06020	Screw M6S M6x20	10
103	9361-08020	Screw M6S M8x20	29
104	9361-08030	Screw M6S M8x30	4
105	9361-08040	Screw M6S M8x40	4
106	9361-10040	Screw M6S M 1 Ox40	2
108	9361-10080	Screw M6S M 1 Ox80	2
109	9361-10100	Screw M6S M10x100	1
110	9361-12030	Screw M6S M12x30	1
111	9361-12040	Screw M6S M 12x40	8
112	9361-12080	Screw M6S M12x80	8
113	9361-12130	Screw M6S M12x130	4
114	9361-16070	Screw M6S M16x70	6
115	9372-12050	Allen screw MF6S M12x50	10
117	9441-084	Washer BRB 8,4/17x1,6	15
118	9441-105	Washer BRB 10,5/21x2	8
119	9441-130	Washer BRB 13/24x2,5	32
120	9441-170	Washer BRB 17/30x3	12
121	9444-061	Spring washer FBB 6, 1	15
122	9444-082	Spring washer FBB 8,2	26
123	9444-102	Spring washer FBB 1 0,2	5
124	9422-08	Lock nut M8	13
125	9422-10	Lock nut M10	6
126	9422-12	Lock nut M12	16
127	9422-16	Lock nut M16	6
128	9421-08	Nut M8	4
129	3200-5063	Locking plate	1
134	9441-064	Washer BRB 6,1/12,5x1,6	8
135	9421-06	Nut M6	8
136	9950-001	Mashine data plate	1
137	3200-5070	Silding off guard	1
138	9673-001	Level glass	1

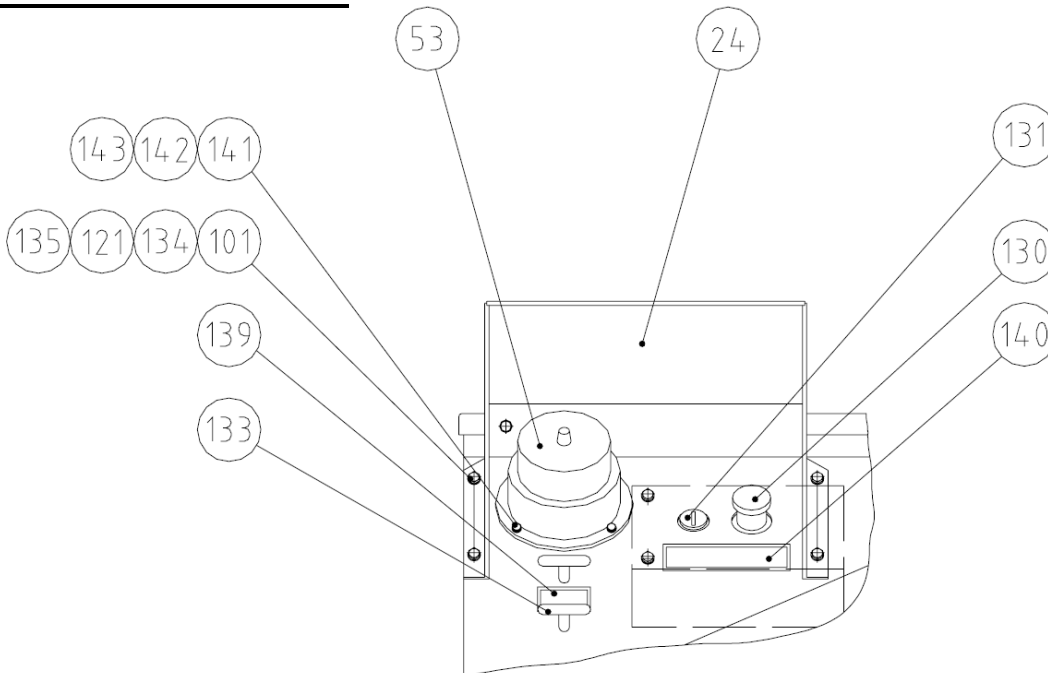
Storage Drum Drive



Storage Drum Drive			
Ref. No.	Part Number	Description	Qty.
31	3200-5033	Chain wheel z=12	1
34	3200-5040	Bearing housing	1
35	3200-5041	Chain tensioner	1
56	9641-03201	Hydraulic motor	1
70	9231-205	Bearing housing	4
72	3200-5072	Roller chain	1
73	3200-5060	Roller chain	1
76	9542-06B-1	Straight coupling link	2
77	3200-5056	Chain wheel	1
83	9201-6005-2	Grooved ball bearing	2
84	9201-6000-2	Grooved ball bearing	1
88	9302-025	Retaining ring	3
90	9301-047	Retaining ring	1
91	9301-026	Retaining ring	1
98	3200-5062	Spacer	1

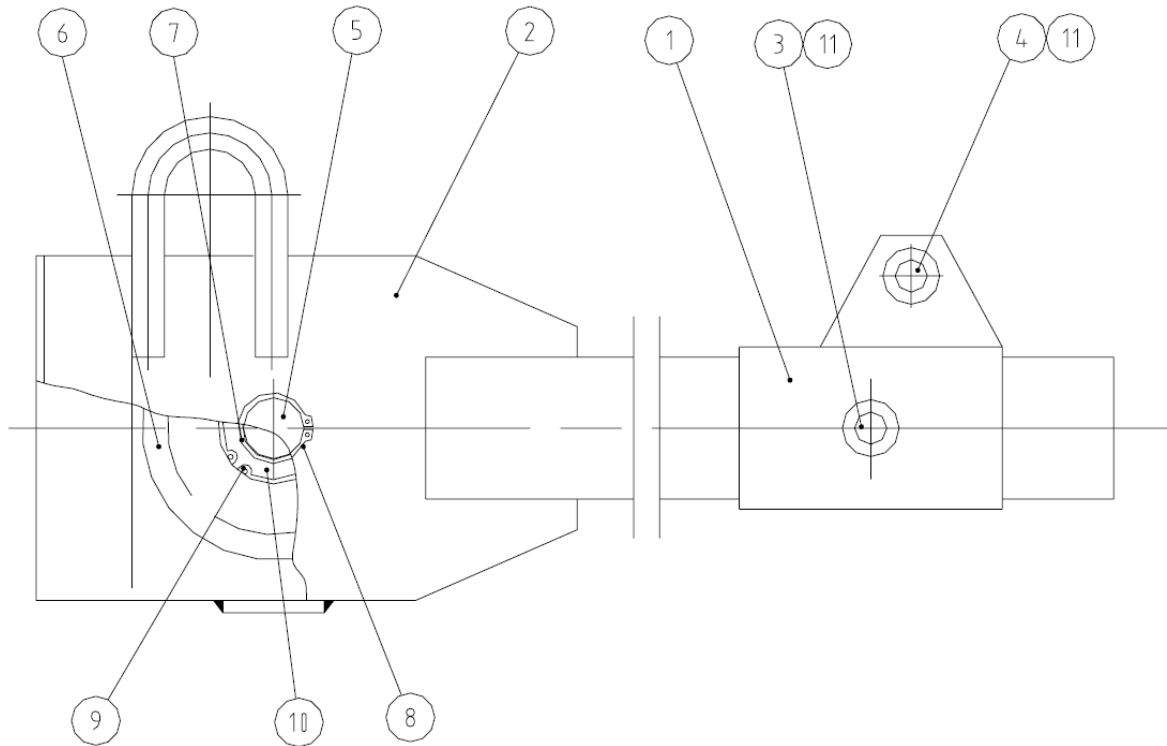
Storage Drum Drive Cont..			
Ref. No.	Part Number	Description	Qty.
102	9361-08015	Screw M6S M8x15	2
107	9361-10070	Screw M6S M10x70	2
108	9361-10080	Screw M6S M10x80	1
116	9371-10060	Screw MC6S M10x60	1
117	9441-084	Washer BRB 8,4/17x1,6	2
118	9441-105	Washer BRB 10,5/21x2	7
125	9422-10	Lock nut M10	4

Instrument Panel



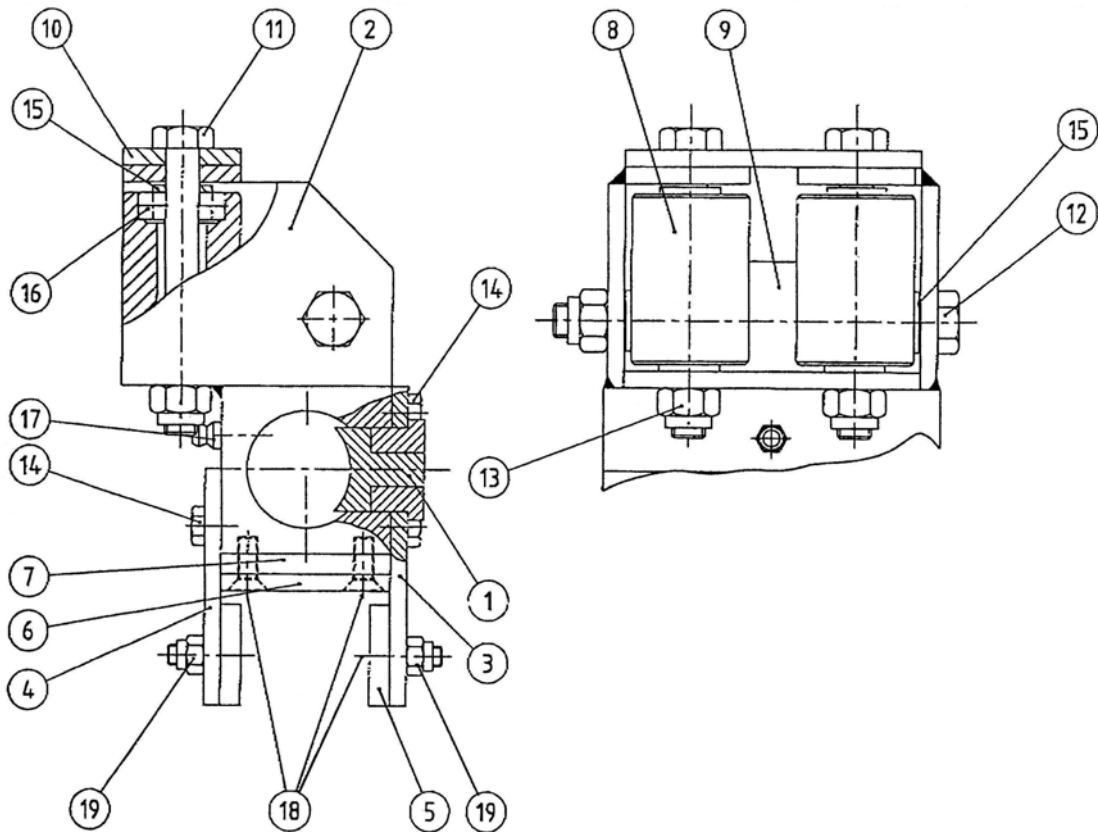
Instrument Panel			
Ref. No.	Part No.	Description	Qty.
24	3200-5045	Instrument protection	1
54	3200-5024	Manometer with el. cont	1
101	9361-06020	Screw M6S M6x20	4
121	9444-061.	Spring washer FBB 6, 1	4
130	9711-009	Emergency switch	1
131	9601-5050	Ignition lock	1
133	9609-001	Throttle and choke cable	2
134	9441-064	Washer BRB 6, 1/12,5x1	4
135	9421-06	Nut M6	4
139	9950-006	Sign	1
140	9950-007	Sign	1
141	9381-05015	Slotted screw M5x15	3
142	9441-053	Washer BRB 5,3/10x1	8
143	9421-05	Nut M5	4

Duct Boom



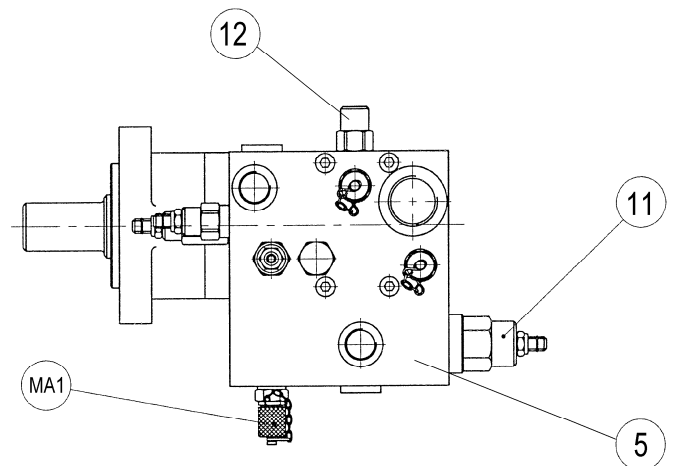
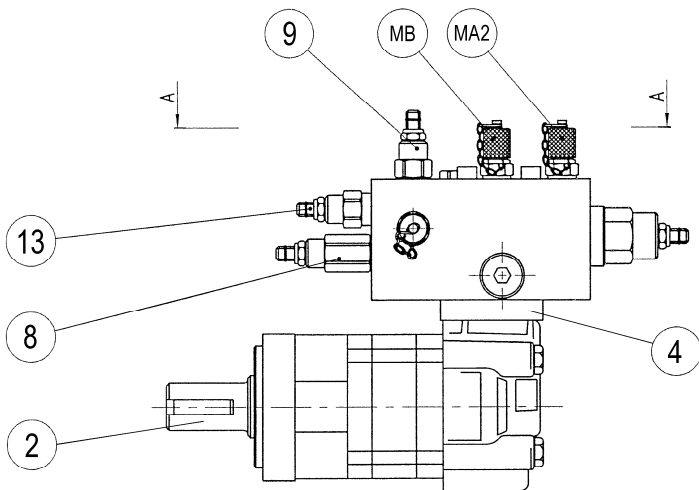
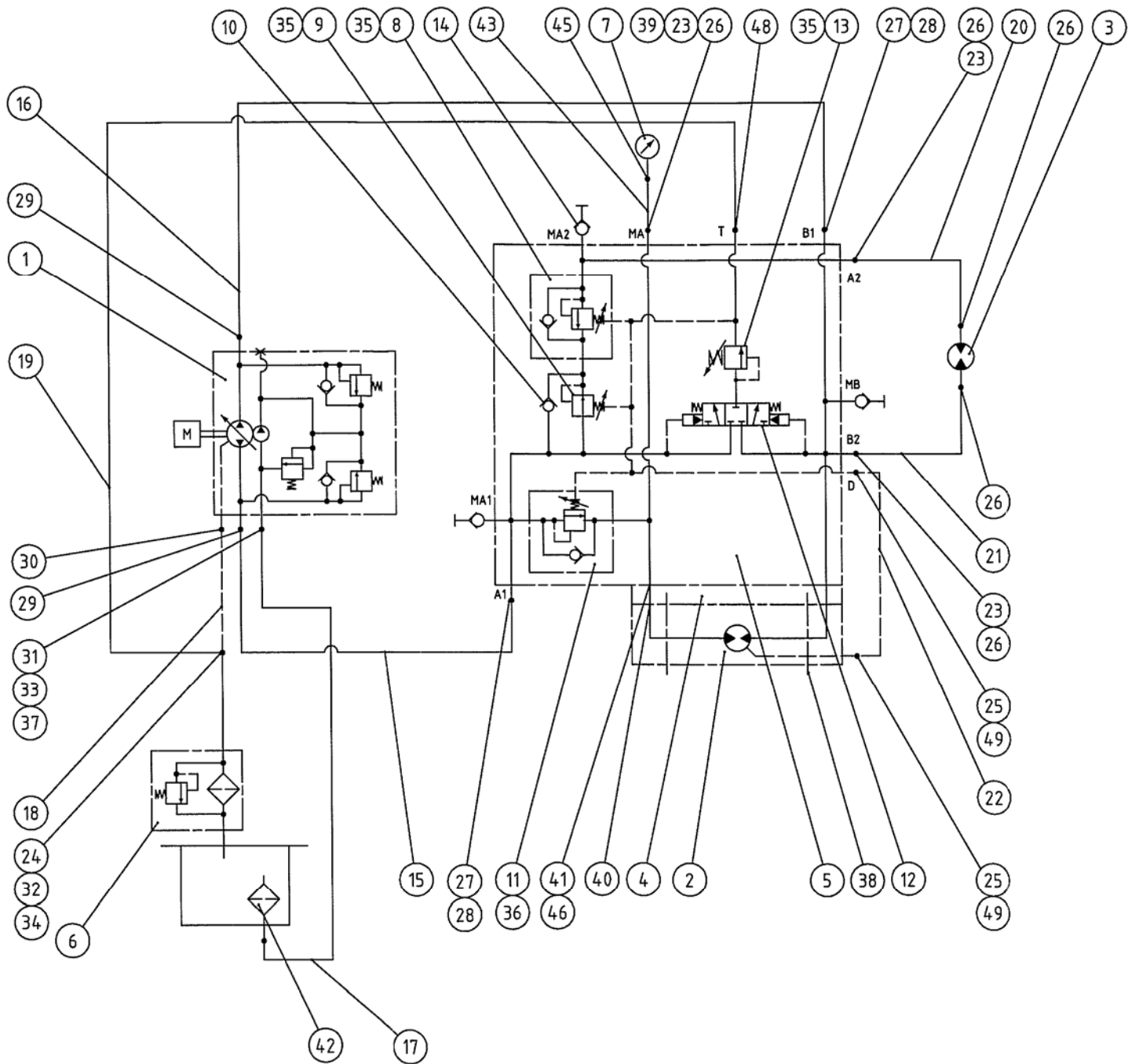
Duct Boom 3200-0020			
Ref. No.	Part Number	Description	Qty.
1	3200-5065	Attachment	1
2	3200-5064	Arm	2
3	9804-1257	Pin 15x115	1
4	9804-1369-14	Pin15x85	1
5	3200-5011	Shaft for pulling wheel	1
6	3200-5010	Pulling wheel	1
7	3200-5012	Spacer	2
8	9302-030	Retaing ring	2
9	9301-055	Retaing ring	1
10	9201-6001-2	Grooved ball bearing	1
11	9343-04532	Spring pin	2

Linespreader Guide



Linespreader Guide 3200-1010			
Ref No.	Part No.	Description	Qty
1	3200-5052	Peg	1
2	3300-5007	Holder	1
3	3200-5051	Plate, Stop, Front	1
4	3200-5082	Plate, Stop, Rear	1
5	3200-5079	Slide, Front	2
6	3200-5080	Slide, Rear	1
7	3200-5083	Plate, Stop	1
8	3200-5054	Roller, Vertical	2
9	3300-5008	Roller, Horizontal	1
10	3300-5009	Plate, Top	1
11	9361-10080	Bolt, Hex M10 x 80	2
12	9361-10110	Bolt, Hex M10 x 110	1
13	9422-10	Nut, Nylock, M10	3
14	9361-06012	Bolt, Hex, M6 x 12	6
15	9441-084	Washer, Normal, M10	6
16	9201-6000-2	Bearing, 60002RS	6
17	9551-06	Grease Nipple, M6	1
18	9372-06016	Screw, C/Sunk M6 x 16	8
19	9422-06	Nut, Nylock, M6	4

Hydraulics



A-A

Hydraulics			
Ref. No.	Part Number	Description	Qty.
1	9642-04002	Hydraulic Pump 40cc	1
2	9641-10201	Hydraulic Capstan Motor	1
3	9641-03201	Hydraulic Drum Motor	1
4	3200-5023	Connection Plate	1
5	3200-5022	Valve Manifold Block	1
6	9671-002	Hydraulic Filter	1
7	3200-5024	Manometer	1
8	9633-070	Sequence Valve	1
9	9663-080	Reduction Valve	1
10	9663-051	Check Valve	1
11	9663-071	Sequence Valve	1
12	9663-090	Spool Valve	1
13	9663-021	Relief Valve	1
14	9663-010	Test Nipple	3
15	9631-705501	Hydraulic Hose	1
16	9631-709001	Hydraulic Hose	1
17	9631-609001	Hydraulic Hose	1
18	9631-303801	Hydraulic Hose	1
19	3200-5025	Hydraulic Tube	1
20	3200-5026	Hydraulic Tube	1
21	3200-5027	Hydraulic Tube	1
22	3200-5028	Hydraulic Tube	1
23	9621-EVW12L	Hyd Adapter	3
24	9621-EVW15L	Hyd Adapter	1
25	9621GE8L	Hyd Adapter	2
26	9621-GE12L	Hyd Adapter	4
27	9632-R8351616	Hyd Adapter	2
28	9633-GBR1	Hyd Washer	2
29	9629-007	Hyd Adapter	2
30	9629-008	Hyd Adapter	1
31	9629-009	Hyd Adapter	1
32	9621-GE153/4	Hyd Adapter	1
33	9621-EVW22L	Hyd Adapter	1
34	9621-EVL15L	Hyd Adapter	1
35	9669-001	Plomberingskapa Ser1	3
36	9669-003	Plomberingskapa Ser3	1
37	9633-GBR3/4	Hyd Washer	1
38	9371-08090	Bolt M8 x 90	4
39	9621-KOR12/6L	Reducer Adapter	1
40	9649-001	Tatningsring KD-G 1/2"	2
41	9461-2664262	O-Ring	2
42	9629-005	Suction Filter	1
43	3200-5069	Hydraulic Tube	1
45	9621-MAV6PSP	Hydraulic Adapter	1
46	9629-BSCHR1/2	Banjo Bolt	2
47	9621-GE12L1/2	Hydraulic Adapter	1
48	9621-GE15L	Hydraulic Adapter	1
49	9621-EVW8L	Hydraulic Adapter	2

CLYDESDALE Ltd. Specialist manufacturer and supplier of overhead line and underground cable installation equipment, associated tools and personal protective equipment (PPE).



www.clydesdale.ltd.uk

Instal House, 3 Sunbeam Rd,
Woburn Rd Industrial Estate
Kempston, Beds MK42 7BZ
Tel: (0044) (0) 1234 855855
Fax: (0044) (0) 1234 855800