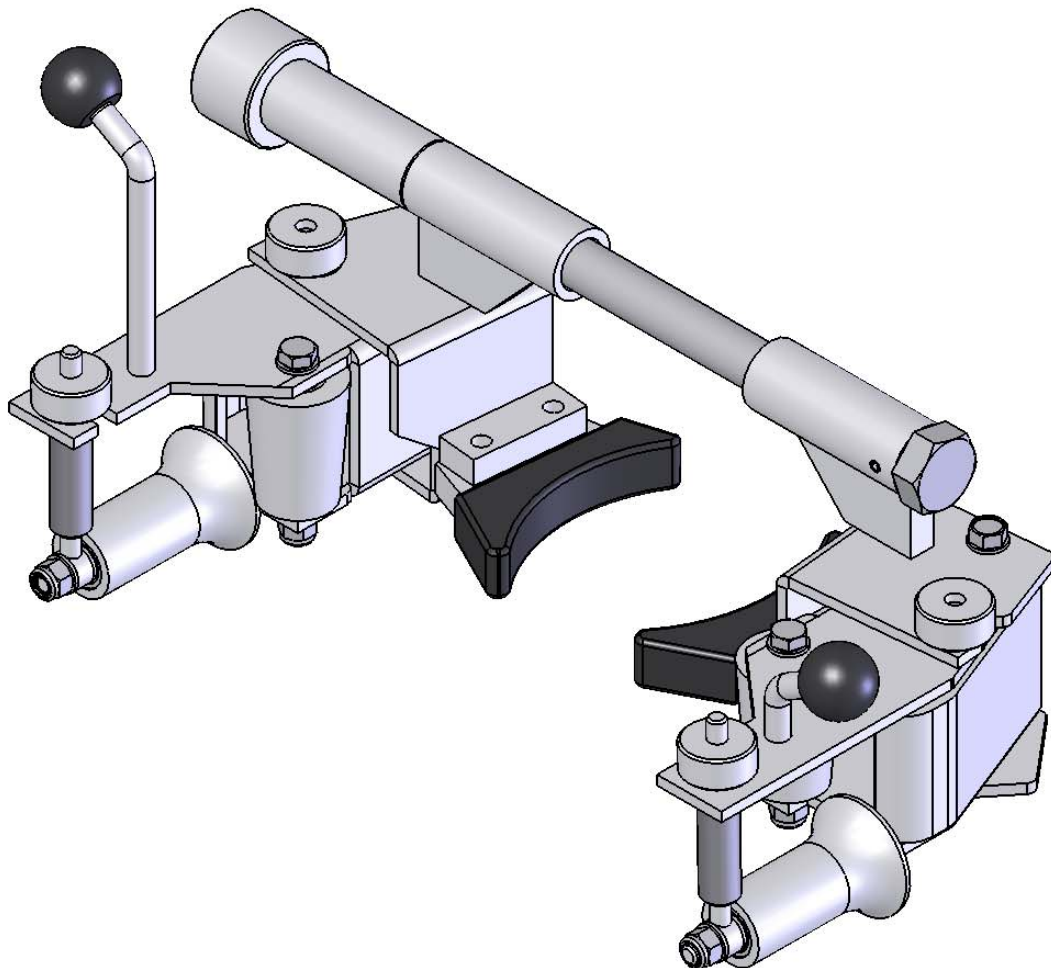


CLY 680 300

Insulator Mounted Angle Roller

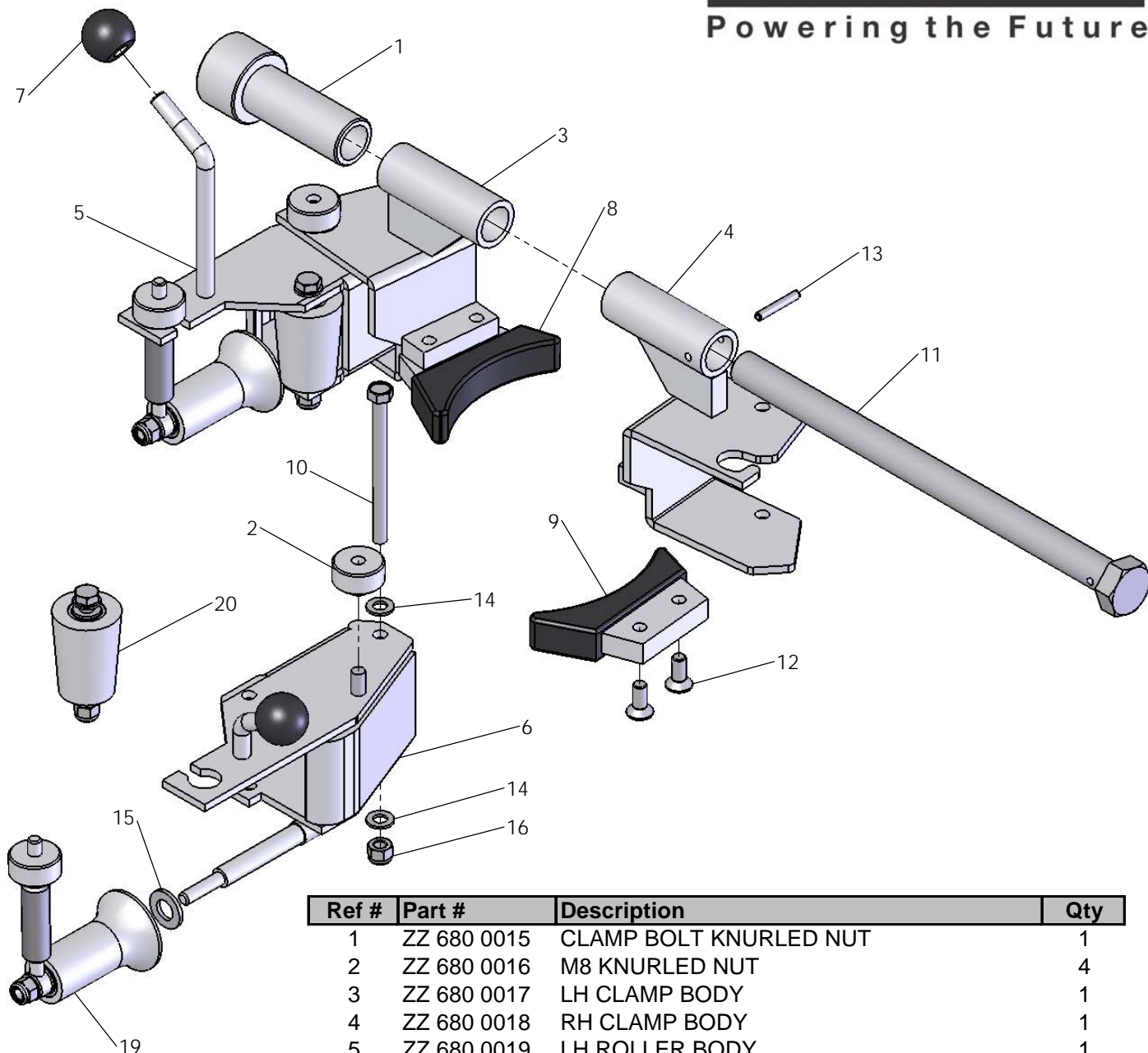
Illustrated Parts List



Clydesdale Ltd.

Instal House, 3 Sunbeam Road,
Woburn Road Ind. Est., Kempston,
Bedfordshire MK42 7BZ
United Kingdom

Tel: +44 (01234) 855855
Fax: +44 (01234) 855800
E-mail: sales@clydesdale.ltd.uk
www.clydesdale.ltd.uk

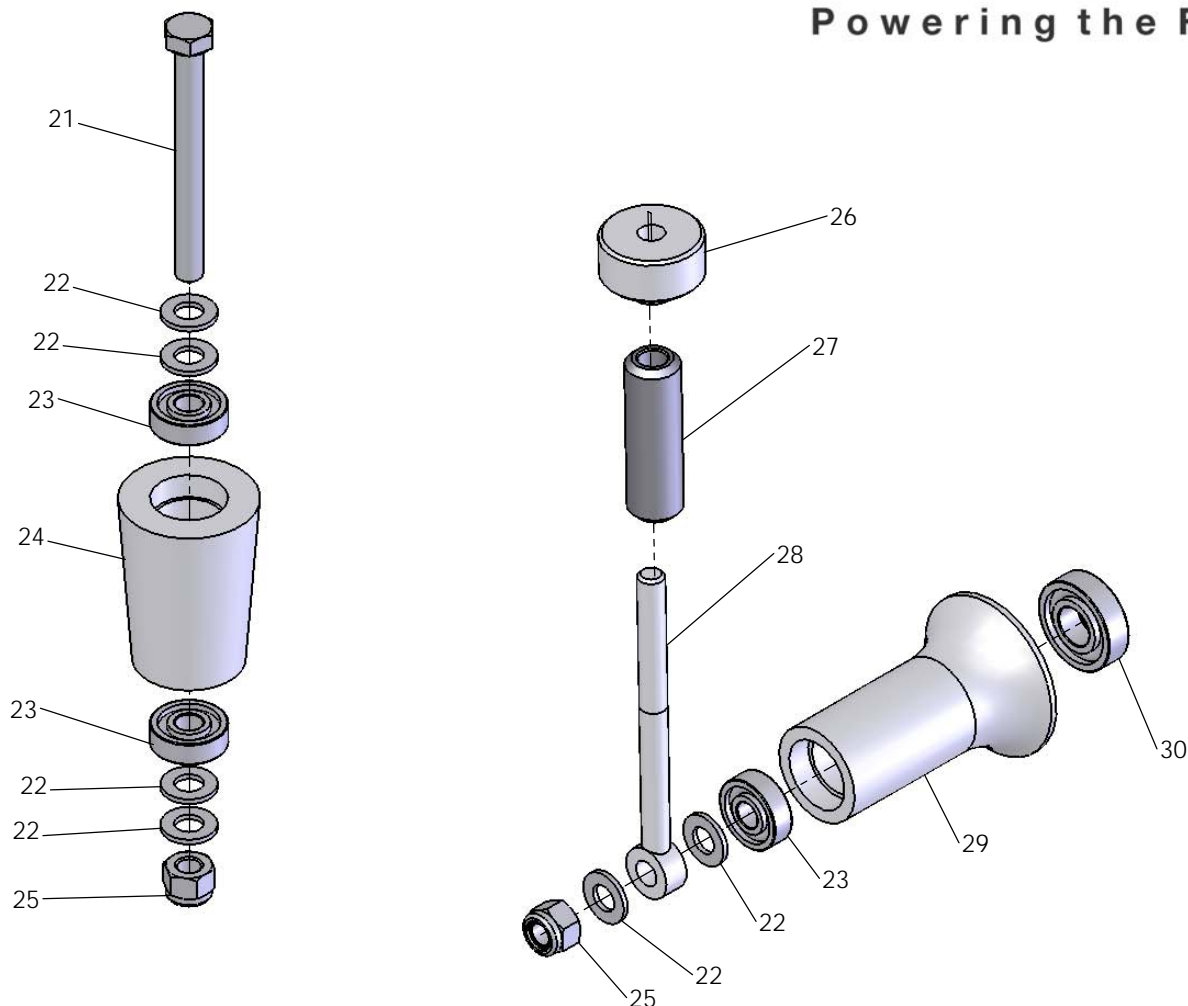


Ref #	Part #	Description	Qty
1	ZZ 680 0015	CLAMP BOLT KNURLED NUT	1
2	ZZ 680 0016	M8 KNURLED NUT	4
3	ZZ 680 0017	LH CLAMP BODY	1
4	ZZ 680 0018	RH CLAMP BODY	1
5	ZZ 680 0019	LH ROLLER BODY	1
6	ZZ 680 0020	RH ROLLER BODY	1
7	ZZ 200 003	BLACK BALL M10 X 30MM	2
8	ZZ 680 0022	LH RUBBER MOUNT FOOT	1
9	ZZ 680 0023	RH RUBBER MOUNT FOOT	1
10	ZZ 100 0895	M8 X 95MM HEX BOLT PLATED	2
11	ZZ 680 0024	CLAMP BOLT	1
12	ZZ 101 0820	M8 X 20 C/SUNK SCREW PLATED	4
13	ZZ 103 0530	M5 X 30MM SPRING PIN	1
14	ZZ 110 08	M8 NORM WAHSER	16
15	ZZ 110 12	M12 NORM WASHER	2
16	ZZ 120 08	M8 NYLOCK NUT	6
19	SEE PAGE 3		2
20	SEE PAGE 3		2

Clydesdale Ltd.

Instal House, 3 Sunbeam Road,
Woburn Road Ind. Est., Kempston,
Bedfordshire MK42 7BZ
United Kingdom

Tel: +44 (01234) 855855
Fax: +44 (01234) 855800
E-mail: sales@clydesdale.ltd.uk
www.clydesdale.ltd.uk



Ref #	Part #	Description	Qty
21	ZZ 100 0880	M8 X 80MM HEX BOLT PLATED	2
22	ZZ 110 08	M8 NORM WASHER	16
23	ZZ 140 001	BEARING 608 2RS	6
24	ZZ 680 0011	VERTICAL ROLLER TAPERED	2
25	ZZ 120 08	M8 NYLOCK NUT	6
26	ZZ 680 0016	M8 KNURLED NUT	4
27	ZZ 680 0014	NYLON CONDUCTOR ARRESTOR ROLLER	2
28	ZZ 680 0013	CONDUCTOR ARRESTOR ROLLER SHAFT	2
29	ZZ 680 0012	HORIZONTAL SUPPORT ROLLER	2
30	ZZ 140 002	BEARING 6001 2RS	2

Clydesdale Ltd.

Instal House, 3 Sunbeam Road,
Woburn Road Ind. Est., Kempston,
Bedfordshire MK42 7BZ
United Kingdom

Tel: +44 (01234) 855855
Fax: +44 (01234) 855800
E-mail: sales@clydesdale.ltd.uk
www.clydesdale.ltd.uk

CLYDESDALE Ltd. Specialist manufacturer and supplier of overhead line and underground cable installation equipment, associated tools and personal protective equipment (PPE).



www.clydesdale.ltd.uk

Clydesdale Ltd.

Instal House, 3 Sunbeam Rd,
Woburn Rd Industrial Estate
Kempston, Beds MK42 7BZ
Tel: (0044) (0) 1234 855855
Fax: (0044) (0) 1234 855800