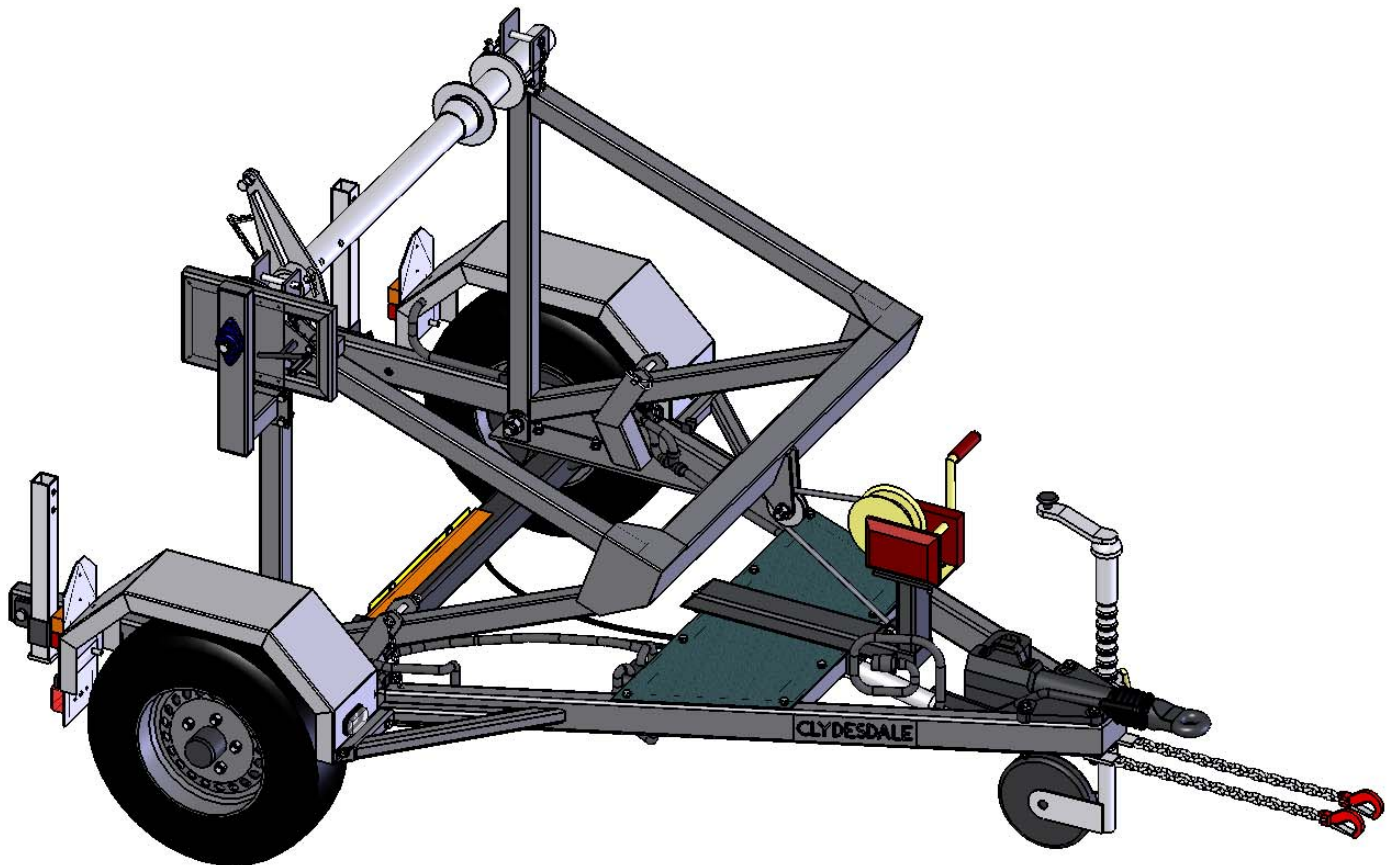


CLY 760 1300

1300kg Single Drum Trailer

Illustrated Parts List



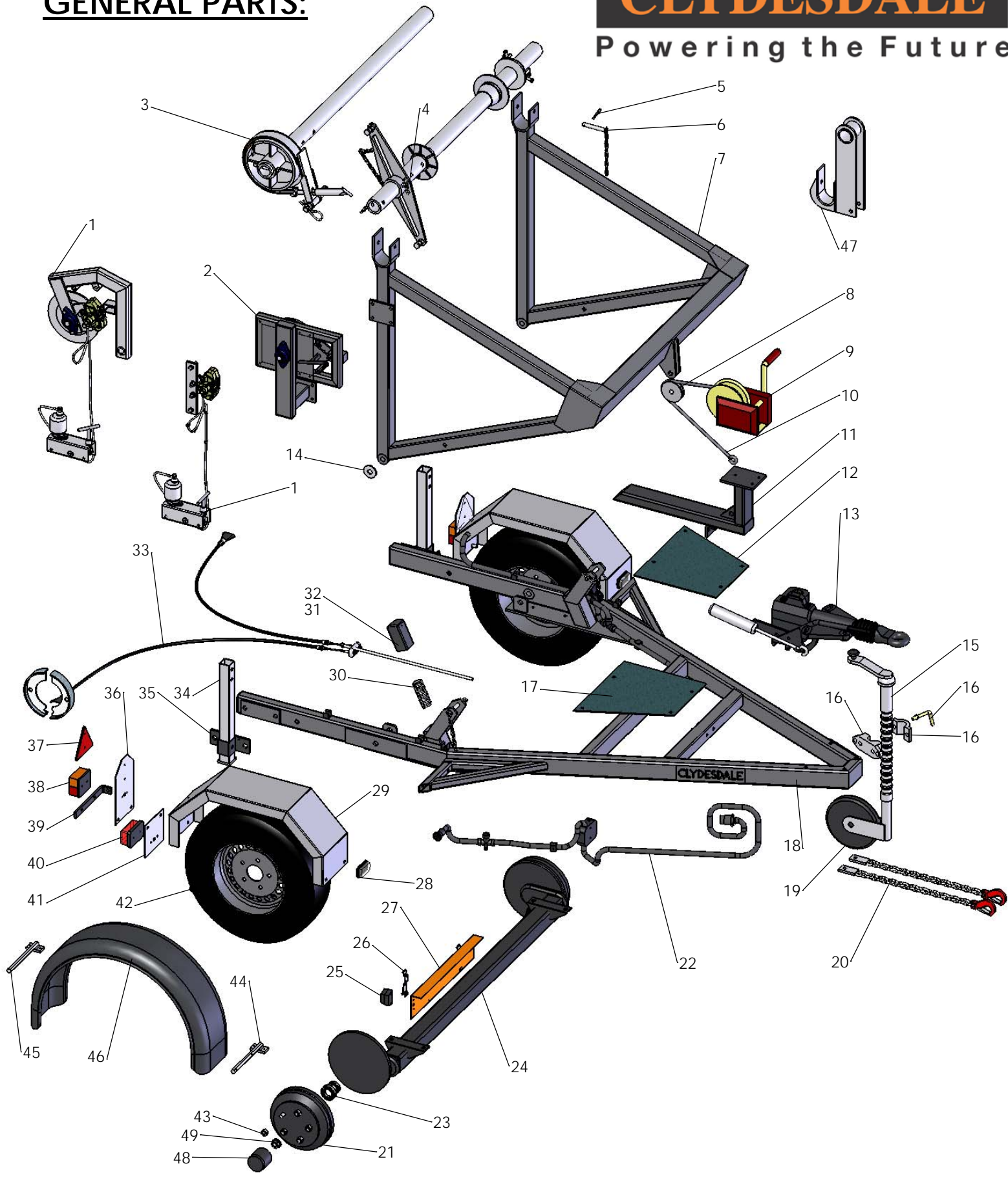
PLEASE QUOTE ANY RELEVANT SERIAL NUMBERS WHEN ORDERING PARTS.

Clydesdale Ltd.

Instal House, 3 Sunbeam Road,
Woburn Road Ind. Est., Kempston,
Bedfordshire MK42 7BZ
United Kingdom

Tel: +44 (01234) 855855
Fax: +44 (01234) 855800
E-mail: sales@clydesdale.ltd.uk
www.clydesdale.ltd.uk

GENERAL PARTS:



Clydesdale Ltd.

Instal House, 3 Sunbeam Road,
Woburn Road Ind. Est., Kempston,
Bedfordshire MK42 7BZ
United Kingdom

Tel: +44 (01234) 855855
Fax: +44 (01234) 855800
E-mail: sales@clydesdale.ltd.uk
www.clydesdale.ltd.uk

GENERAL PART NO'S:

Ref #	Part #	Description	Qty
1	CLY 761 4101	HYDRAULIC BRAKE KIT	1
	CLY 761 4102	See page 7 for breakdown.	
2	ZZ 760 4100	DISC BRAKE ASSEMBLY See page 6 for breakdown.	1
3	SEE PAGE 6	BAND BRAKE AND SHAFT ASSEMBLY	1
4	SEE PAGE 5	SHAFT ASSEMBLY	1
5	ZZ 105 04	R CLIP 4MM	8
6	ZZ 760 0001	UPLIFT PIN C/W CHAIN	8
7	ZZ 760 1100	DRUM FRAME	1
8	ZZ 760 0003	A-FRAME PULLEY	1
9	ZZ 310 9001	HAND WINCH 650KG	1
10	ZZ 760 0012	WIRE WINCH ROPE 5M X 6MM	1
11	ZZ 760 0011	WINCH ARM	1
12	ZZ 760 0015	COVER PLATE LEFT	1
13	ZZ 315 2210	COUPLING ASSEMBLY 2000KG C/W 40MM DIN EYE	1
	ZZ 315 2230	COUPLING ASSEMBLY 2000KG C/W 76MM NATO EYE	1
	ZZ 315 2240	COUPLING ASSEMBLY 2000KG C/W 50MM CAST HEAD See page 9/10 for coupling spares.	1
14	ZZ 760 0002	A-FRAME PIVOT SPACER	4
15	ZZ 315 3321	JOCKEY WHEEL 48MM SERRATED Whole assembly - includes wheel.	1
16	ZZ 315 5320	JOCKEY WHEEL CLAMP 48MM SERRATED	1
17	ZZ 760 0016	COVER PLATE RIGHT	1
18	ZZ 760 2100	CHASSIS ASSEMBLY	1
19	ZZ 315 3322	JOCKEY - WHEEL ONLY 48MM SERRATED	1
20	ZZ 760 0013	BREAKAWAY CHAIN C/W HOOK	2
21	ZZ 300 6001	HUB V18F AXLE Includes bearings and oil seal. Only for trailers with V18F axle prior to CLY 1242, Jan 96	2
22	SEE PAGE 5	ELECTRICAL CABLE PROTECTION	1
23	ZZ 315 6002	WHEEL BEARING KIT Includes both bearings & seal for 1 wheel. Serial no's CLY 1365 and up (post Jan 2003).	2
24	ZZ 305 6004	AXLE ASSY 1.3DT B.CENTRES 1320MM Serial no's CLY 1385 and up (post Feb 2005)	1
	ZZ 305 6003	AXLE ASSY 1.3DT B.CENTRES 1200MM Serial no's up to CLY 1385 (prior to Feb 2005).	1
25	ZZ 320 8201	NUMBER PLATE LAMP	1
26	ZZ 310 9002	NUMBER PLATE SPRING CLIP	2
27	ZZ 760 0018	ORANGE ALI NUMBER PLATE HOLDER	1
28	ZZ 320 8204	FRONT MARKER LAMP	2
29	ZZ 760 0005	MITRED MUDGUARD	2
30	ZZ 760 0019	PISTON SPRING	2
31	ZZ 760 0009	PISTON	2
32	ZZ 760 0010	PISTON STOP	2
33	SEE PAGE 4/11	CHASSIS BRAKE COMPONENTS	

Clydesdale Ltd.

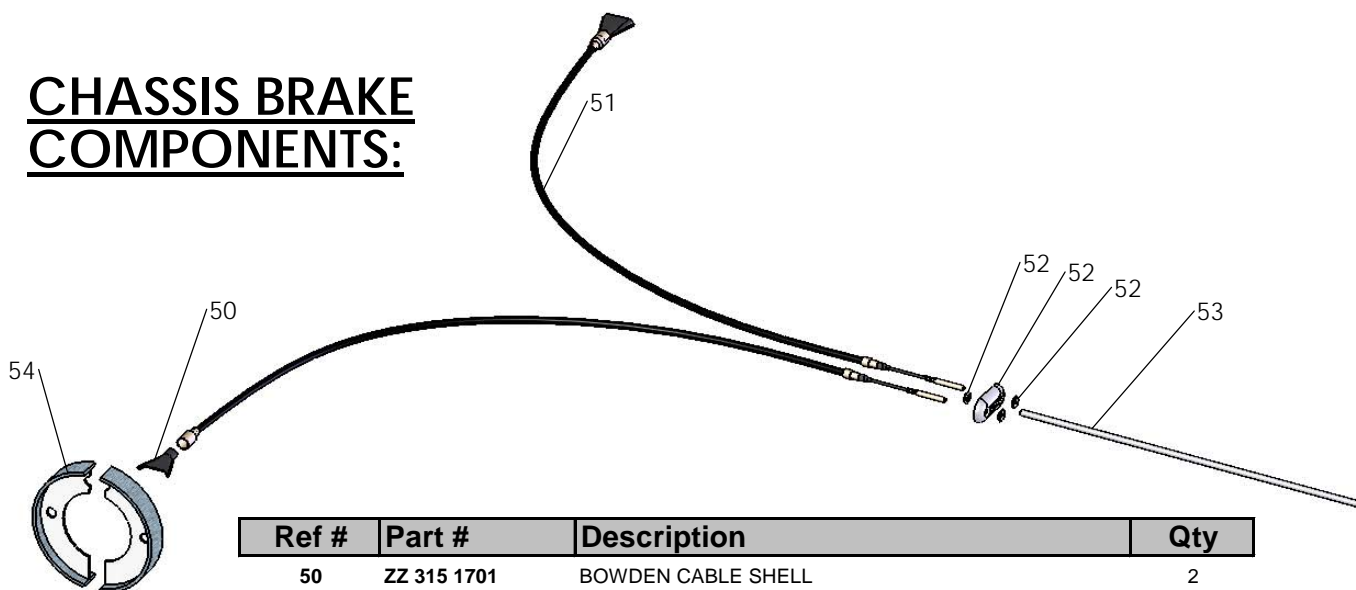
Instal House, 3 Sunbeam Road,
Woburn Road Ind. Est., Kempston,
Bedfordshire MK42 7BZ
United Kingdom

Tel: +44 (01234) 855855
Fax: +44 (01234) 855800
E-mail: sales@clydesdale.ltd.uk
www.clydesdale.ltd.uk

GENERAL PART NO'S CONT.:

Ref #	Part #	Description	Qty
34	ZZ 760 0008	STABILISER LEG Serial no's CLY 1363 and up (post Dec 2002).	2
	ZZ 300 4001	PROPSTAND AND CLAMP (Not shown.) Serial no's up to CLY 1362 (prior to Dec 2002).	2
35	ZZ 760 0007	STABILISER LEG BRACKET	2
36	ZZ 760 0004	REAR LIGHT CLUSTER PLATE	2
37	ZZ 320 8101	REFLECTOR RED TRIANGLE	2
38	ZZ 320 8202	COMBI LAMP RED/ORANGE	2
39	ZZ 760 0006	MUDGUARD MOUNT BRACKET Serial no's CLY 1383 and up (post Feb 2005).	2
40	ZZ 320 8203	RF 179 FLAT MOUNTED FOG LAMP	1
41	ZZ 760 0017	FOG LAMP MOUNT PLATE	1
42	ZZ 330 7005	WHEEL & TYRE ASSY 185R14 LI 102 PCD 5X140	2
43	ZZ 315 6001	M16 WHEEL NUT Serial no's CLY 1365 and up (post Jan 2003)	10
	ZZ 300 7414	M14 SPHERICAL WHEEL BOLT Serial no's up to CLY 1364 (prior to Jan 2003)	10
44	ZZ 760 0020	HEX BAR MUDGUARD MOUNT 1 Serial no's up to CLY 1382 (prior to Feb 2005)	2
45	ZZ 760 0021	HEX BAR MUDGUARD MOUNT 2 Serial no's up to CLY 1382 (prior to Feb 2005)	2
46	SS 9585-003	ROUNDED GALVANISED MUDGUARD RADIUS 430MM Serial no's up to CLY 1382 (prior to Feb 2005)	2
47	ZZ 760 3105	DROP DOWN BRACKET	2
48	ZZ 315 6004	DUST CAP Serial no's CLY 1365 and up (post Jan 2003).	2
49	ZZ 315 6003	HUB NUT Serial no's CLY 1365 and up (post Jan 2003).	2

CHASSIS BRAKE COMPONENTS:



Ref #	Part #	Description	Qty
50	ZZ 315 1701	BOWDEN CABLE SHELL	2
51	ZZ 315 1111	DETACH. BRAKE CABLE 1430MM	2
52	ZZ 300 1001	BRAKE BALANCE BAR & WASHERS	1
53	ZZ 760 0014	M10 COUPLING-BALANCE BAR LINK	1
54	ZZ 300 1002	SYSTEM SL BRAKE SHOE KIT	1

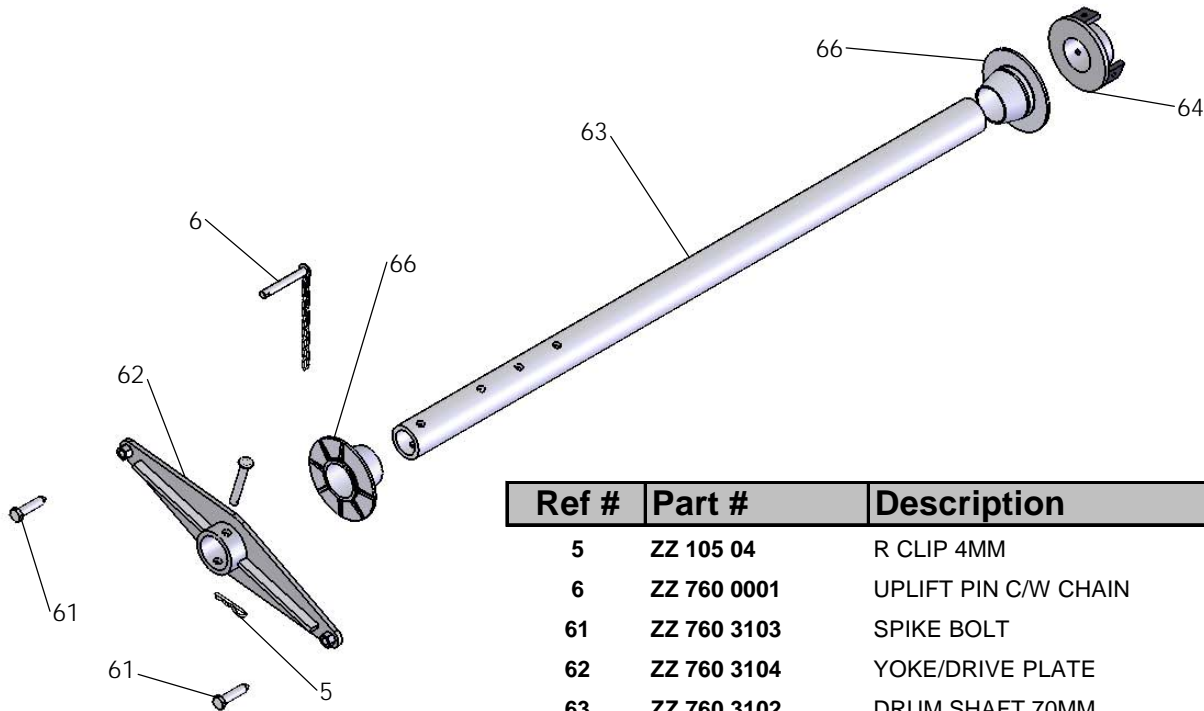
Includes shoes, springs, expanders, eyelets, adjusters, split pins and bowden cable shells for both wheels.
Trailers between CLY 1242, Jan '96 and CLY 1365, Jan '03
For all other trailers, see pg 11.

Clydesdale Ltd.

Instal House, 3 Sunbeam Road,
Woburn Road Ind. Est., Kempston,
Bedfordshire MK42 7BZ
United Kingdom

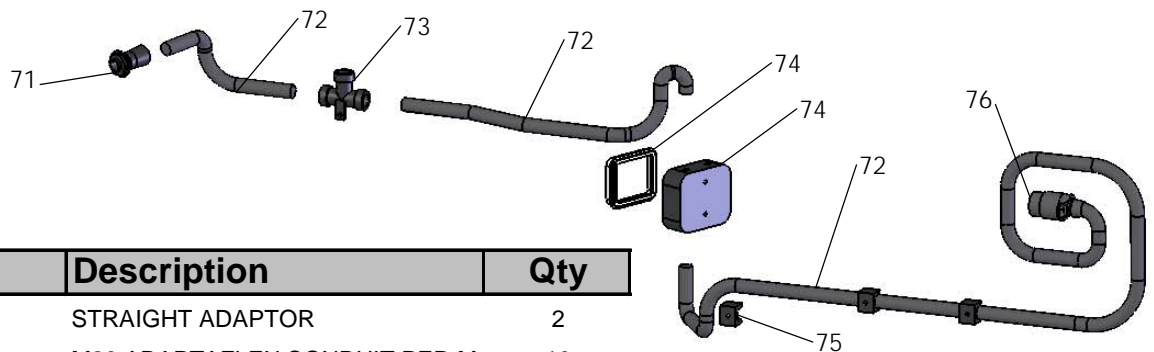
Tel: +44 (01234) 855855
Fax: +44 (01234) 855800
E-mail: sales@clydesdale.ltd.uk
www.clydesdale.ltd.uk

SHAFT ASSEMBLY:



Ref #	Part #	Description	Qty
5	ZZ 105 04	R CLIP 4MM	1
6	ZZ 760 0001	UPLIFT PIN C/W CHAIN	1
61	ZZ 760 3103	SPIKE BOLT	2
62	ZZ 760 3104	YOKE/DRIVE PLATE	1
63	ZZ 760 3102	DRUM SHAFT 70MM	1
64	ZZ 760 3101	LOCKING COLLAR 70MM C/W BOLTS	1
66	SS 640 402A	DRUMSHAFT CONE 70MM ALI	2

ELECTRICAL CABLE PROTECTION:



Ref #	Part #	Description	Qty
71	ZZ 333 8602	STRAIGHT ADAPTOR	2
72	ZZ 333 8604	M20 ADAPTA FLEX CONDUIT PER M	10
73	ZZ 333 8603	T-PIECE	3
74	ZZ 320 8401	JUNCTION BOX 8-WAY	1
75	ZZ 333 8601	CONDUIT CLIP	18
76	ZZ 320 8402	7 PIN PLUG	1

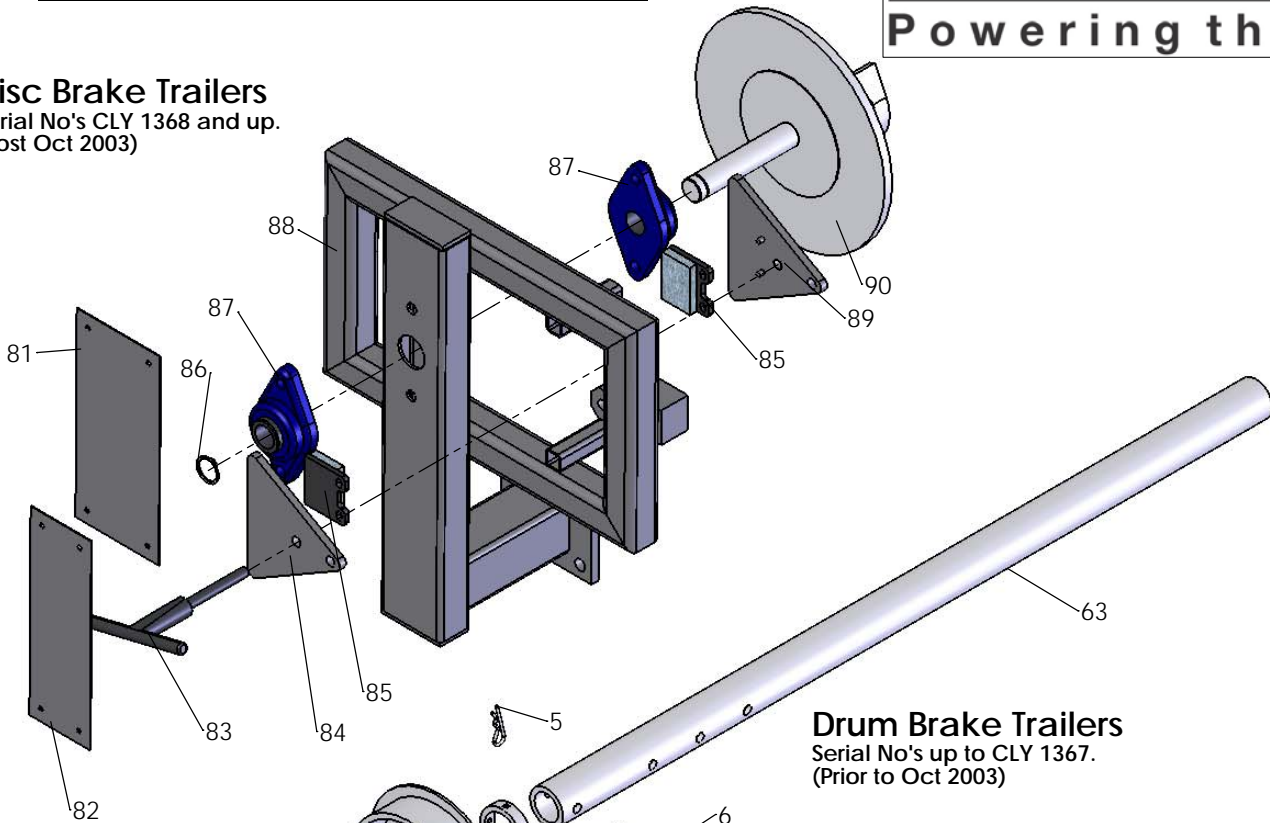
Clydesdale Ltd.

Instal House, 3 Sunbeam Road,
Woburn Road Ind. Est., Kempston,
Bedfordshire MK42 7BZ
United Kingdom

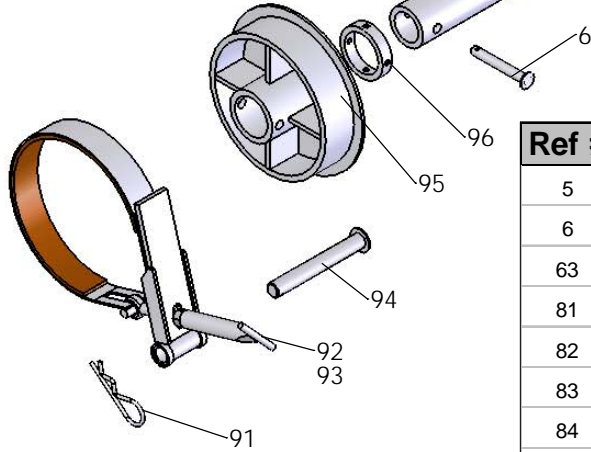
Tel: +44 (01234) 855855
Fax: +44 (01234) 855800
E-mail: sales@clydesdale.ltd.uk
www.clydesdale.ltd.uk

SHAFT BRAKE ASSEMBLY:

Disc Brake Trailers Serial No's CLY 1368 and up. (Post Oct 2003)



Drum Brake Trailers Serial No's up to CLY 1367. (Prior to Oct 2003)



Ref #	Part #	Description	Qty
5	ZZ 105 04	R CLIP 4MM	1
6	ZZ 760 0001	UPLIFT PIN C/W CHAIN	1
63	ZZ 760 3102	DRUM SHAFT 70MM	1
81	ZZ 760 4102	LH GUARD PLATE	1
82	ZZ 760 4103	RH GUARD PLATE	1
83	ZZ 760 4105	T-HANDLE BOLT M10	1
84	ZZ 760 4106	CALIPER WEDGE W / M10 CLEARANCE HOLE	1
85	ZZ 331 0001	BRAKE PAD (PACK OF 4)	0/2
86	ZZ 105 25E	CIRCLIP EXT 25 MM	1
87	ZZ 140 010	BEARING FLANGED UNIT	2
88	ZZ 760 4101	BRAKE BRACKET	1
89	ZZ 760 4107	CALIPER WEDGE W / M10TAPPED HOLE	1
90	ZZ 760 4104	BRAKE DISC	1
91	ZZ 105 05	R CLIP 5MM	1
92	ZZ 640 4005	BRAKE BAND ASSEMBLY	1
		Includes T-Handle	
93	ZZ 640 4006	BRAKE BAND T HANDLE	1
94	ZZ 760 4111	BRAKE PIN	1
95	ZZ 640 4007	BRAKE DRUM	1
96	ZZ 640 3002	COLLAR C/W GRUB SCREWS	1

Clydesdale Ltd.

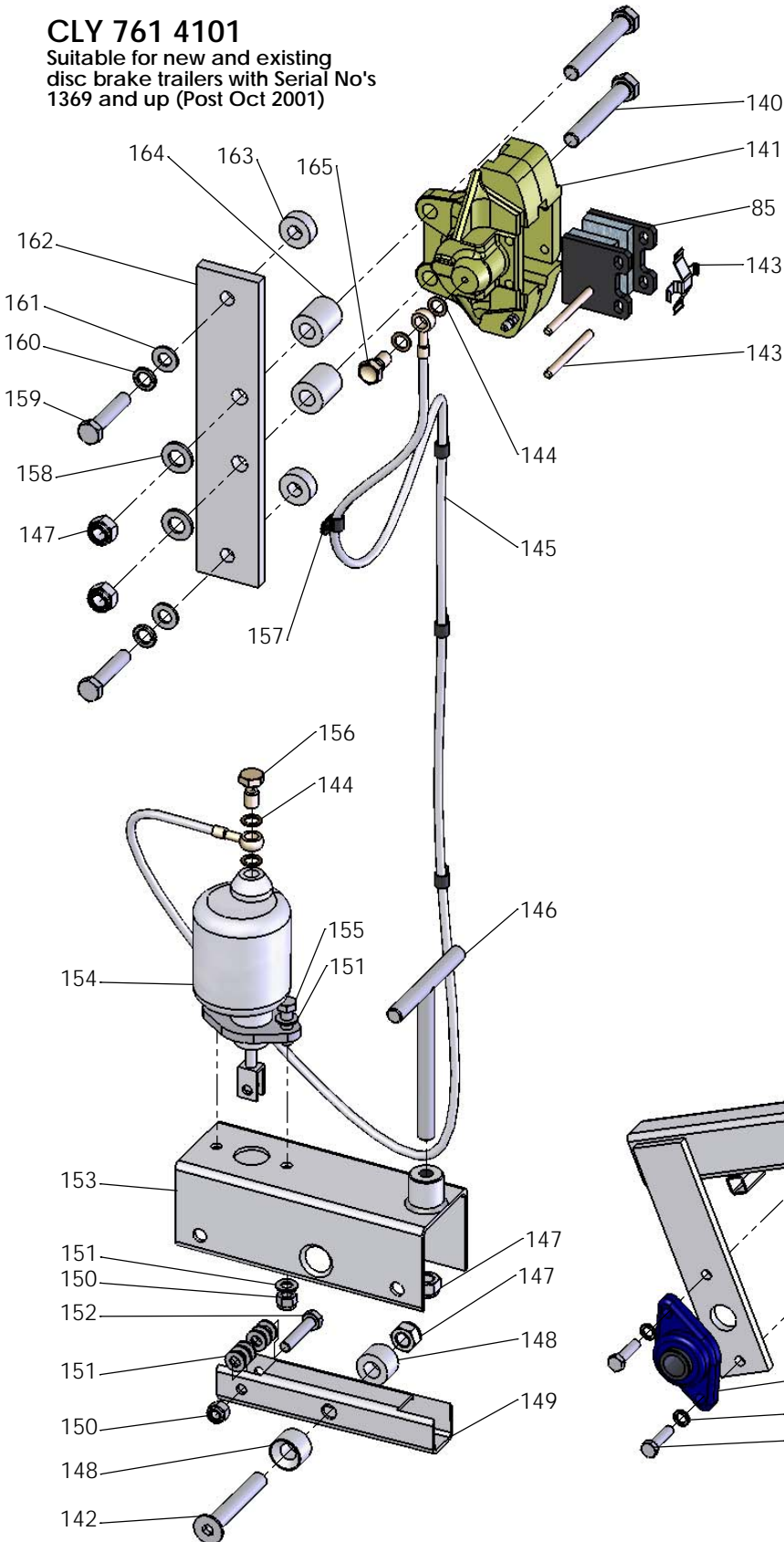
Instal House, 3 Sunbeam Road,
Woburn Road Ind. Est., Kempston,
Bedfordshire MK42 7BZ
United Kingdom

Tel: +44 (01234) 855855
Fax: +44 (01234) 855800
E-mail: sales@clydesdale.ltd.uk
www.clydesdale.ltd.uk

HYDRAULIC BRAKE KITS:

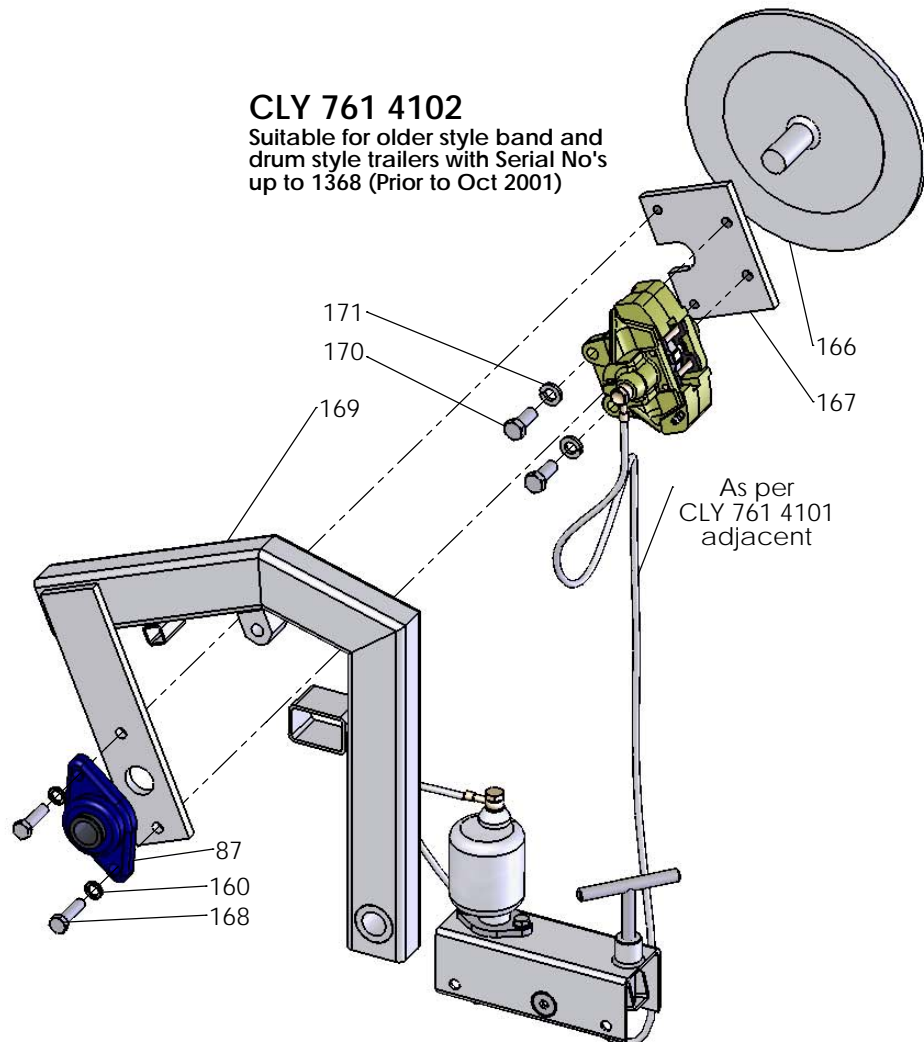
CLY 761 4101

Suitable for new and existing disc brake trailers with Serial No's 1369 and up (Post Oct 2001)



CLY 761 4102

Suitable for older style band and drum style trailers with Serial No's up to 1368 (Prior to Oct 2001)



Clydesdale Ltd.

Instal House, 3 Sunbeam Road,
Woburn Road Ind. Est., Kempston,
Bedfordshire MK42 7BZ
United Kingdom

Tel: +44 (01234) 855855
Fax: +44 (01234) 855800
E-mail: sales@clydesdale.ltd.uk
www.clydesdale.ltd.uk

HYD BRAKE KIT PART NO'S:

Ref #	Part #	Description	Qty
85	ZZ 331 0001	BRAKE PAD	0/2
87	ZZ 140 010	BEARING FLANGED UNIT	1
140	ZZ 100 1280	SET BOLT M12 X 80 HT PLATED	2
141	ZZ 331 0002	BRAKE CALIPER	1
142	ZZ 104 1280	C/SUNK BOLT M12 X 80 HT PLATED	1
143	ZZ 331 0003	CALIPER PINS & SQUEAL PLATE	1
144	ZZ 332 0005	COPPER WASHER	4
145	ZZ 332 0011	BRAKE HOSE ASSEMBLY 1.5M SWAGED	1
146	ZZ 760 4116	T-BOLT M12	1
147	ZZ 120 12	M12 NYLOCK NUT	4
148	ZZ 760 4115	LEVER SPACER	2
149	ZZ 760 4114	LEVER	1
150	ZZ 120 08	M8 NYLOCK NUT	3
151	ZZ 110 08	M8 FLAT WASHER	10
152	ZZ 100 0840	SET BOLT M8 X 40 HT PLATED	1
153	ZZ 760 4113	HOUSING BRACKET	1
154	ZZ 331 0005	MASTER CYLINDER	1
155	ZZ 100 0830	SET BOLT M8 X 30 HT PLATED	2
156	ZZ 332 0008	CYLINDER BANJO BOLT	1
157	ZZ 320 9001	P-CLIP CABLE GRIP	7
158	ZZ 110 12L	M12 FLAT WASHER	2
159	ZZ 100 1050	SET BOLT M10 X 50 HT PLATED	2
160	ZZ 110 10L	M10 LOCK WASHER	2
161	ZZ 110 10	M10 FLAT WASHER	2
162	ZZ 760 4117	CALIPER BRACKET	1
163	ZZ 760 4119	SPACER	2
164	ZZ 760 4118	SPACER	2
165	ZZ 332 0010	CALIPER BANJO BOLT	1
166	ZZ 760 4109	BRAKE DISC	1
167	ZZ 760 4120	CALIPER BRACKET	1
168	ZZ 100 1040	SET BOLT M10 X 40 HT PLATED	2
169	ZZ 760 4108	DISC RETROFIT BRACKET	1
170	ZZ 100 1230	SET BOLT M12 X 30 HT PLATED	2
171	ZZ 110 12L	M12 LOCK WASHER	2

Clydesdale Ltd.

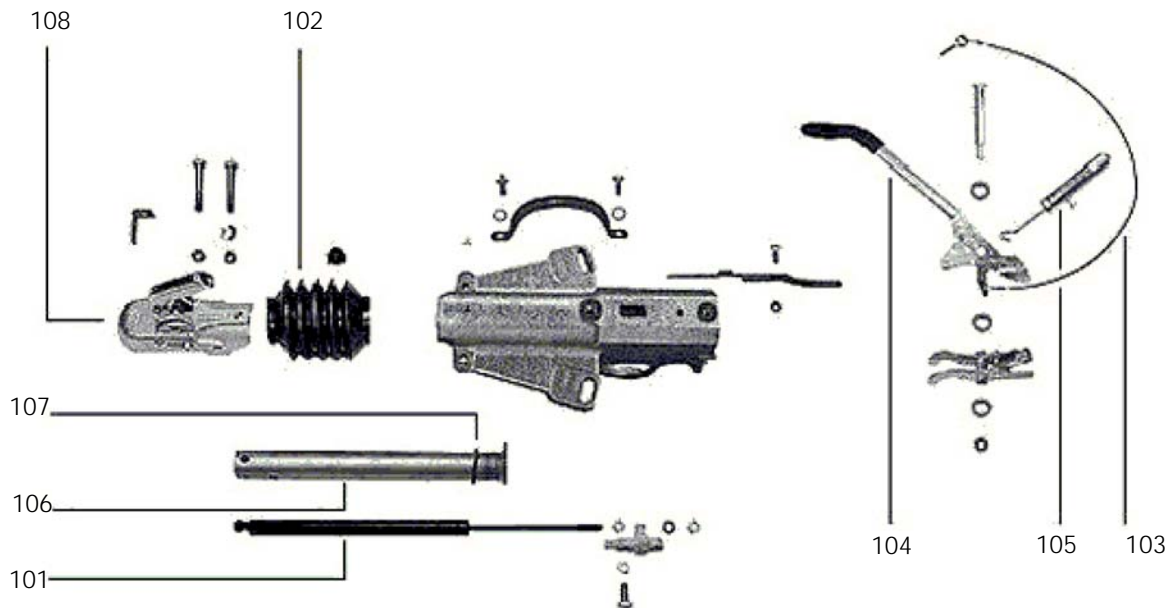
Instal House, 3 Sunbeam Road,
Woburn Road Ind. Est., Kempston,
Bedfordshire MK42 7BZ
United Kingdom



Tel: +44 (01234) 855855
Fax: +44 (01234) 855800
E-mail: sales@clydesdale.ltd.uk
www.clydesdale.ltd.uk

COUPLING COMPONENTS:

Serial No's CLY 1357 and up.
(post Dec 2001)



Ref #	Part #	Description	Qty
101	ZZ 315 2201	COUPLING DAMPER	1
102	ZZ 315 2052	COUPLING BELLOWS Couplings with 50mm head	1
	ZZ 315 2262	COUPLING BELLOWS Couplings with eye	1
103	ZZ 315 2003	BREAKAWAY CABLE	1
104	ZZ 315 2004	BRAKE LEVER	1
105	ZZ 315 2205	ENERGY STORE	1
106	ZZ 315 2206	DRAW TUBE C/W STOP RING	1
107	ZZ 315 2207	STOP RING	1
108	ZZ 315 2218	40MM CAST EYE	1
	ZZ 315 2248	76MM NATO EYE	
	ZZ 315 2258	50MM CAST HEAD	

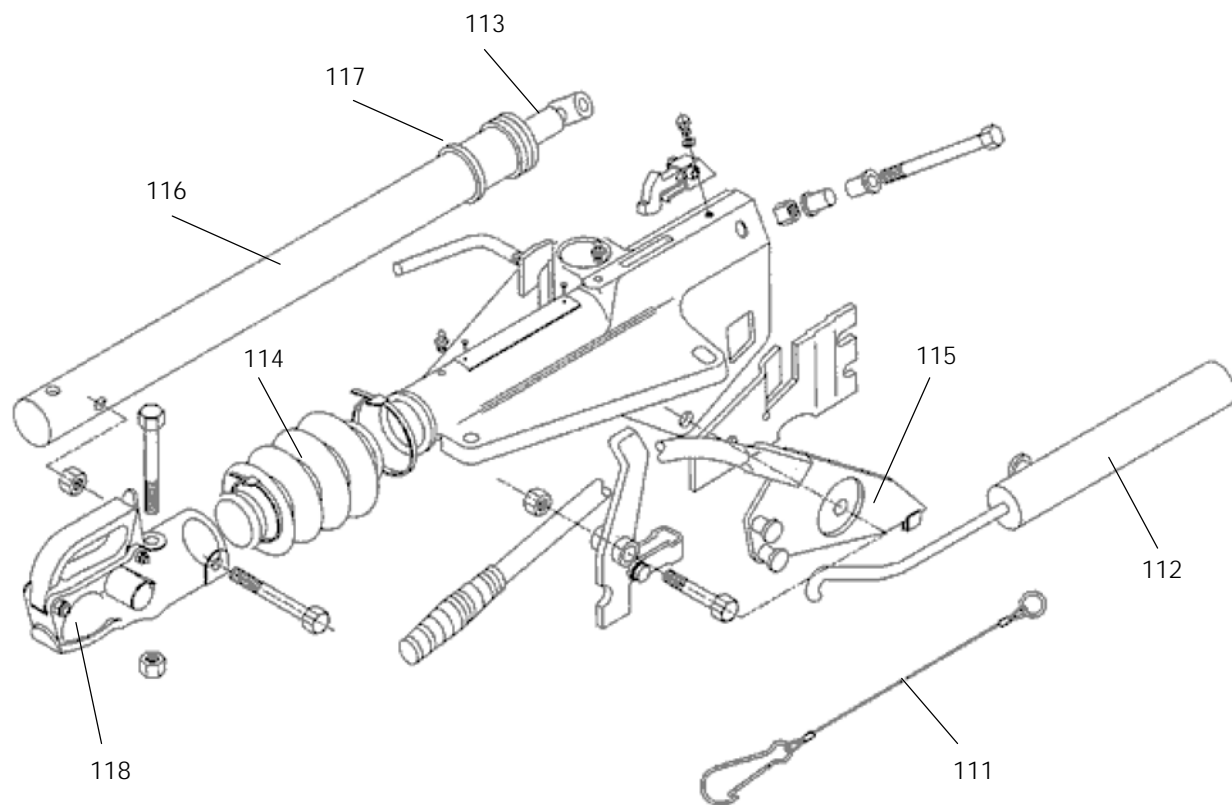
Clydesdale Ltd.

Instal House, 3 Sunbeam Road,
Woburn Road Ind. Est., Kempston,
Bedfordshire MK42 7BZ
United Kingdom

Tel: +44 (01234) 855855
Fax: +44 (01234) 855800
E-mail: sales@clydesdale.ltd.uk
www.clydesdale.ltd.uk

COUPLING COMPONENTS:

Serial No's up to CLY 1356.
(Prior to Dec 2001)



Ref #	Part #	Description	Qty
111	ZZ 300 2003	BREAK AWAY CABLE	1
112	ZZ 300 2005	ENERGY STORE	1
113	ZZ 300 2201	DAMPER	1
114	ZZ 300 2202	BELLOWS	1
115	ZZ 300 2204	BRAKE LEVER ASSY BENT	1
116	ZZ 300 2206	DRAWTUBE	1
117	ZZ 300 2207	STOP RING	3
118	ZZ 300 2228	40MM CAST EYE	1
	ZZ 300 2248	76MM NATO EYE	1
	ZZ 300 2258	50MM BALL AUTO-HEAD	1

Clydesdale Ltd.

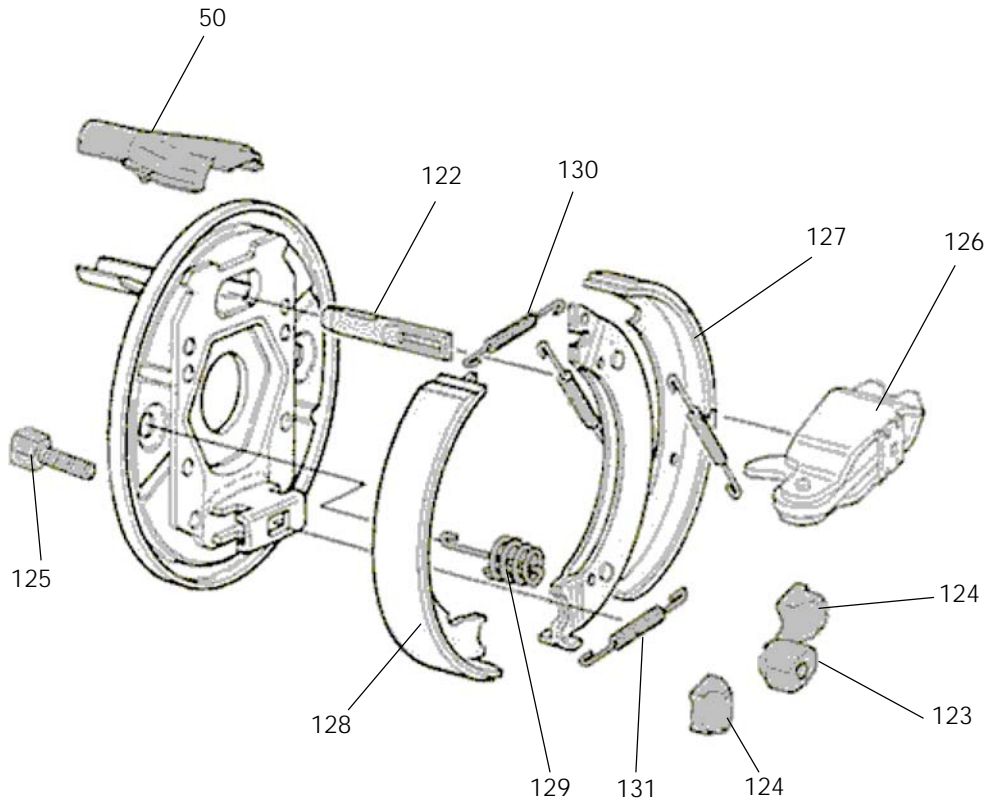
Instal House, 3 Sunbeam Road,
Woburn Road Ind. Est., Kempston,
Bedfordshire MK42 7BZ
United Kingdom

Tel: +44 (01234) 855855
Fax: +44 (01234) 855800
E-mail: sales@clydesdale.ltd.uk
www.clydesdale.ltd.uk

CHASSIS BRAKE COMPONENTS:

Serial No's up to CLY 1241 (Prior to Jan 96) &
Serial No's CLY 1365 and up (Post Jan 2003)

CLYDESDALE
Powering the Future



Ref #	Part #	Description	Qty
50	ZZ 315 1701	BOWDEN SHELL	2
122	ZZ 315 1702	EYELET	2
123	ZZ 315 1703	WEDGE	2
124	ZZ 315 1704	ADJUSTER POST	4
125	ZZ 315 1705	BOLT	2
126	ZZ 315 1706	EXPANDER	2
127	ZZ 315 1707	SLIDING SHOE ASSEMBLY	2
128	ZZ 315 1708	FIXED SHOE	2
129	ZZ 315 1709	SPRING - SHOE STEADY	2
130	ZZ 315 1710	SPRING TENSION EXPANDER	2
131	ZZ 315 1711	SPRING TENSION ADJUSTER	2

Clydesdale Ltd.

Instal House, 3 Sunbeam Road,
Woburn Road Ind. Est., Kempston,
Bedfordshire MK42 7BZ
United Kingdom

Tel: +44 (01234) 855855
Fax: +44 (01234) 855800
E-mail: sales@clydesdale.ltd.uk
www.clydesdale.ltd.uk

CLYDESDALE Ltd. Specialist manufacturer and supplier of overhead line and underground cable installation equipment, associated tools and personal protective equipment (PPE).



www.clydesdale.ltd.uk

Clydesdale Ltd.

Instal House, 3 Sunbeam Rd,
Woburn Rd Industrial Estate
Kempston, Beds MK42 7BZ
Tel: (0044) (0) 1234 855855
Fax: (0044) (0) 1234 855800