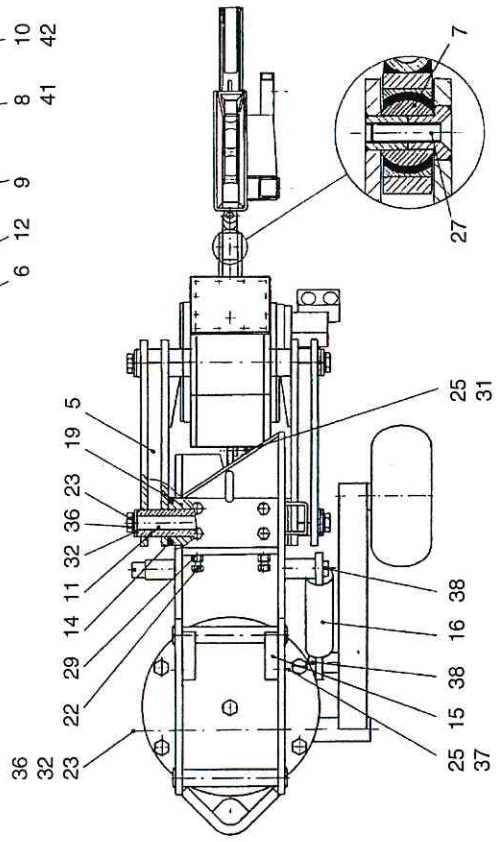
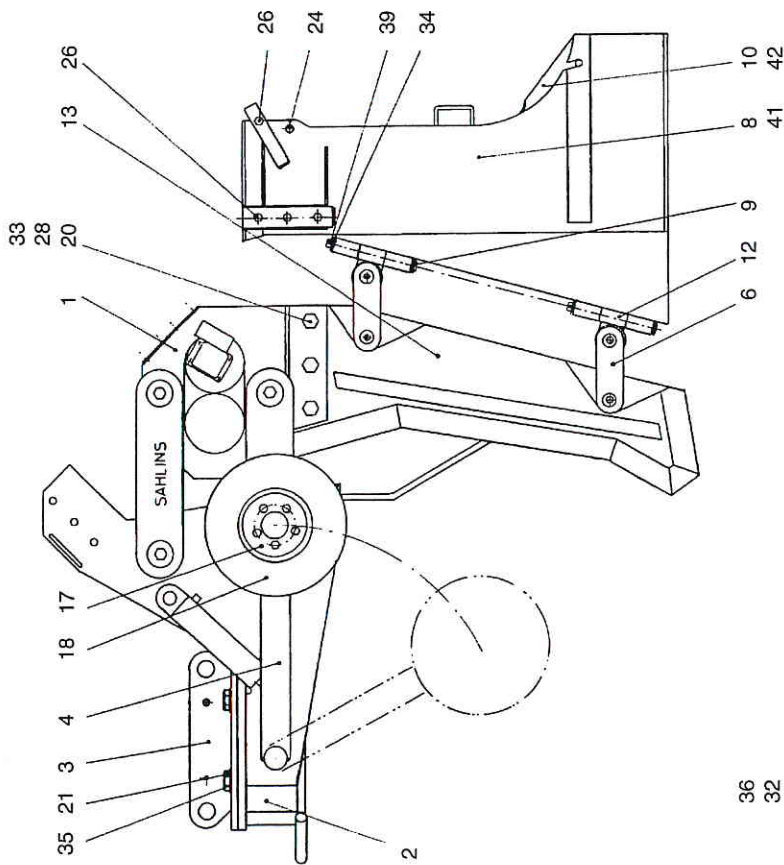


1	4080-2010	Complete vibrator housing	1
2	4080-5011	Back plate	1
3	4080-5012	Tool attachment	1
4	4080-2020	Support wheel (complete)	1
5	4080-5014	Linking arm	4
6	4080-2050	Linking arm complete (plough/cable chute)	2
7	4080-5016	Bushes	4
8	4090-1000	Cable chute - fibre-optic complete (1000-50)	1
9	9804-1862	Cotter pin 25x275	2
10	4090-5005	Cassette (1000 -50/45/45)	1
11	4080-5017	Axle	2
12	4080-2030	Link with rubber bush complete	2
13	4080-2040	Plough body (1000) complete	1
14	4080-5023	Nylon washer 8mm	4
15	4080-5021	Support	2
16	9651-070/40/01	Hydraulic cylinder	1
17	9581-001	Wheel complete (rim-tyre-inner tube)	1
18		Tyre inner tube	1
19	4080-5022	Shock absorber	2
20	9361-30160	Screw M30 x 160	3
21	9361-24060	Screw M24 x 60	5
22	9361-20060	Screw M20 x 60	16
23	9361-20050	Screw M20 x 50	5
24	9361-16090	Screw M16 x 90	1
25	9361-12050	Screw M12 x 50	4
26	9361-12020	Screw M12 x 20	4
27	9372-16060	Cap screw	4
28	9422-30	Locking nut M30	3
29	9421-20	Nut M20	16
30	9422-16	Locking nut M16	1
31	9422-12	Locking nut M12	2
32	9449-013	Washer	5
33	9441-310	Washer BRB 31	6
34	9449-022	Washer BRB2	2
35	9444-245	Spring washer FBB24.5	5
36	9444-202	Spring washer FBB20.2	5
37	9444-122	Spring washer FBB12.2	5
38	9343-0805	Ring cotter pin 08-52	2
39	9341-8050	Split cotter pin SSP8 x 50	2
40	4081-2040	Plough body (800)	1
41	4091-1000	Cable chute complete (800-65)	1
42	4091-5003	Cassette (800-65/40)	1
50	9631-316001	Hydraulic hose L-1600	1
51	9631-316501	Hydraulic hose L-1650	1
52	9632-R83586	Adaptor 1/2 - 3/8	4
53	9633-GBR 1/2	Steel washer (rubber covered) GBR 1/2	4
54	9634-501	Quick connector discon.coupl. female	1
55	9634-502	Quick connector discon.coupl. male	1
56	9635-50	Protective plug caps	2



Qty.

Part name

1	Vibrator housing	1
1	Cover	1
1	Driving axle	1
1	Axle	1
4	Weights	4
2	Gear wheel	2
1	Motor attachment cover	1
3	Cover	3
1	Connector	1
2	Axle	2
2	Spacing sleeve	2
1	Hydraulic motor	1
1	Valve block and valves	1
4	Spherical roller bearing	4
4	Sleeve bearing	4
4	Sleeve bearing	4
2	Flat key	2
3	Oil plug	3
1	O-ring 36 x 2	1
4	Grease nipples	4
4	Washer	4
4	Screw M20 x 50	4
4	Screw M20 x 50	4
4	Cap screw M8 x 35	4
4	Cap screw M8 x 25	4
36	Grease nipple	36
4	Locking screw M12	4
4	Spring washer FBB 20.2	4
4	Washer BRB13	4
40	Spring washer FBB8.2	40
4	Slide bearing	4
2	Hydraulic pipe L-4000	2
4	Adaptor 3/4" - 3/4"	4
4	Steel rubbercovered washer GBR 3/4	4
1	Quick connecting discon. coupl. female	1
1	Quick connecting discon. coupl. male	1
2	Protective plug caps	2

P/N

4080-5001
4080-5002
4080-5003
4080-5004
4080-5005
4080-5006
4080-5007
4080-5008
4080-5009
4080-5010
4080-5029
9641-02601
4080-4010
9219-001
9251-5060
9251-5030
9321-14036
9621-VSTIR3/8ED
9461-36020
9551-06
9449-004
9361-20050
9361-12100
9371-08035
9371-02025
9551-06
9422-12
9444-202
9441-130
9444-082
4080-5028
9631-640001
9632-R8351212
9633-GBR 3/4
9634-751
9634-752
9635-75

Ref.no.

1
2
3
4
5
6
7
8
9
10
11
12
13
14
15
16
17
18
19
20
21
22
23
24
25
26
27
28
29
30
31
40
41
42
43
44
45

