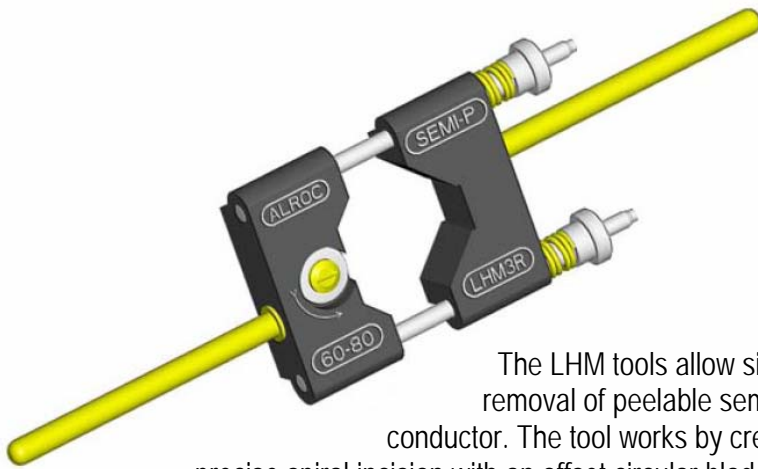


# CLY 370 LHM1R/2R

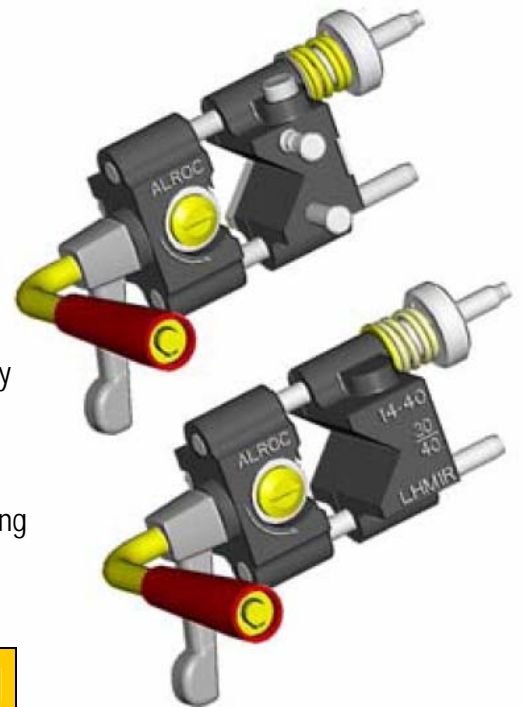
## Semi Con Cable Stripping Tool (Peelable)

### Data Sheet

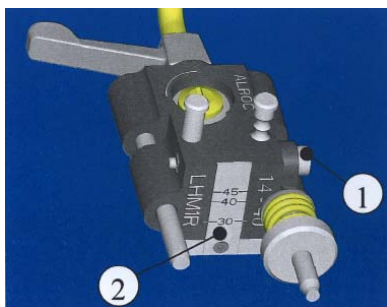
**CLYDESDALE**  
Powering the Future



The LHM tools allow simple and easy removal of peelable semi-conductor. The tool works by creating a precise spiral incision with an offset circular blade on the semi-conductor which allows it to be neatly unwrapped. The remaining length of exposed semi-con can be set depending on the tool used.



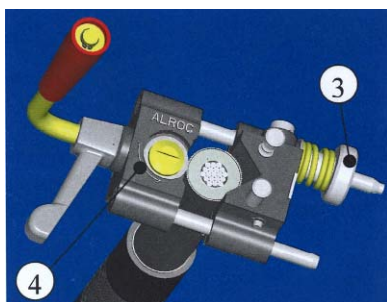
Part Number	Semi-Con Diameter	Length of Exposed Semi-Con Remaining	Weight
CLY 370 LHM1R	14-40mm	30/40mm	630g
CLY 370 LHM1RE	14-40mm	30/40/45mm	660g
CLY 370 LHM2R	38-60mm	30/40/45/55/60mm	900g
CLY 370 LHM3R	60-80mm	30mm	1770g



To operate, set the semi con remaining exposed length using knob (1) and rule (2). (With the LHM1RE, flip the tool 180° to desired setting 30/40mm).

Fit the tool on the cable, tighten knurled nut (3) fully closed then release a quarter turn.

Rotate tool in direction indicated (4) until the tool stops against the jacket. Remove tool and peel away semi-con.



### Clydesdale Ltd.

Instal House, 3 Sunbeam Road,  
Woburn Road Ind. Est., Kempston,  
Bedfordshire MK42 7BZ  
United Kingdom

Tel: +44 (01234) 855855  
Fax: +44 (01234) 855800  
E-mail: [sales@clydesdale.ltd.uk](mailto:sales@clydesdale.ltd.uk)  
[www.clydesdale.ltd.uk](http://www.clydesdale.ltd.uk)

DS 370 LHM1R/2R Rev0 CFB 20/07/06