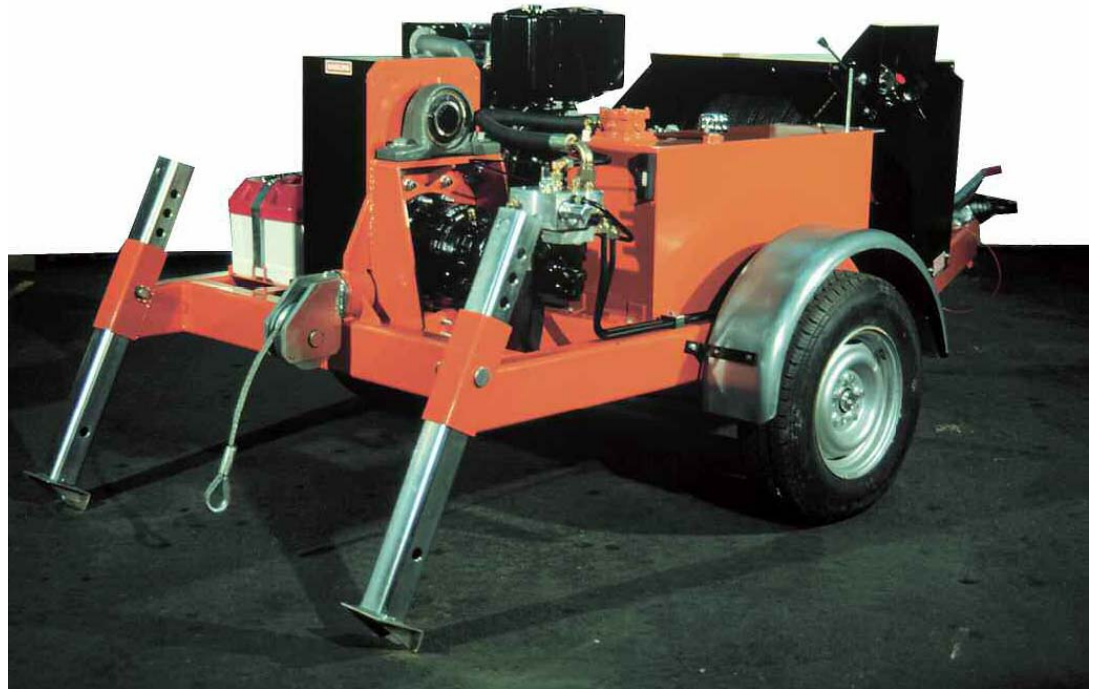


3300
3000kg Underground Cable Winch
Illustrated Parts List



Please quote any visible machine or part numbers
when ordering spares.

Clydesdale Ltd.



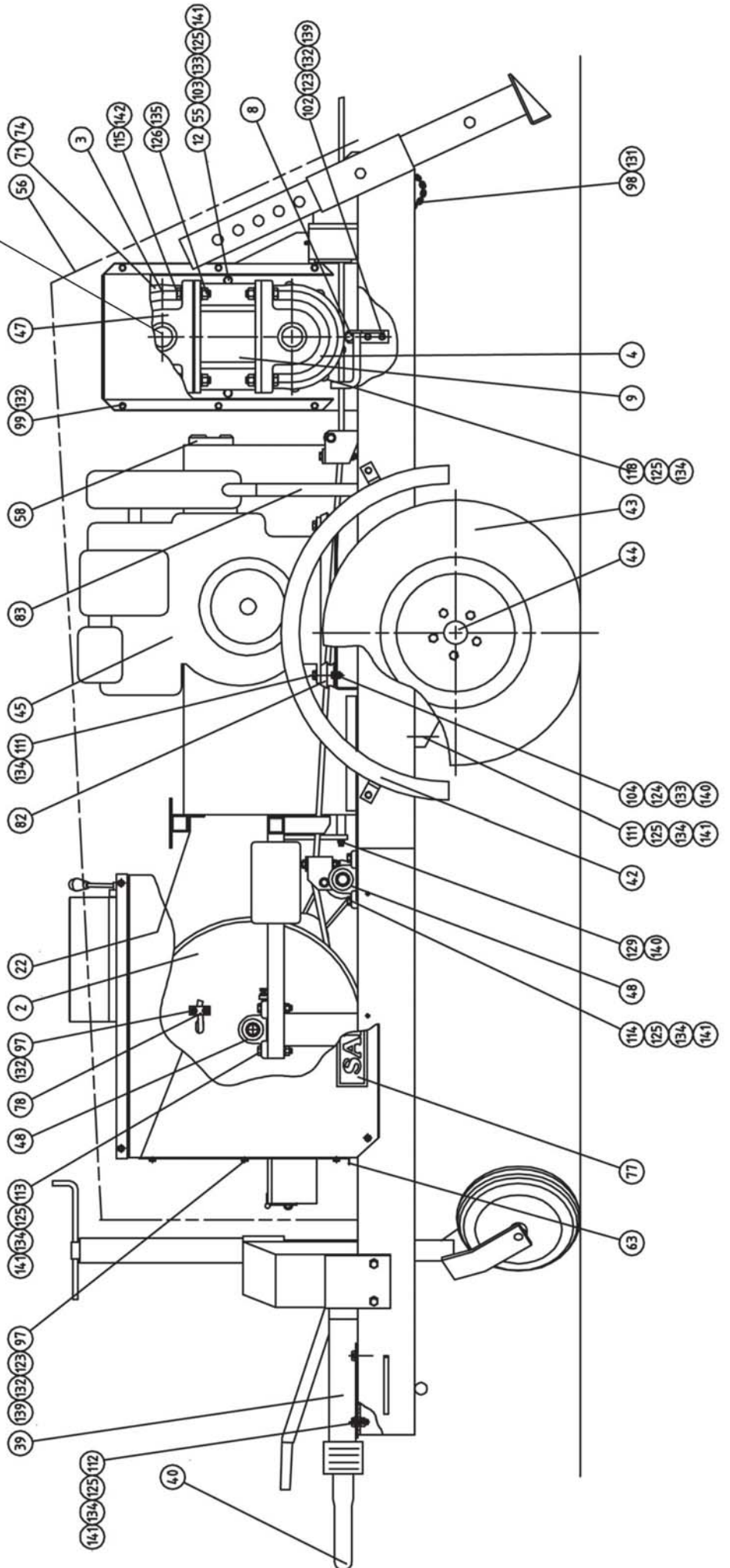
Instal House, 3 Sunbeam Road,
Woburn Road Ind. Est., Kempston,
Bedfordshire MK42 7BZ
United Kingdom

Tel: +44 (01234) 855855
Fax: +44 (01234) 855800
E-mail: sales@clydesdale.net
www.clydesdale.net
DP3300 CFB 25/06/07 Rev4

Side View

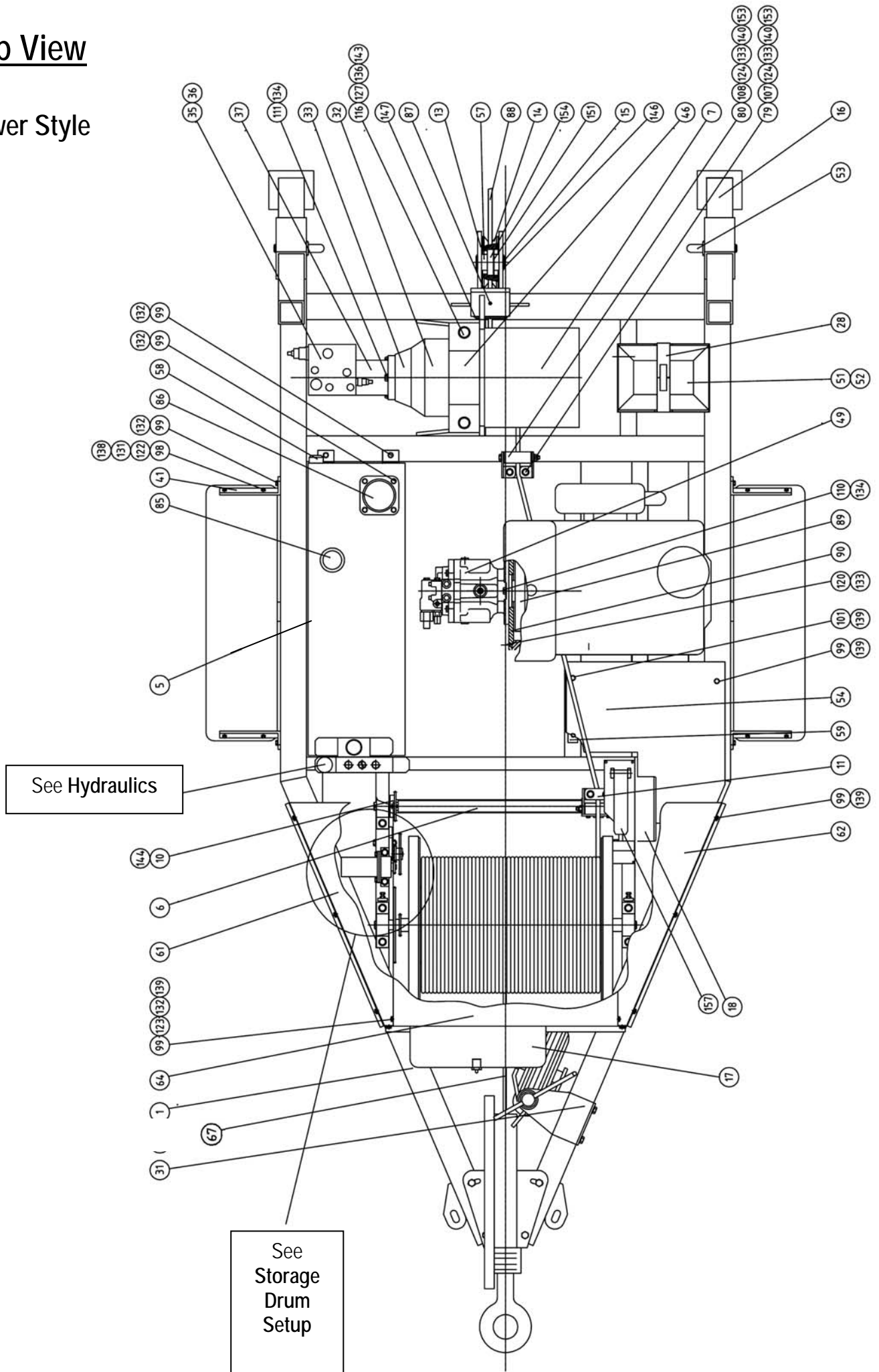
Newer Style

See Bullwheels



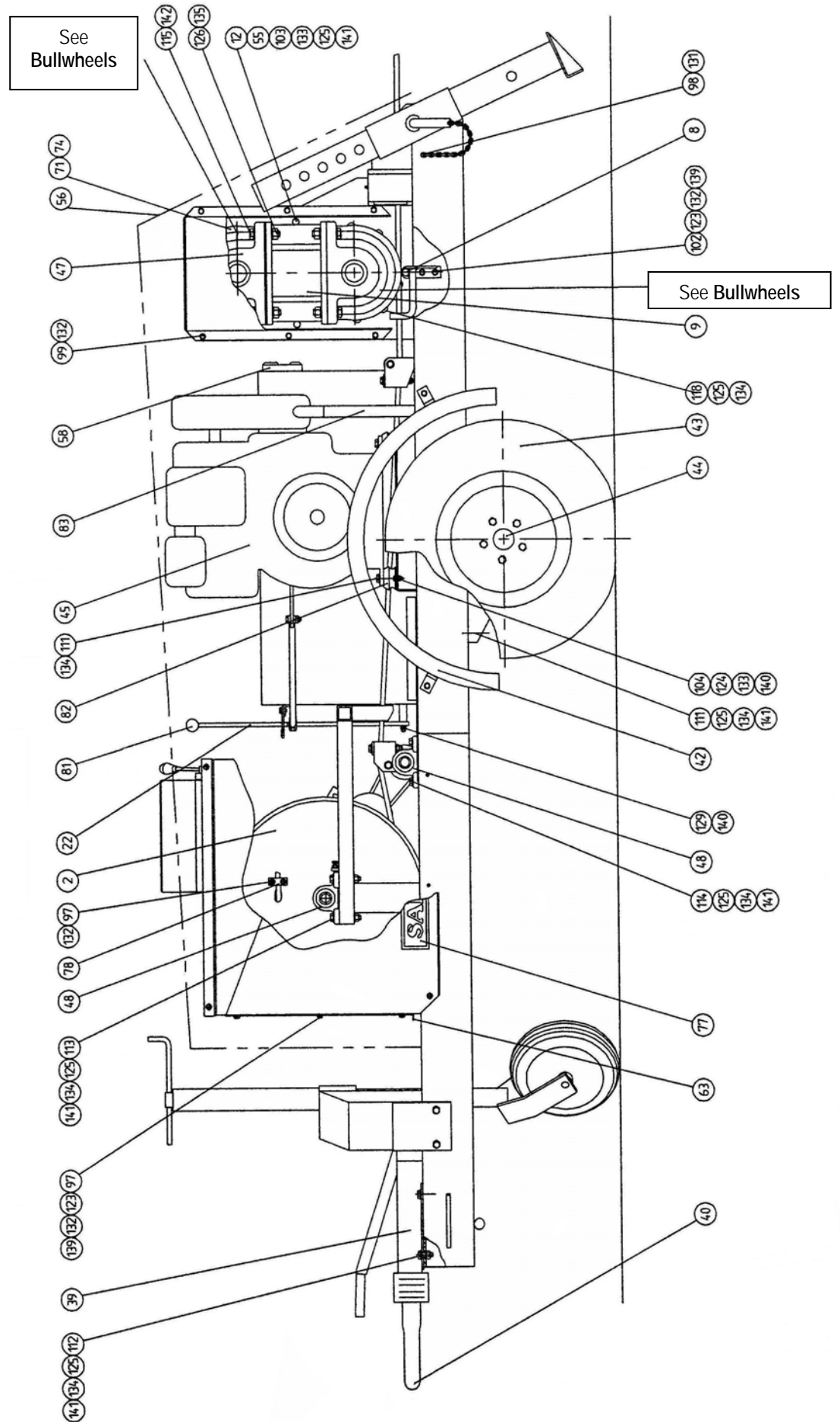
Top View

Newer Style



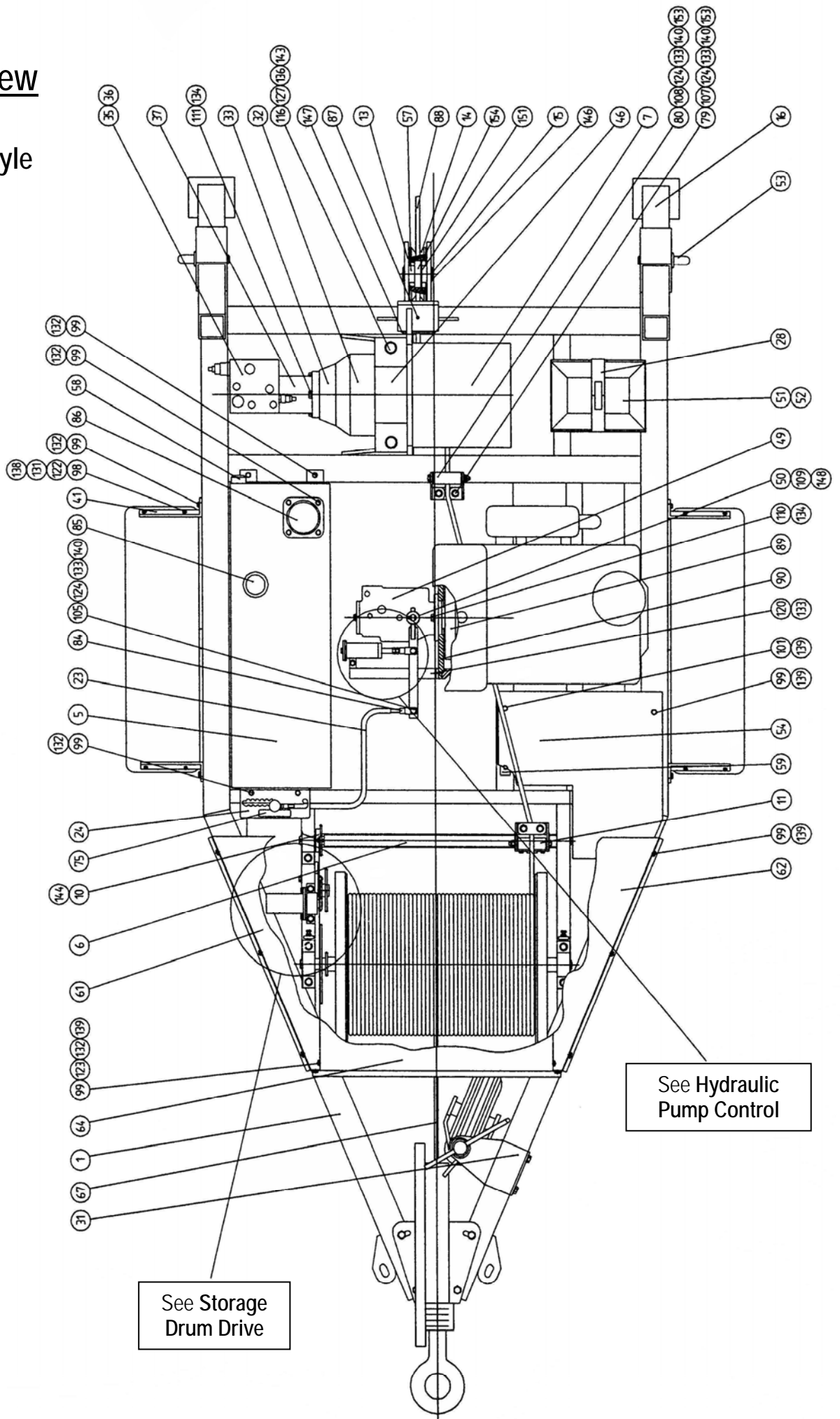
Side View

Older Style



Top View

Older Style

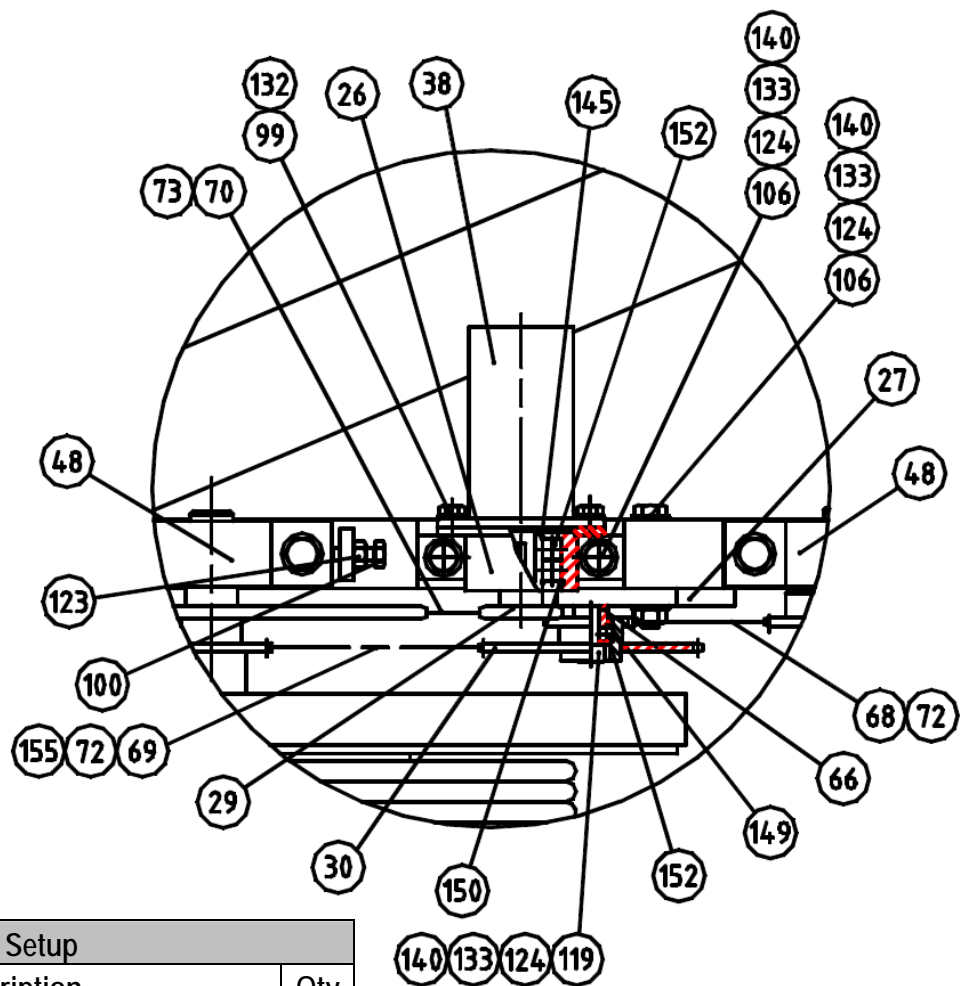


Side View & Top View			
Ref. No.	Part No.	Description	Qty
1	3300-5001	Frame	1
2	3300-5002	Drum	1
5	3300-5010	Hydraulic tank	1
6	3300-5011	Auto layering screw	1
7	3300-5012	Bullwheel protection	1
8	3300-5013	Sliding off guard - under	1
9	3300-5014	Shaft spacer	1
10	3300-5015	Chain wheel	1
11	3300-4010	Auto Layering Guide	1
	See Auto Layering Guide for Detail		
12	3300-5016	Sliding off guard - side	2
13	3300-5017	Housing - guide roller	1
14	3300-5018	Guide roller	1
15	3300-5019	Shaft for break roller	1
16	3300-5020	Support leg	2
22	3300-5026	Control Arm	1
23	3300-5027	Control Rod	1
24	3300-5028	Guide Plate	1
28	9819-005	Battery cover	1
31	9583-007	Support wheel	1
32	9680-004	Planetary gear	1
33	9686-001	Flange	1
35	3200-1040	Valve Block	1
36	3300-5048	Fitting Plate	1
37	9641-10202	Hydraulic motor	1
38	9641-03201	Hydraulic motor	1
39	9582-016	Push brake	1
40	9582-010	Towing eye	1
41	3300-5039	Mudflap fitting	4
42	3300-5042	Mudflap	2
43	9581-013	Wheel	2
44	9580-011	Axle 1800kg	1
45	9604-2801	Engine Lombardini	1
46	9231-313	Bearing housing	1
47	9231-310	Bearing housing	2
48	9231-205	Bearing housing	4
49	9642-00401	Transmission pump	1
50	3300-5037	Sleeve	1
51	9713-002	Battery box	1
52	9713-001	Battery	1
53	9804-2807	Locking pin	2
54	3300-5029	Ramp	1
55	3300-5043	Roller	2

Side View & Top View cont..			
Ref No.	Part No.	Description	Qty.
56	3300-0010	Cover	1
57	3300-5038	Spacer	2
58	9673-001	Level glass	1
59	3300-5032	Spacer	1
61	3300-5035	Casing - left section	1
62	3300-5036	Casing - right section	1
63	3300-5033	Casing - front section	1
64	3300-5034	Casing - upper section	1
67	3300-5040	Brake rod	1
71	9541-16B-1	Roller chain	1
74	9542-16B-2-A	Straight coupling link	1
76	9950-010	Sign	1
77	9950-211	Sign	2
78	3200-5063	Locking plate	1
79	3200-5054	Roller	2
80	3200-5008	Roller	1
81	9511-4012	Ball Handle	1
82	9503-002	Isolator	4
83	9609-002	Exhaust pipe	1
85	9674-002	Air bleed filter	1
86	9671-002	Hydraulic filter	1
87	9551-06	Lubriating nipple	1
88	7543-001	Steelwire	1
89	9604-5001	Coupling, Plastic (New machines)	1
	9610-100-03	Coupling, Rubber Spider (Old machines)	
90	9604-5002	Pump carrier	1
97	9361-06020	Screw M6S M6x20	4
98	9361-06030	Screw M6S M6x30	10
99	9361-08020	Screw M6S M8x20	39
101	9361-08050	Screw M6S M8x50	2
102	9361-08110	Screyv M6S M8x11 O	2
103	9361-10020	Screw M6S M1 Ox20	2
104	9361-10030	Screw M6S M1 Ox30	8
107	9361-10080	Screw M6S M1 Ox80	2
108	9361-10100	Screw M6S M1 Ox1 00	1
110	9361-12030	Screw M6S M12x030	2
111	9361-12040	Screw M6S M12x40	12

Side View & Top View cont....			
Ref No.	Part No.	Description	Qty
113	9361-12080	Screw M6S M12x080	4
114	9361-12120	Screw M6S M12x120	4
115	9361-16070	Screw M6S M16x70	4
116	9361-20080	Screw M6S M20x80	2
118	9372-12060	Allen screw MF6S M12x60	10
120	9369-008	Screw U6S 3/8" UNCx40	8
122	9421-06	Nut M6M M6	12
123	9421-08	Nut M6M M8	15
124	9421-10	Nut M6M M10	15
125	9421-12	Nut M6M M12	14
126	9421-16	Nut M6M M16	14
127	9421-20	Nut M6M M20	2
131	9444-061	Spring washer FBB 6, 1	15
132	9444-082	Spring washer FBB 8,2	42
133	9444-1 02	Spring washer FBB 1 0,2	16
134	9444-122	Spring washer FBB 12,2	26
135	9444-162	Spring washer FBB 16,2	4
136	9444-202	Spring washer FBB 20,2	2
138	9441-064	Washer BRB 6,4/12,5x1 ,6	12
139	9441-084	Washer BRB 8,4/17x1 ,6	15
140	9441-1 05	Washer BRB 10,5/21 x2	14
141	9441-130	Washer BRB 13/24x2,5	14
142	9441-170	Washer BRB 17/30x3	4
143	9441-210	Washer BRB 21/37x3	2
144	9374-08016	Stop screw S6SS M8x16	1
146	9302-040	Retaining ring	2
147	9302-090	Retaining ring	1
151	9301-080	Retaining ring	1
153	9201-6000-2	Grooved ball bearing	2
154	9201-6208-2	Grooved ball bearing	1
157	3300-5081	Drum Brake (excludes ram)	1

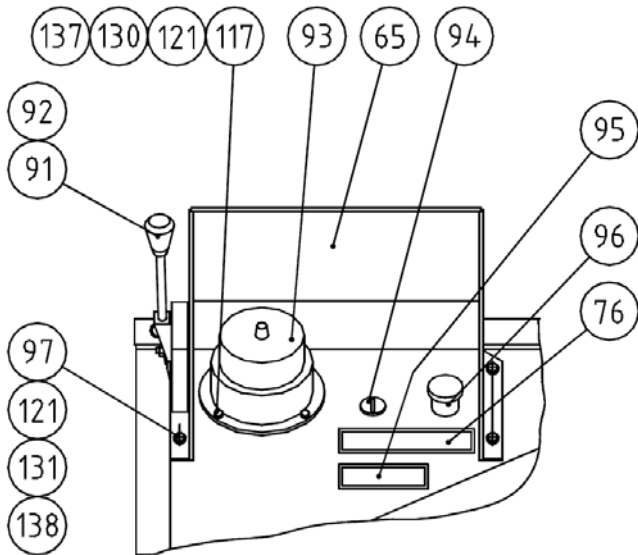
Storage Drum Drive



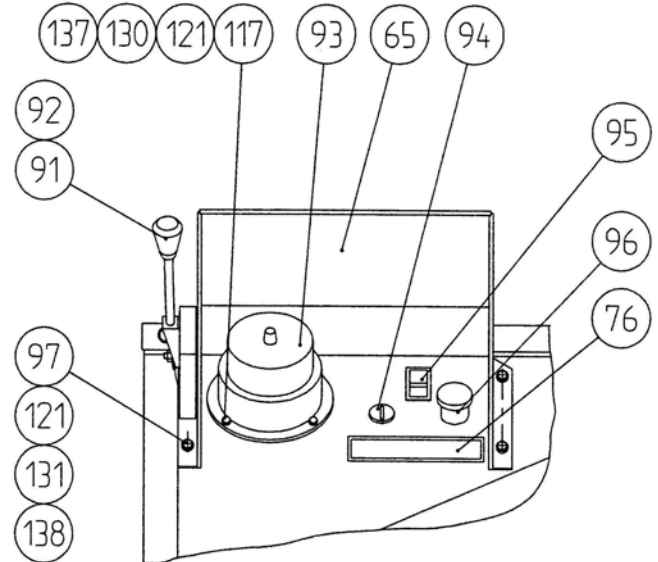
Drum Drive Setup			
Ref No.	Part No.	Description	Qty
26	3200-5040	Bearing housing	1
27	3200-5041	Chain tensioner	1
29	3300-5041	Chain wheel	1
30	3200-5056	Chain wheel	1
38	9641-03201	Hydraulic motor	1
48	9231-205	Bearing housing	1
66	3200-5062	Spacer pipe	1
68	3300-5044	Roller chain	1
69	3300-5045	Roller chain	1
70	3300-5046	Roller chain	1
72	9542-06B-1	Straight coupling link	1
99	9361-08020	Screw M6S M8x20	2
100	9361-08030	Screw M6S M8x30	2
106	9361-10060	Screw M6S M10x80	1
119	9371-10050	Allen screw MC6S M10x50	1
123	9421-08	Nut M8	2
124	9421-10	Nut M10	4
132	9444-082	Spring washer FBB 8,2	2
133	9444-102	Spring washer FBB 1 02	4
140	9441-1 05	Washer BRB 10,5/21 x2	4
145	9302-025	Retaining ring	1
149	9301-026	Retaining ring	1
150	9301-047	Retaining ring	1
152	9201-6005-2	Grooved ball bearing	2

Instrument Panel

Newer Version

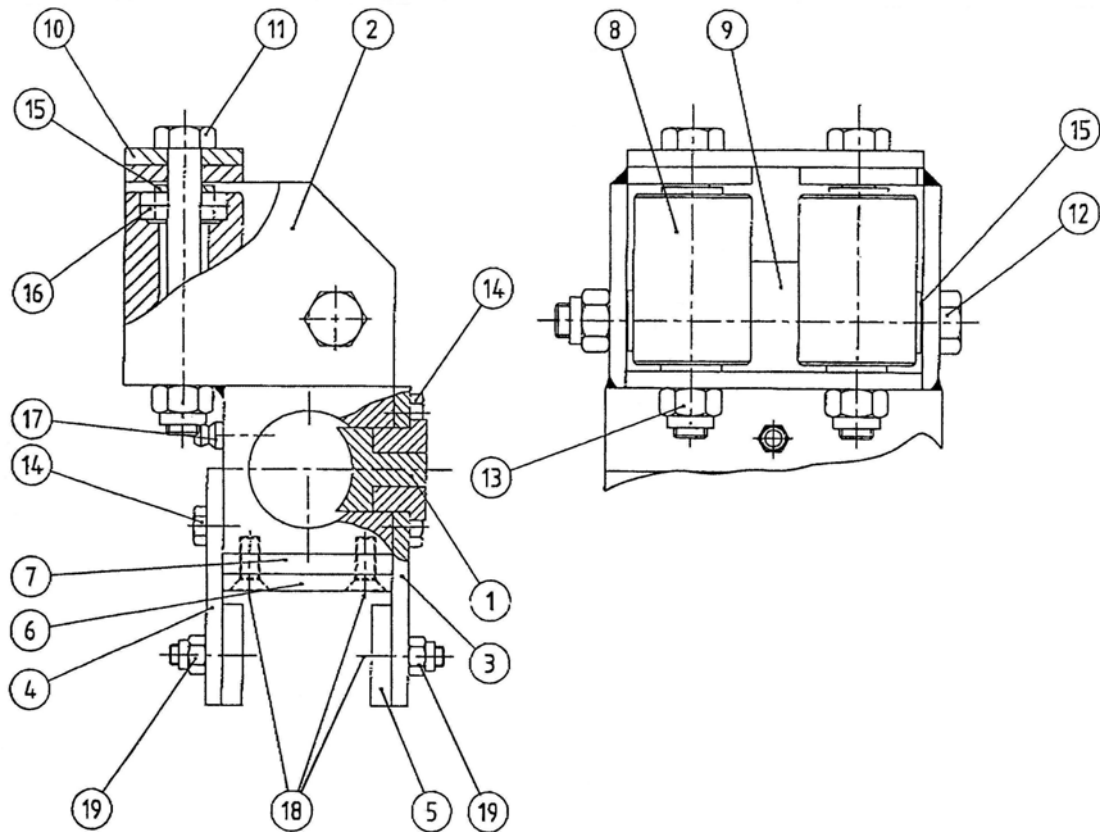


Older Version



Instrument Panel			
Ref No.	Part No.	Description	Qty
65	3200-5045	Instrument protection	1
76	9950-010	Sign	1
91	9609-003	Throttle control	1
92	9609-004	Throttle cable	1
93	9672-011	Manometer with electric contact	1
94	9604-5003	Ignition lock	1
95	9950-017	Indicator lamp	1
96	9711-009	Emergency switch	1
97	9361-06020	Screw M6S M6x20	4
117	9381-05015	Slotted screw ECS M5x15	3
121	9421-05	Nut M5	3
130	9441-051	Spring washer FBB 5, 1	3
138	9441-064	Spring washer FBB 6, 1	4

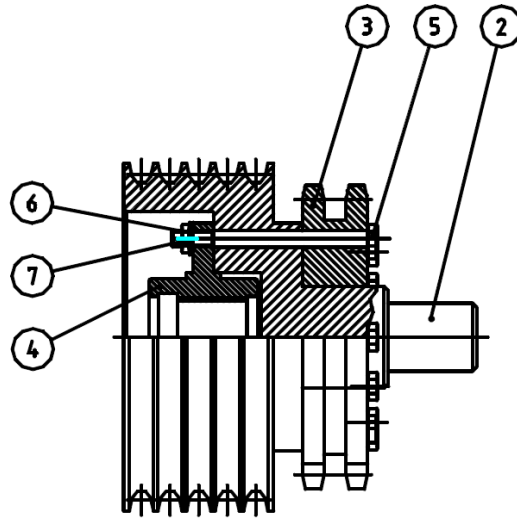
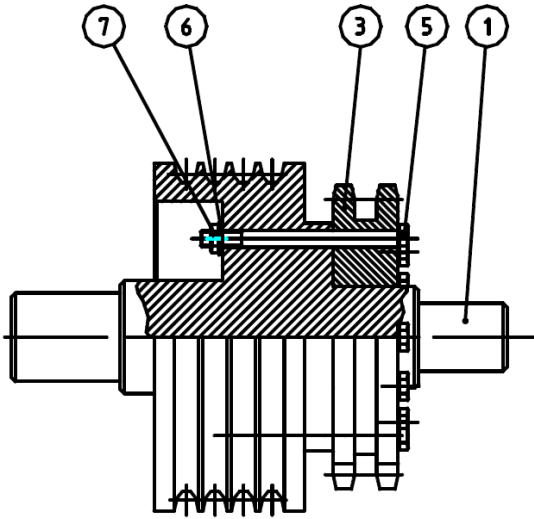
Linesreader Guide



Linesreader Guide			
Ref No.	Part No.	Description	Qty
1	3200-5052	Peg	1
2	3300-5007	Holder	1
3	3200-5051	Plate, Stop, Front	1
4	3200-5082	Plate, Stop, Rear	1
5	3200-5079	Slide, Front	1
6	3200-5080	Slide, Rear	1
7	3200-5083	Plate, Stop	1
8	3200-5054	Roller, Vertical	2
9	3300-5008	Roller, Horizontal	1
10	3300-5009	Plate, Top	1
11	9361-10080	Bolt, Hex M10 x 80	2
12	9361-10110	Bolt, Hex M10 x 110	1
13	9422-10	Nut, Nylock, M10	3
14	9361-06012	Bolt, Hex, M6 x 12	6
15	9441-084	Washer, Normal, M10	6
16	9201-6000-2	Bearing, 60002RS	6
17	9551-06	Grease Nipple, M6	1
18	9372-06016	Screw, C/Sunk M6 x 16	8
19	9422-06	Nut, Nylock, M6	4

Bullwheels

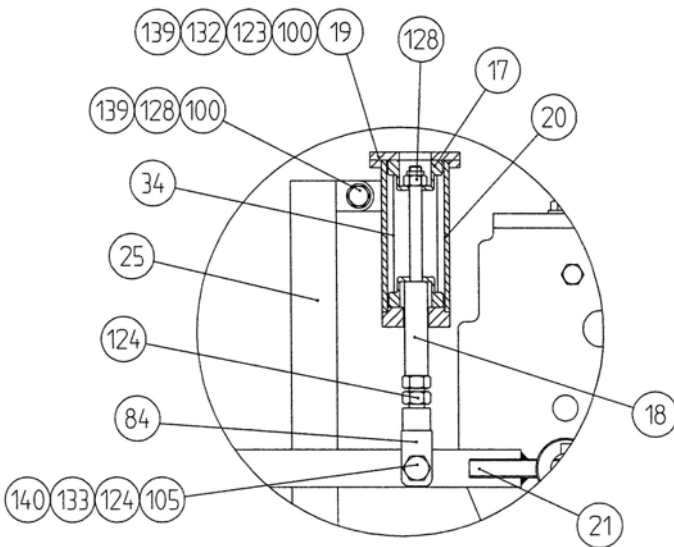
Bullwheels			
Ref No.	Part No.	Description	Qty
1	3300-5003	Wheel - upper	1
2	3300-5004	Wheel-lower	1
3	3300-5006	Chain wheel	2
4	9687-005	Flange	1
5	9361-12150	Screw M6S M12x150	24
6	9441-130	Washer BRB 13/24x2,5	24
7	9421-12	Nut M12	24



Hydraulic Pump Control

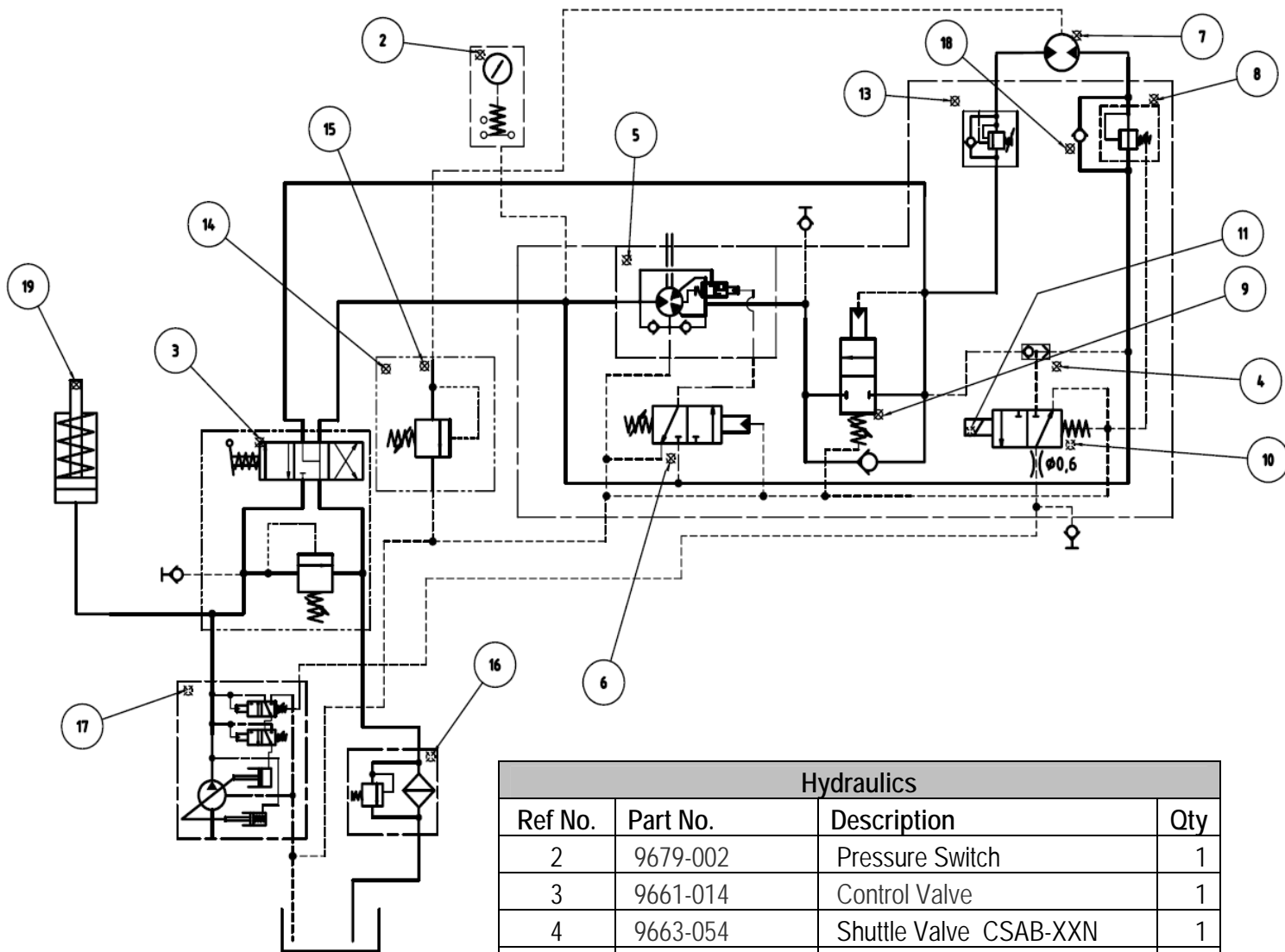
Older Style

Hydraulic Pump Control			
Ref No.	Part No.	Description	Qty
17	3300-5021	Guiding Bush	1
18	3300-5022	Shaft	1
19	3300-5023	Cap	1
20	3300-5024	Housing	1
21	3300-5025	Arm	1
25	3300-5031	Attachment	1
34	9481-004	Spring	1
84	9589-005	Fork	1
100	9361-08030	Screw M6S M8x30	1
105	9361-10040	Screw M6S M10x40	1
123	9421-08	Nut M8	1
124	9421-10	Nut M10	1
128	9422-08	Locking nut M8	1
132	9444-082	Spring Washer FBB 8,2	1
133	9444-102	Spring Washer FBB 10,2	1
139	9441-084	Washer BRB 8,4/17x1.6	2
140	9441-105	Washer BRB 10,5/21x2	1



Hydraulics

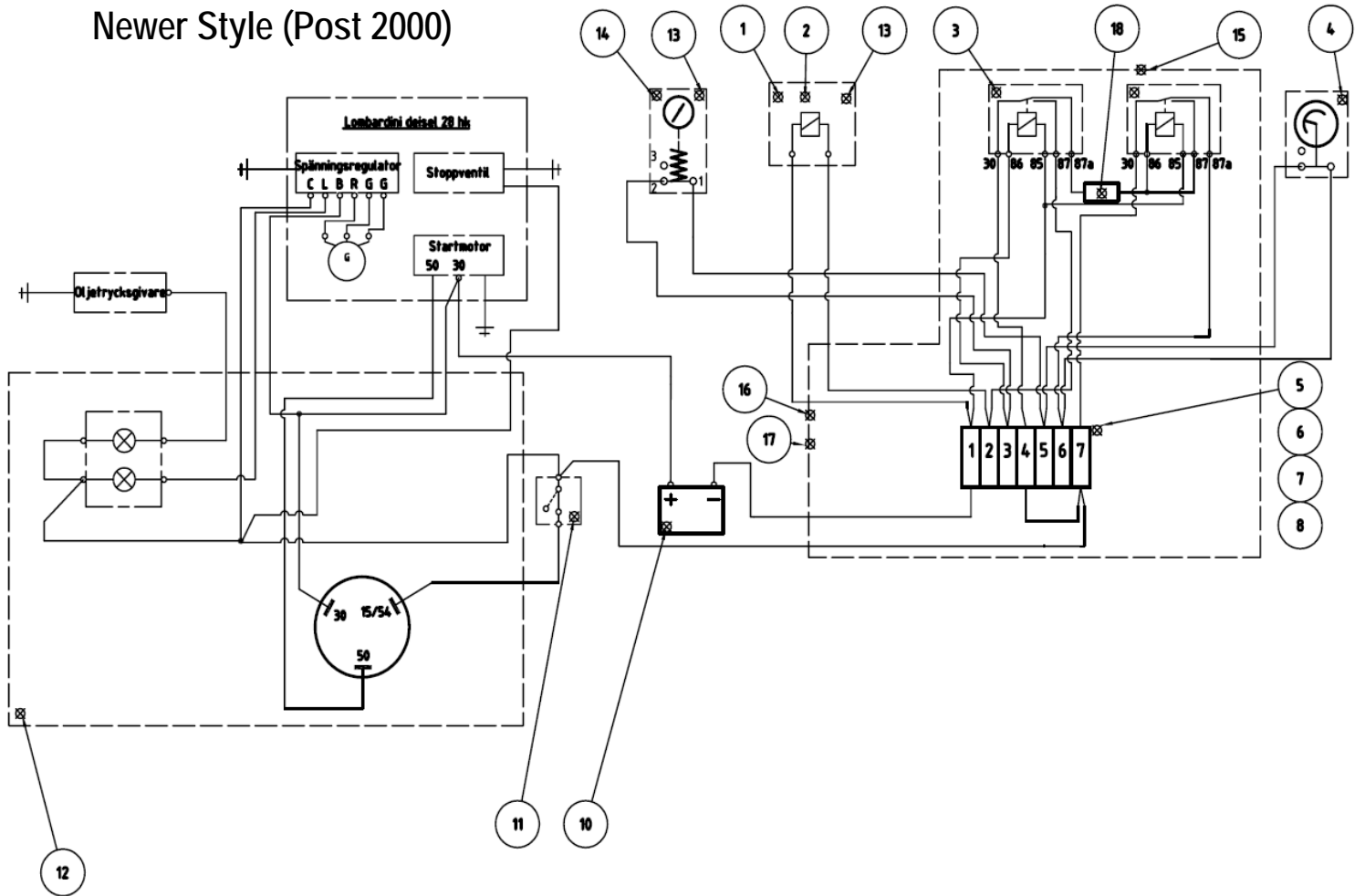
Newer Style (Post 2000)



Hydraulics			
Ref No.	Part No.	Description	Qty
2	9679-002	Pressure Switch	1
3	9661-014	Control Valve	1
4	9663-054	Shuttle Valve CSAB-XXN	1
5	9641-10202	Storage Drum Hyd Motor	1
6	9663-040	Directional Valve DPBC-LBN	1
7	9641-03201	Capstan Hyd Motor	1
8	9663-080	Reducer Valve PBDB-LAN	1
9	9663-071	Sequence Valve SCGA-LAN	1
10	9663-041	Spool Valve DMDA-MAN	1
11	9669-011	Solenoid 770212 12 VDC	1
13	9663-038	C/balance Valve CCCA-LHN	1
14	9663-023	Relief Valve RDBA-LDN	1
15	9668-008	ACT (HUS 1/4")	1
16	9671-006	Filter	1
17	9642-00401	Pump	1
18	9663-051	Check Valve CXDA-XAN	1
19	9651-032/12/1	Drum Brake Ram	1

Electrics

Newer Style (Post 2000)



Electrics			
Ref No.	Part No.	Description	Qty
1	9663-041	SHUT OFF VALVE	1
2	9669-011	SOLENOID 12 VDC	1
3	9711-003	RELAY CLOSING	2
4	9672-011	LOAD INDICATOR	2
5	9711-069	CONNECTION BLOCK 2.5	7
6	9711-070	END SOCKET	2
7	9711-072	MARKING TAPE	1
8	9711-071	DIN-RAIL	1
9	9711-062	8 AMP DIOD	1
10	9713-001	BATTERY 12 V 60 AH	1
11	9711-009	EMERGENCY SWITCH	1
12	IGNITION LOCK	MOVED TO PANEL	1
13	9669-010	HIRSCHMAN CONNECTOR	2
14	9679-002	PRESSOSTAT	1
15	3300-5072	CONNECTION BOX	1
16	9711-0001	SCREW CAP PG-11	4
17	9711-0004	NUT PG-11	4
18	9711-076	RESISTOR 27 OHM	1

CLYDESDALE Ltd. Specialist manufacturer and supplier of overhead line and underground cable installation equipment, associated tools and personal protective equipment (PPE).



www.clydesdale.ltd.uk

Instal House, 3 Sunbeam Rd,
Woburn Rd Industrial Estate
Kempston, Beds MK42 7BZ
Tel: (0044) (0) 1234 855855
Fax: (0044) (0) 1234 855800